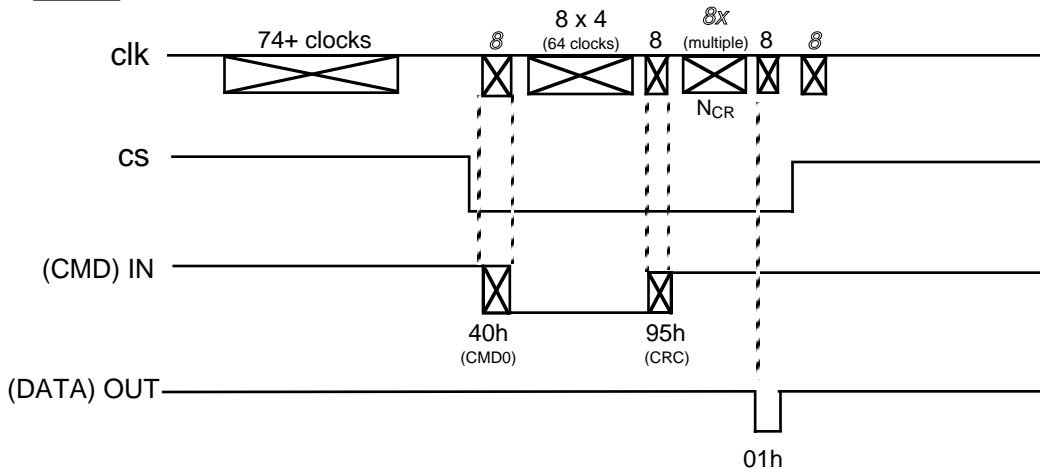
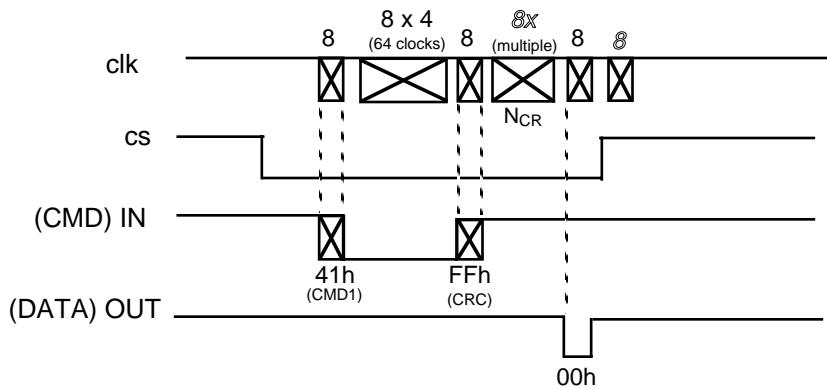


Reset

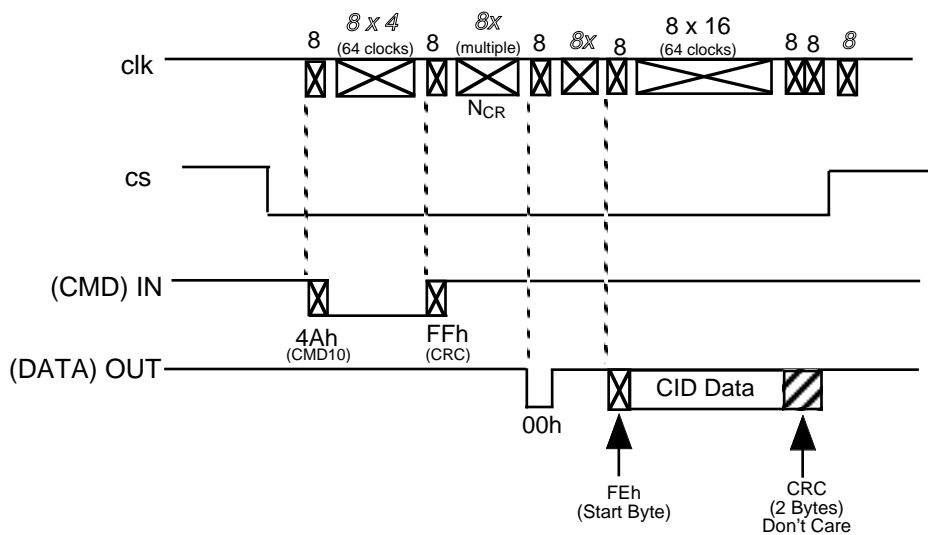


Init (CMD 1)

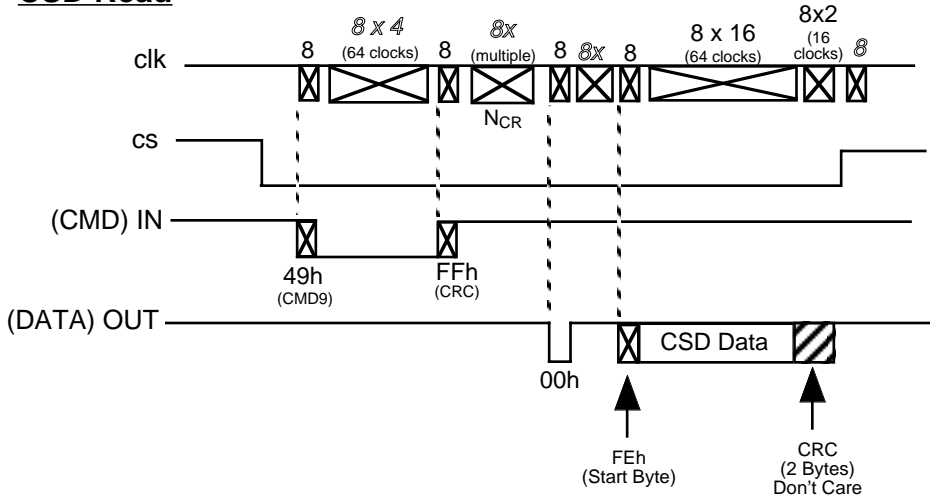


8 = Number of clocks
 8 = Number of "dummy" clocks
 8 x = Multiples of 8 clocks
 8x = Multiples of 8 "dummy" clocks
 8 x 4 = Fixed Multiple of 8 clocks
 01h = Value of Hexidecimal Data

CID Read

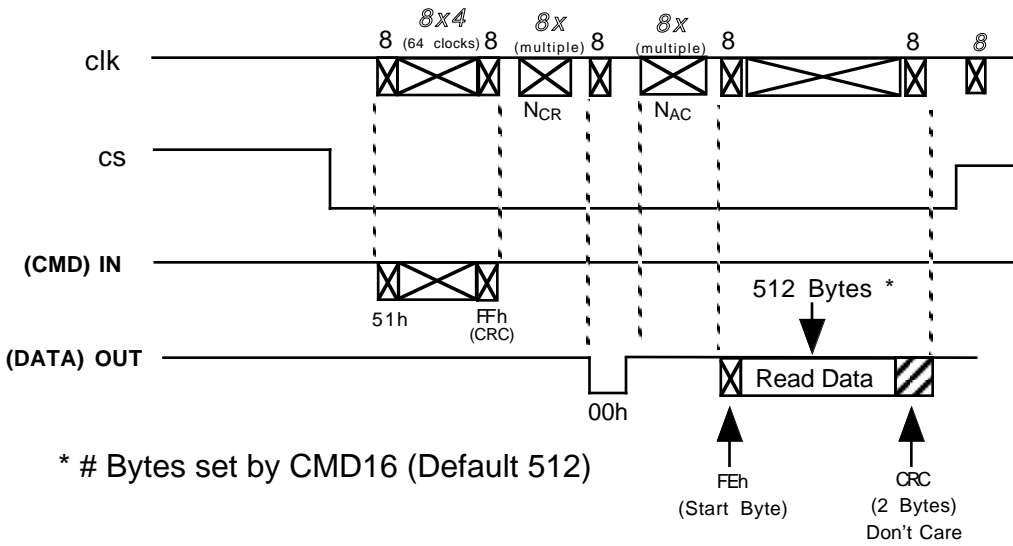


CSD Read



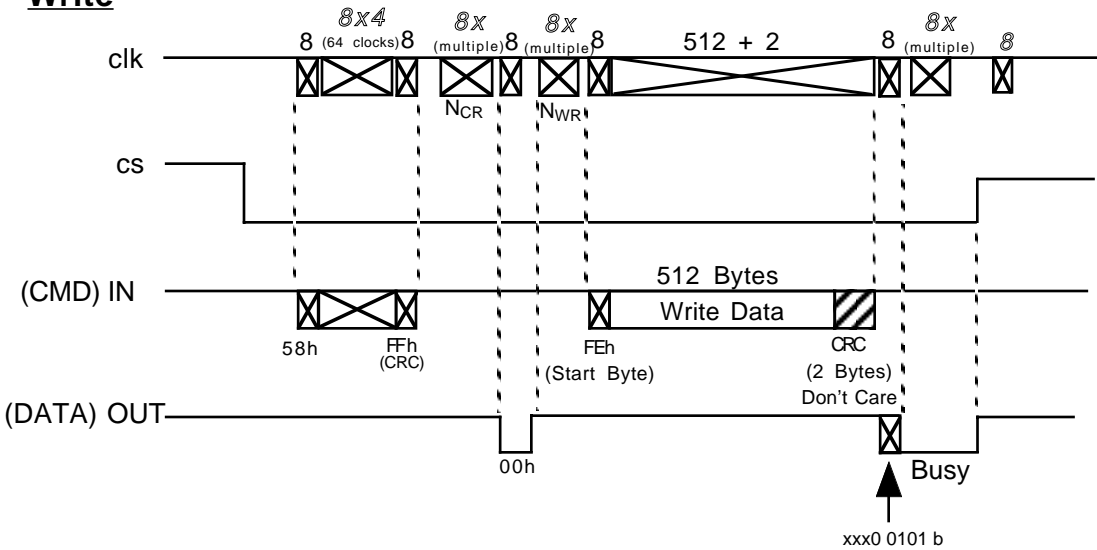
8 = Number of clocks
 8 = Number of "dummy" clocks
 8 x = Multiples of 8 clocks
 8x = Multiples of 8 "dummy" clocks
 8 x 4 = Fixed Multiple of 8 clocks
 01h = Value of Hexidecimal Data

Read

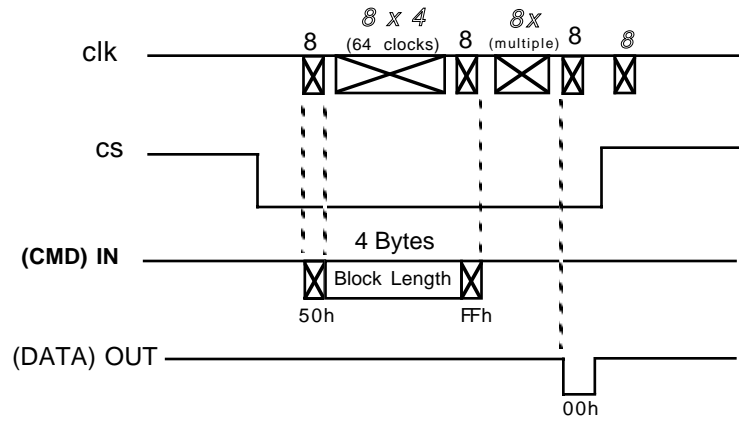


* # Bytes set by CMD16 (Default 512)

Write



Set Block Length



8 = Number of clocks
 8 = Number of "dummy" clocks
 8 x = Multiples of 8 clocks
 8x = Multiples of 8 "dummy" clocks
 8 x 4 = Fixed Multiple of 8 clocks
 01h = Value of Hexadecimal Data