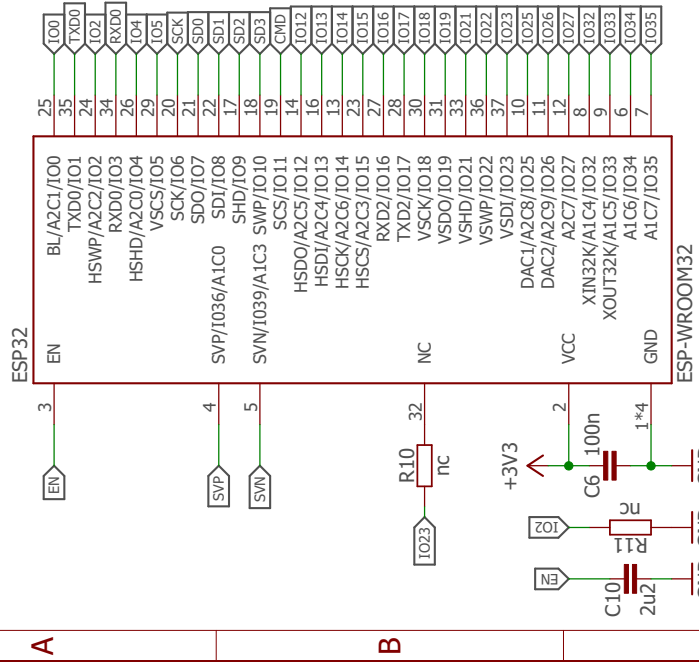
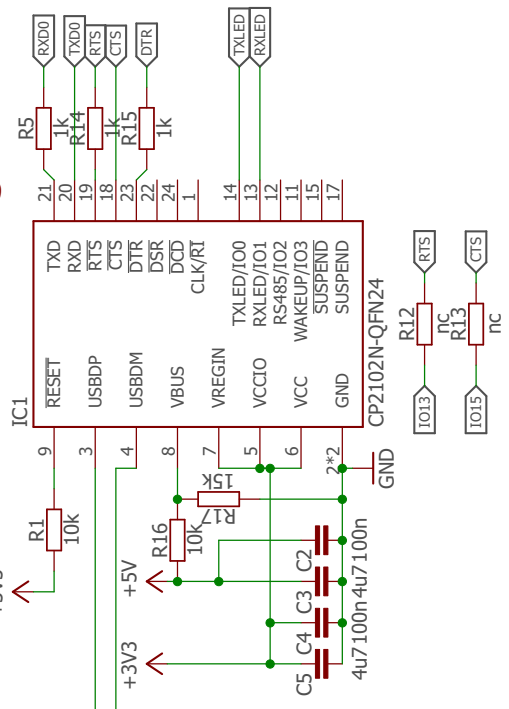


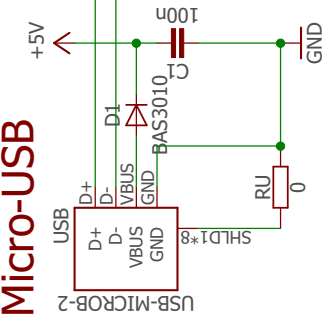
ESP-WROOM-32



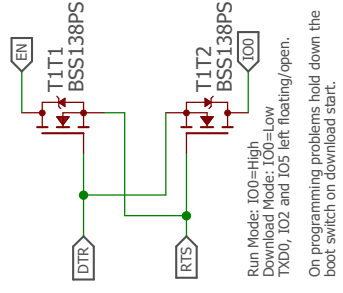
USB-UART-Bridge



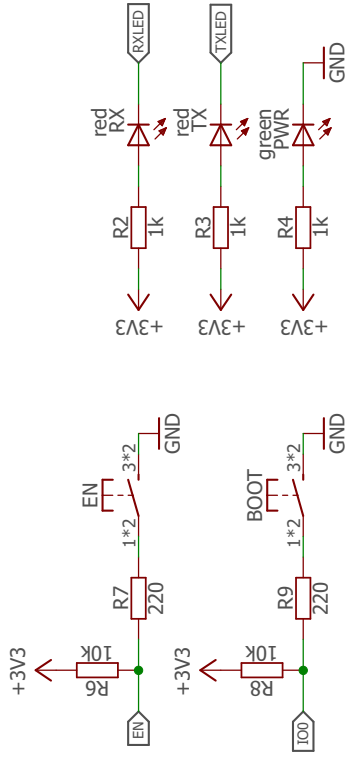
Micro-USB



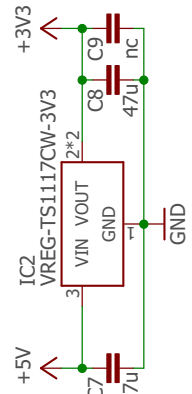
Programming Logic



Switches and Status LEDs



3V3 Regulator



Released under the Creative Commons Attribution Share-Alike License <http://creativecommons.org/licenses/by-sa/4.0/>

Designed by Andreas Watterott (Watterott electronic)
Inspired by the Espressif ESP32-DevKitC - <http://espressif.com>

www.watterott.com

ESP-µR00M32-Breakout_v1.2

27.04.2018 14:07

OS HW Watterott

