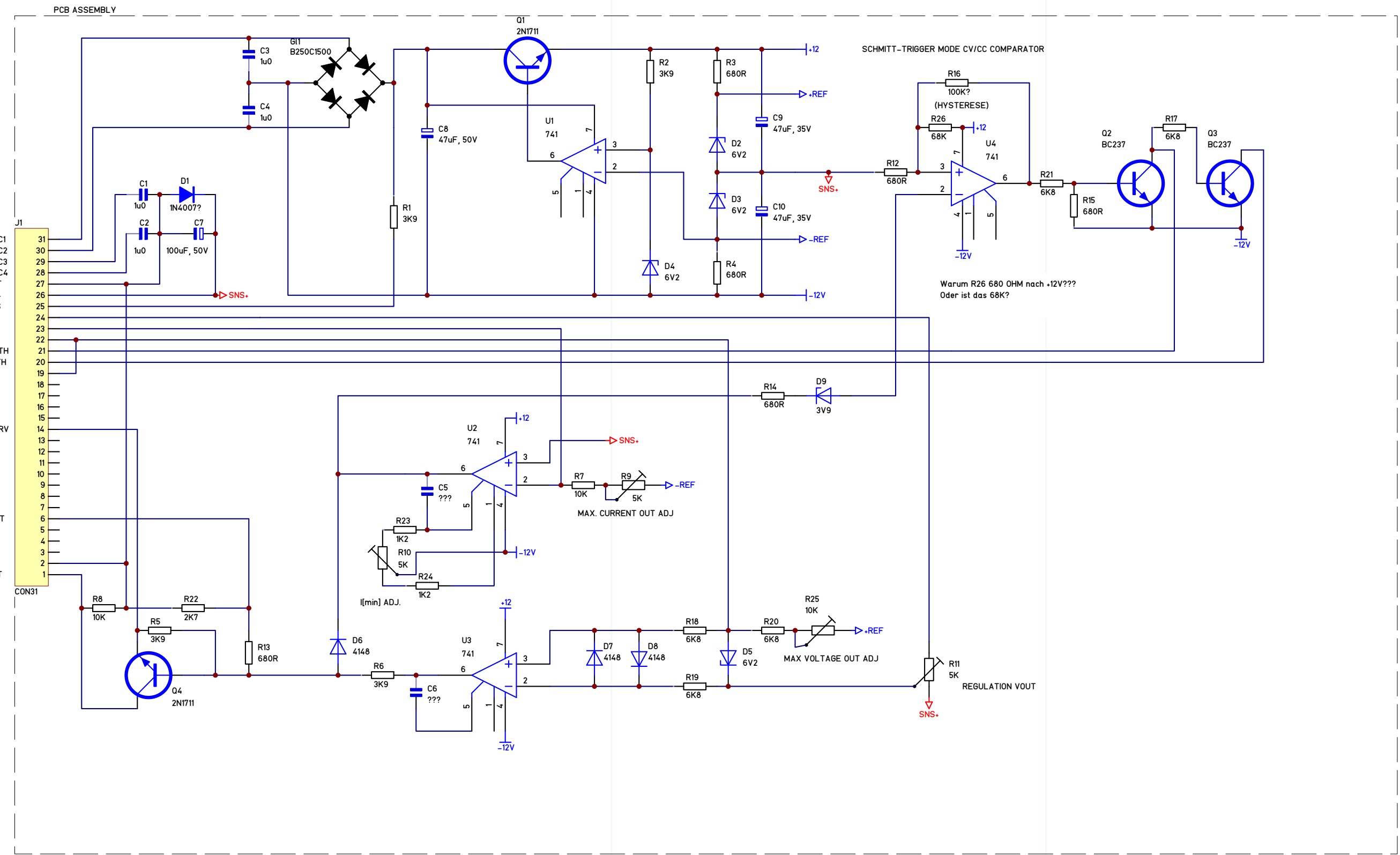


AC1 31
 AC2 30
 AC3 29
 AC4 28
 MINUS OUT 27
 SNS+ 26
 MODE LED ANODES 25
 SNS+ COMP 24
 ISET POT 23
 V-SET POT 22
 CC LED1 CATH 21
 CV LED CATH 20
 NOT CONN. 19
 18
 17
 16
 15
 14
 PASS TR. DRV 13
 12
 11
 10
 9
 8
 7
 6
 DRV RET 5
 4
 3
 2
 -INPUT 1



Warum R26 680 OHM nach +12V???
 Oder ist das 68K?

Unless otherwise specified, all values are as follows: resistor values are in Ohms, i.e. 0R47, 5R6, 220, 5K6, 22K capacitor values are in Microfarads, i.e. 220p, 0u1, 2u2, 33 inductor values are in Microhenries, i.e. 0u22, 5u6, 68, 2m2		PCB Name: <i>N/A</i>				Title: Forum Dual LNG Reglerteil			
		PCB Nr.: <i>N/A</i>				Used in			
This drawing is our property. Duplication, unauthorized use of any kind is prohibited. Without Approval use only for inquiry.		Approval:		PCB Type:		Scale:		Repl. for	
		Date		Name		Date		Name	
Drawn		7-Nov-2018		GJO				Prj. Nr. 13036	
Modified								Size: A3 Rev: 1.03	
Checked								Drw. Nr. 4415-XXXX	
<input type="checkbox"/> Prototype <input type="checkbox"/> Production <input type="checkbox"/> BOM Done?								File: <i>ForumLNG_BOARD_V103.sch</i>	
								Sheet 1 of 1	