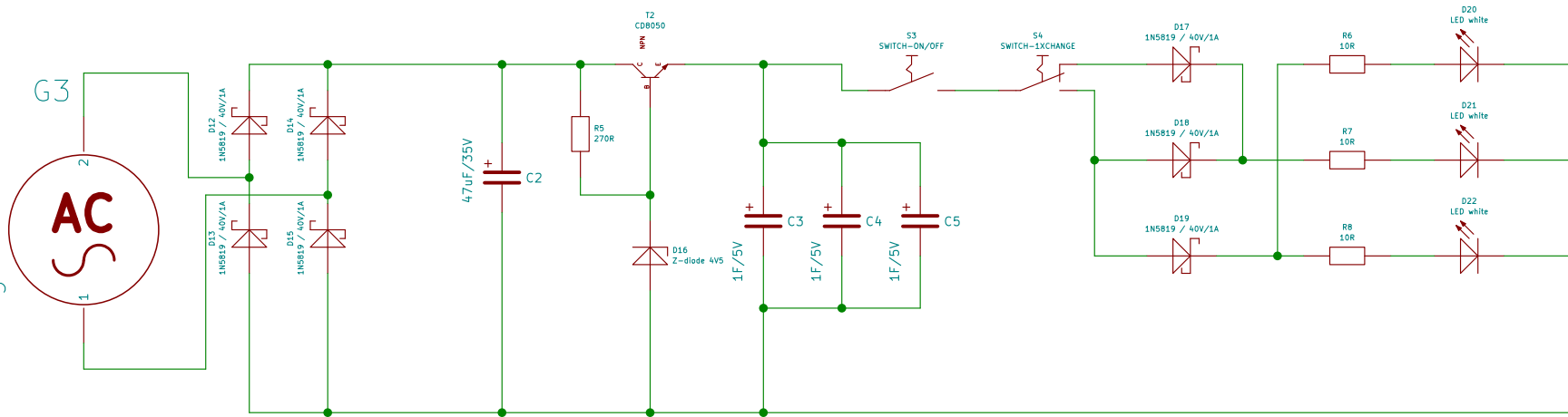


# CrankingGenerator-AC



Sheet: /CrankingTorchWithGoldCap/  
File: CrankingTorchWithGoldCap.sch

### Title:

Size: A4  
KiCad E.D.A. kicad 4.0.5+dfsg1-4

Date:

Rev:  
Id: 3/3