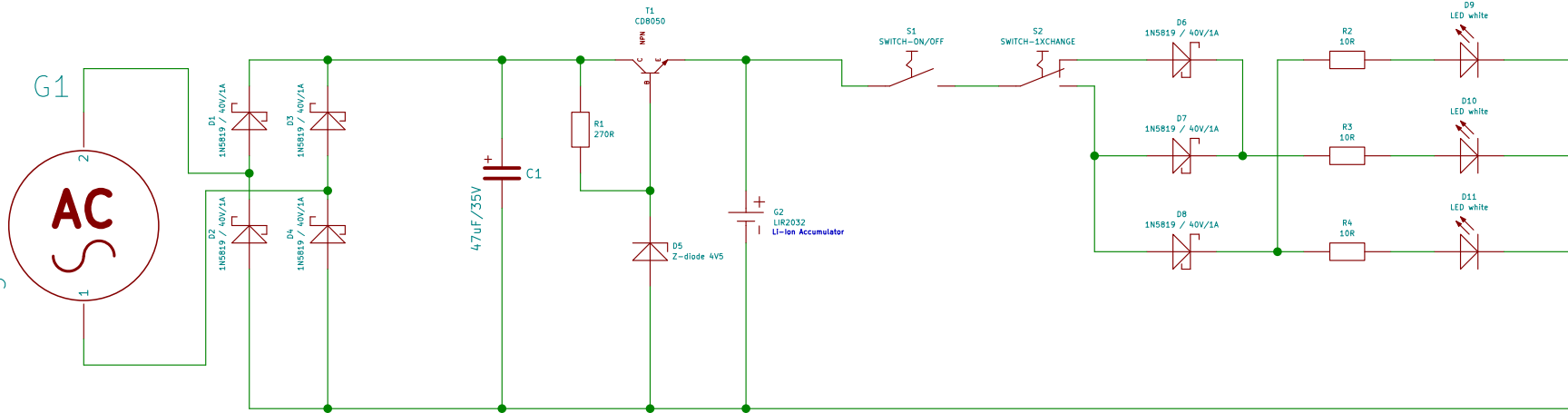


# CrankingGenerator-AC



Sheet: /CrankingTorchWithAccu/  
File: CrankingTorchWithAccu.sch

### Title:

Size: A4

Date:

KiCad E.D.A. kicad 4.0.5+dfsg1-4

Rev:

Id: 2/3