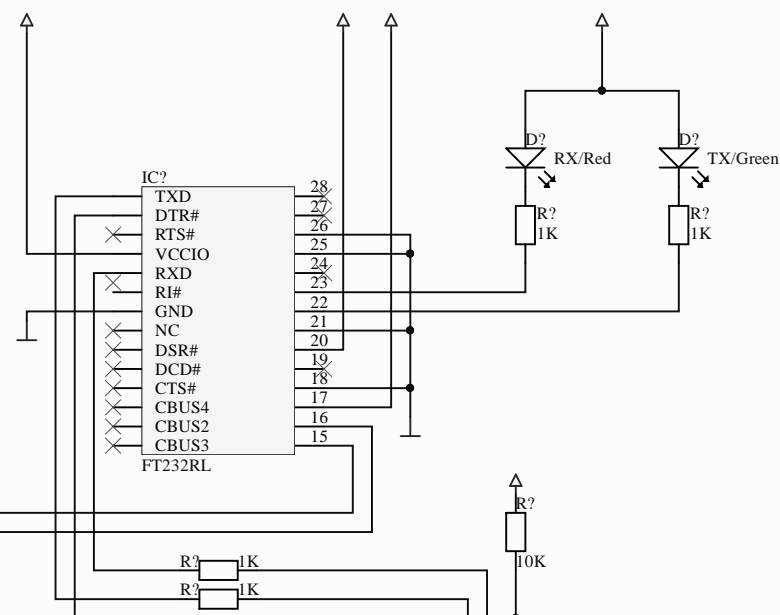
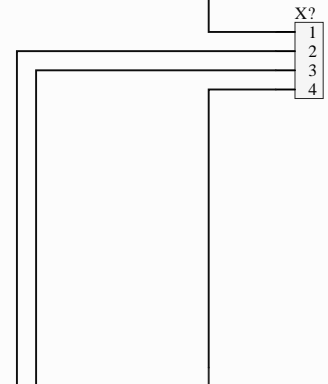


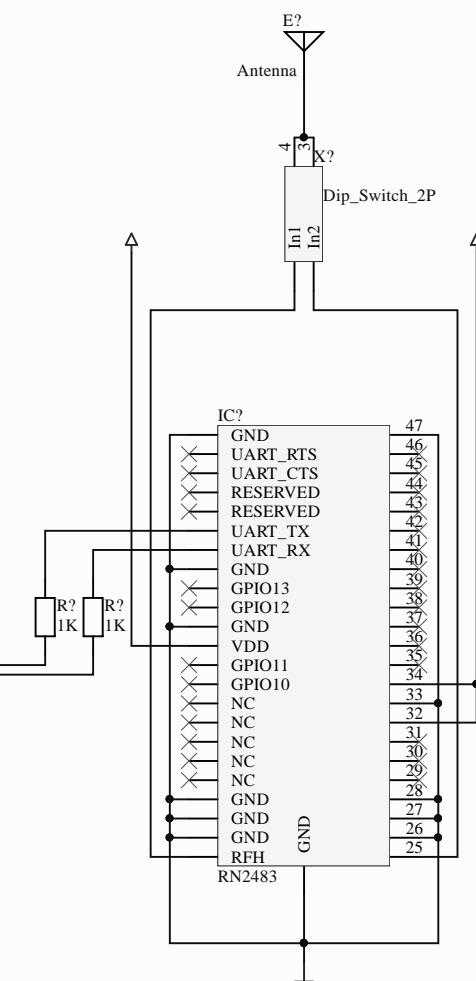
USB Connector



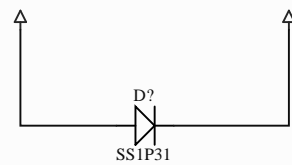
USB to Serial



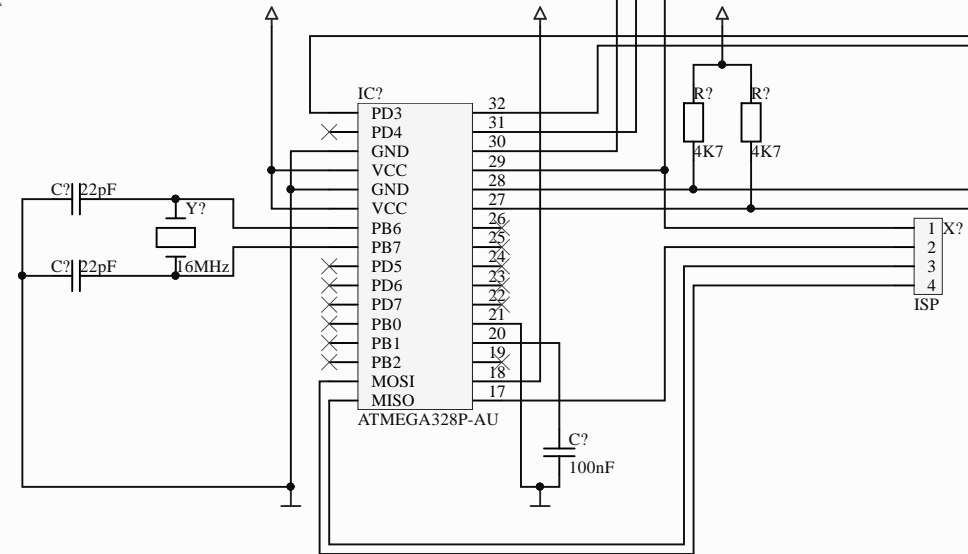
Connector Mainboard/Daughterboard



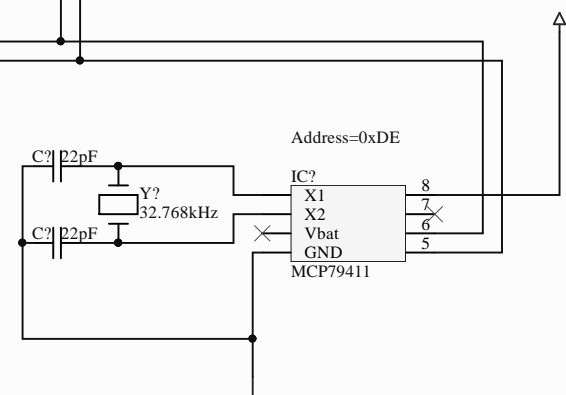
Lora-Chip



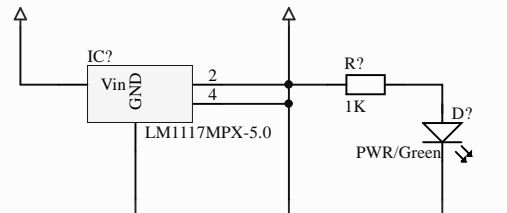
USB Power Regulator



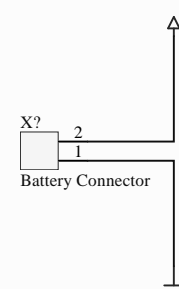
Mikrocontroller



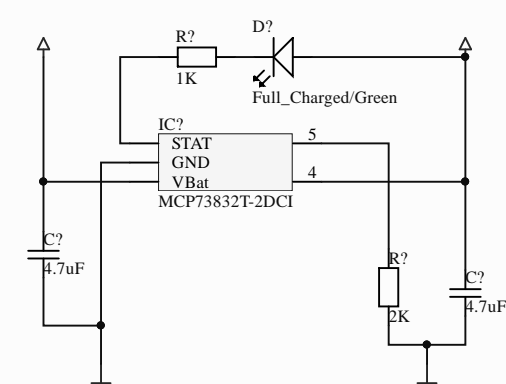
Real-Time-Clock (RTC)



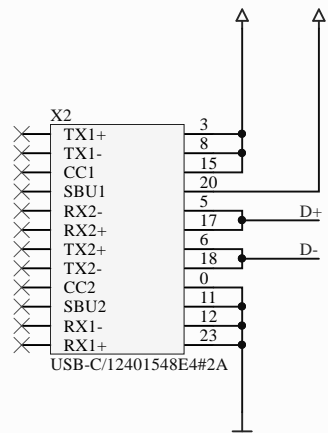
Vin/USB Power Auto Selector



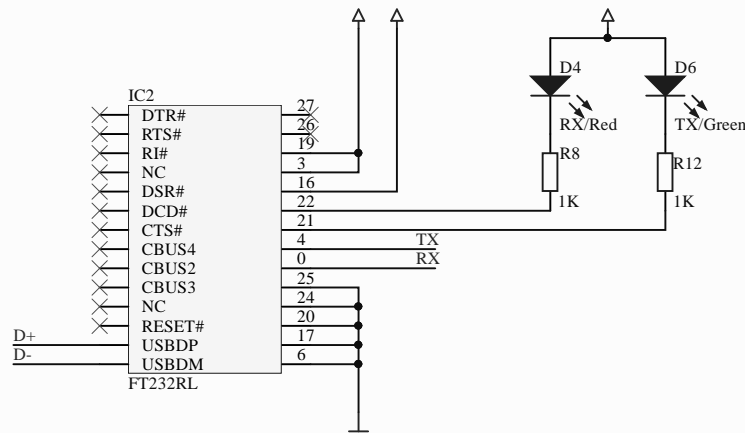
Connector for Battery



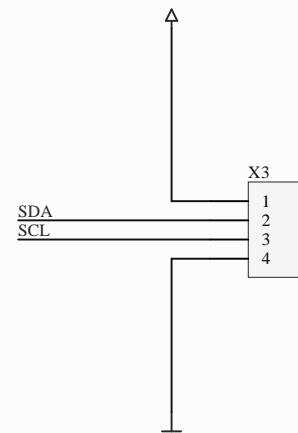
Charge Controller



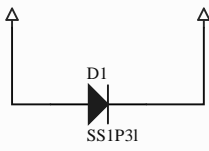
USB Connector



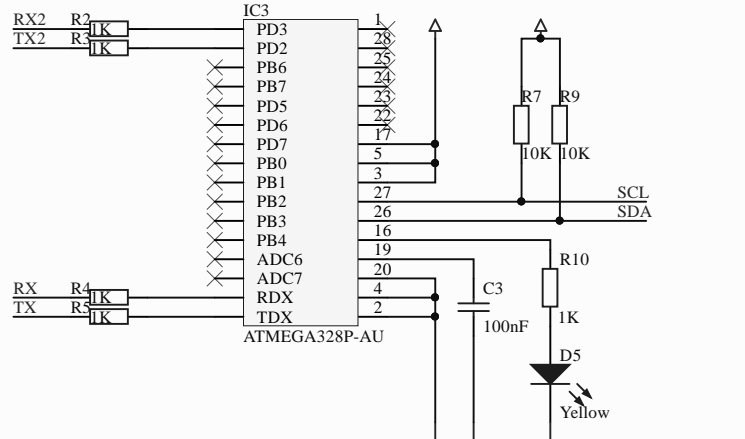
USB to Serial



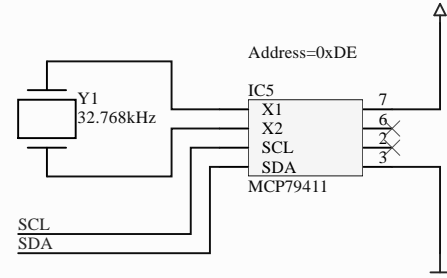
Connector Mainboard/Daughterboard



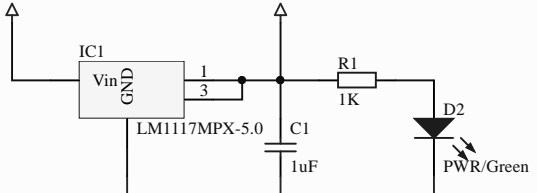
USB Power Regulator



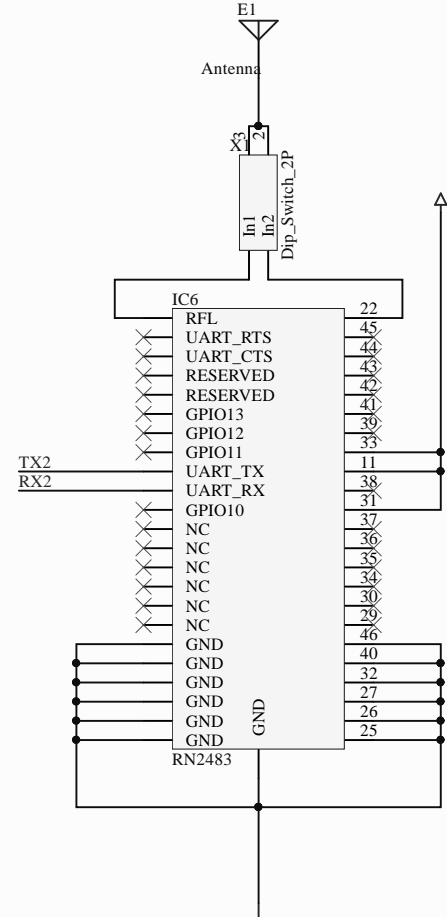
Microcontroller



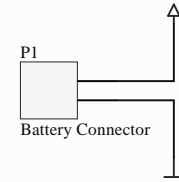
Real-Time-Clock



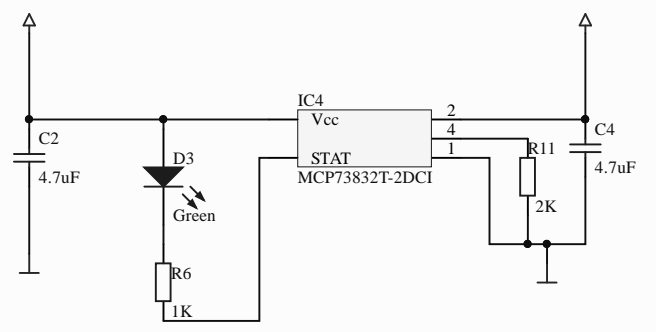
Vin/USB Power Auto Selector



Lora Chip



Connector for Battery



Charge Controller