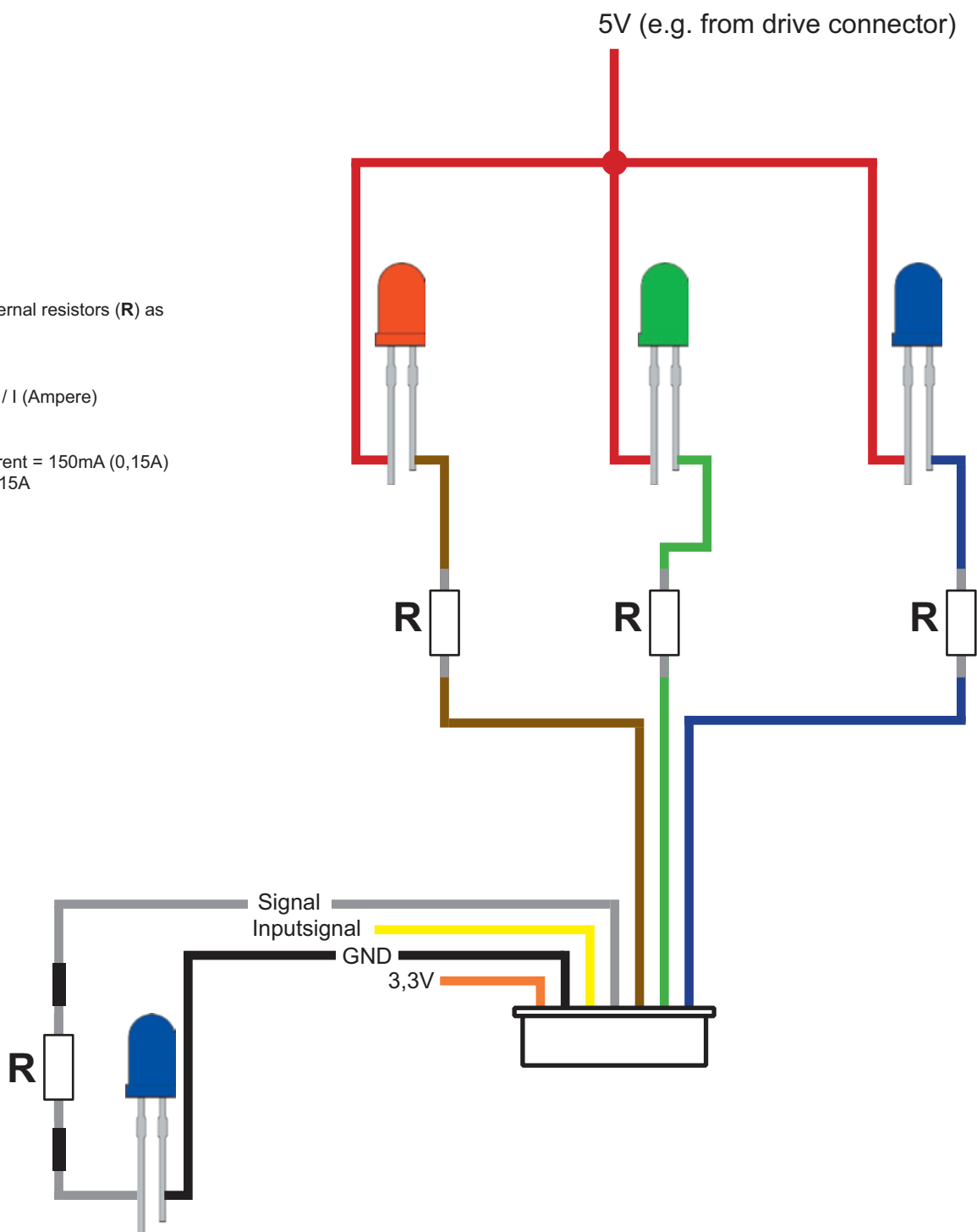


RGB-LED-connection

LEDs require an external resistor (**R**) as current limit.

Calculation is:
 $R \text{ (Ohm)} = U \text{ (Volt)} / I \text{ (Ampere)}$

Example:
voltage = 4.1V, current = 150mA (0,15A)
 $R = (5V - 4.1V) / 0.15A$
 $R = 6 \text{ Ohm}$



An additional external status-LED, which shows the current state of the SmartXX, can be connected.