

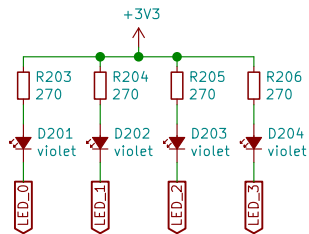
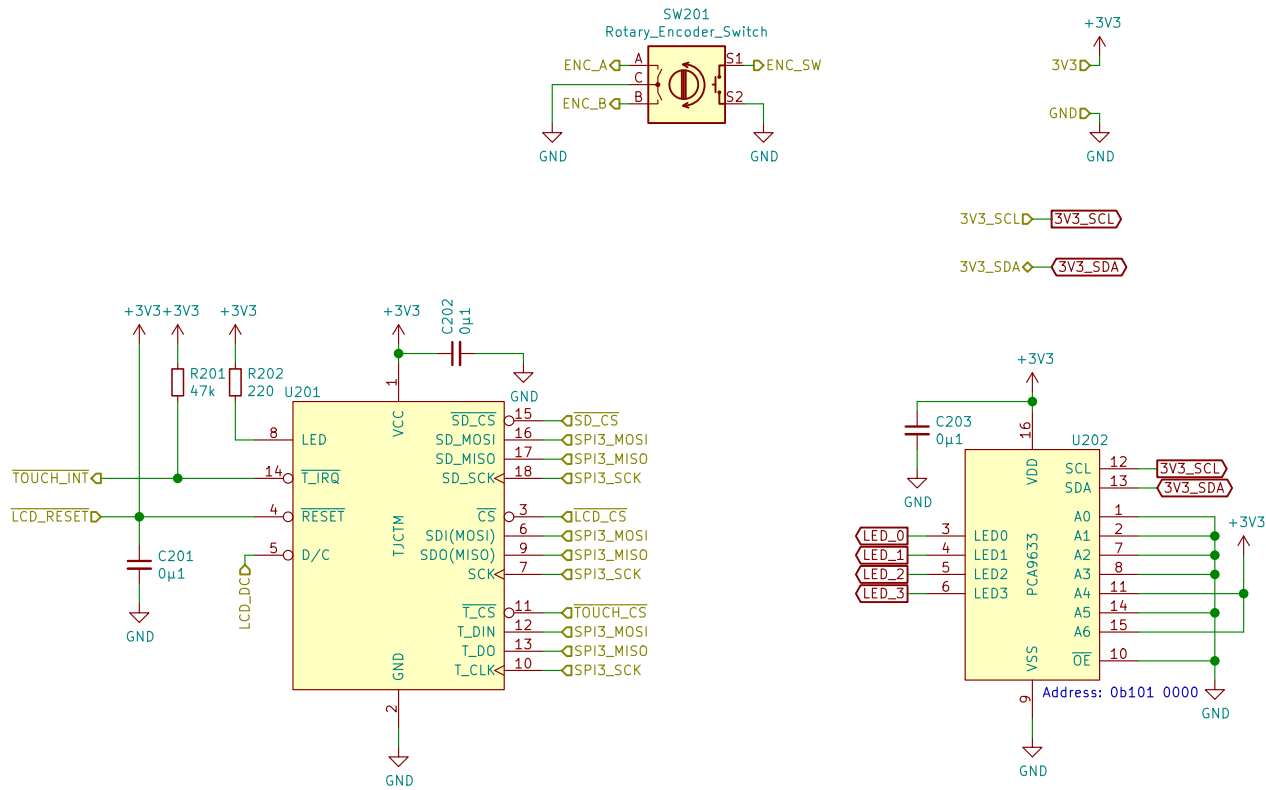
(C) Hannes Baumgart 2018

Sheet: /
File: WX_Station.sch

Title: WX Soldering Station

Size: A4 | Date: 2018-07-25
KiCad E.D.A. kicad 5.0.1

Rev: 1
Id: 1/5



User Interface
Encoder, touch LCD, switches

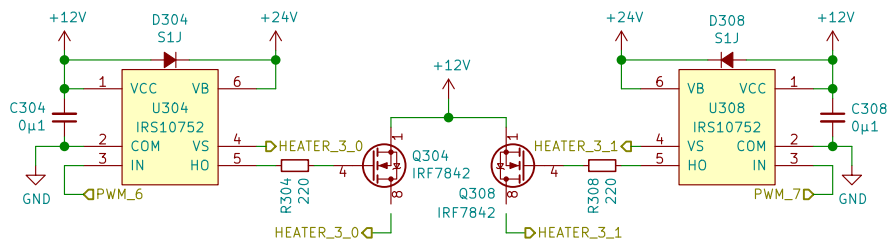
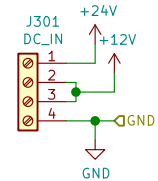
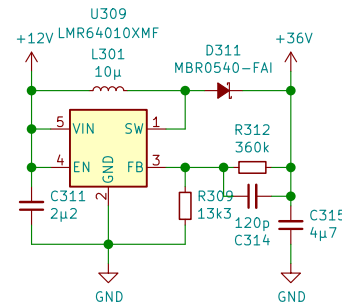
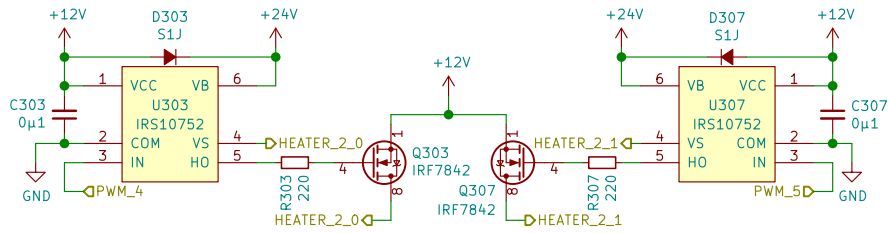
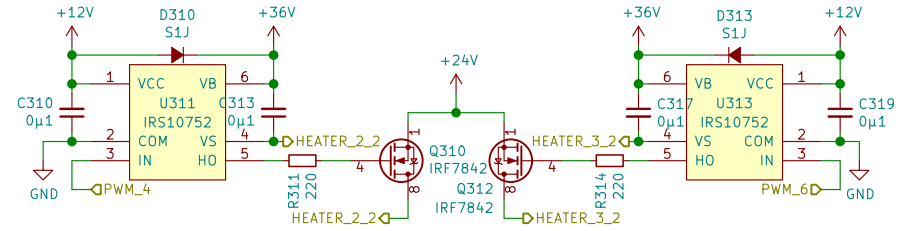
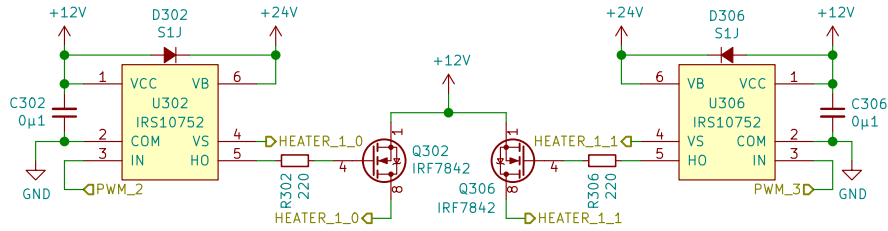
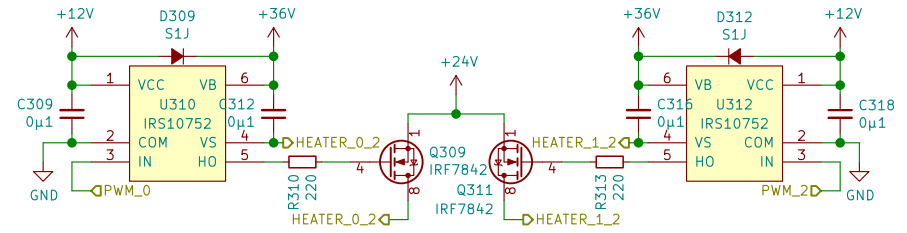
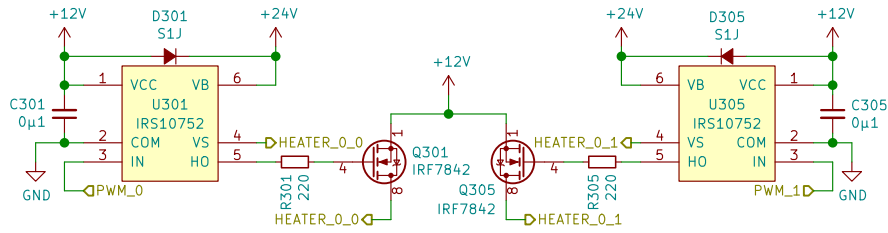
(C) Hannes Baumgart 2018

Sheet: /User Interface/
File: user_interface.sch

Title: WX Soldering Station

Size: A4 | Date: 2018-07-25
KiCad E.D.A. kicad 5.0.1

Rev: 1
Id: 2/5



High side switches and power supply

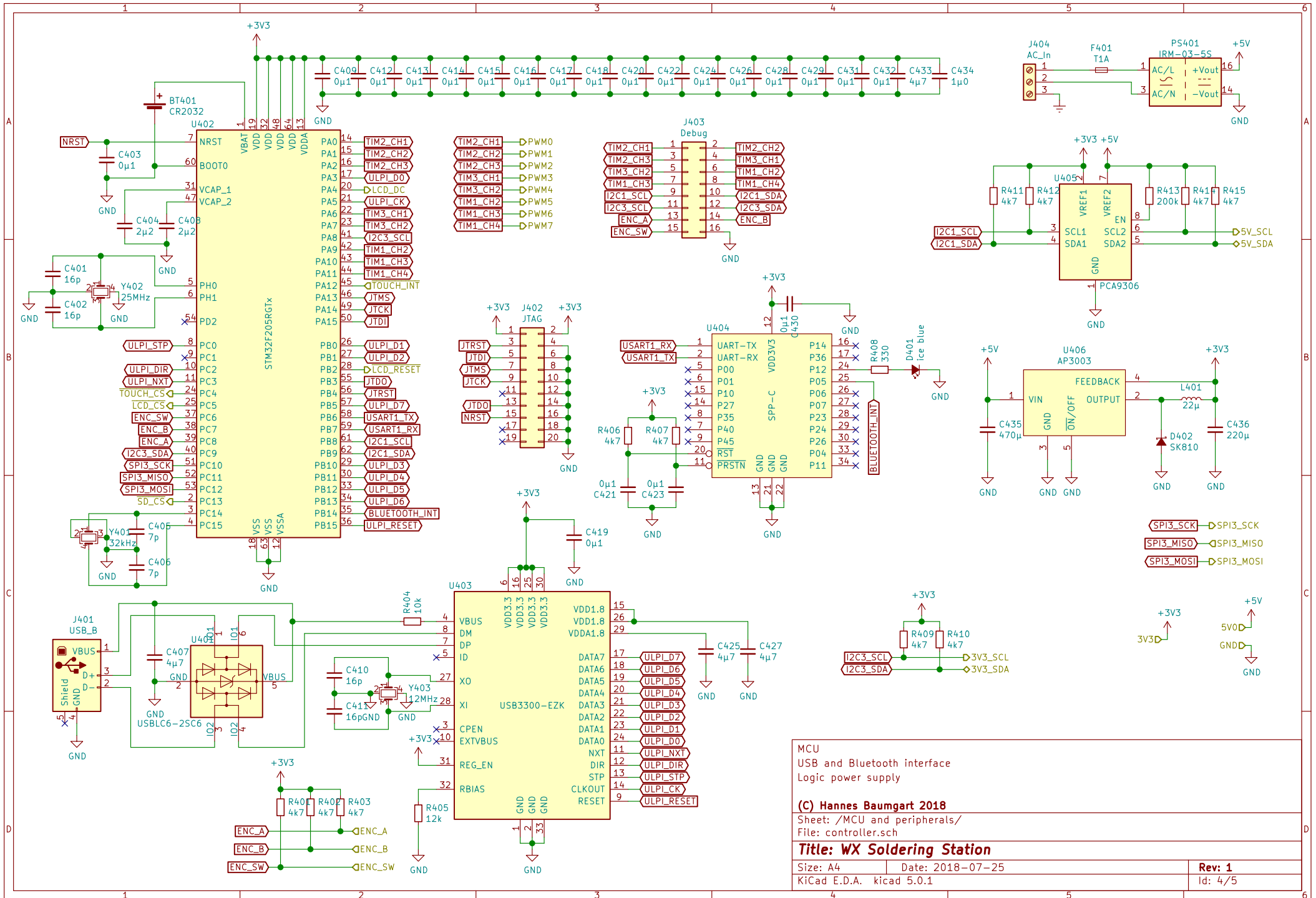
12V/24V power switch
 (C) Hannes Baumgart 2018

Sheet: /High side switches/
 File: switches.sch

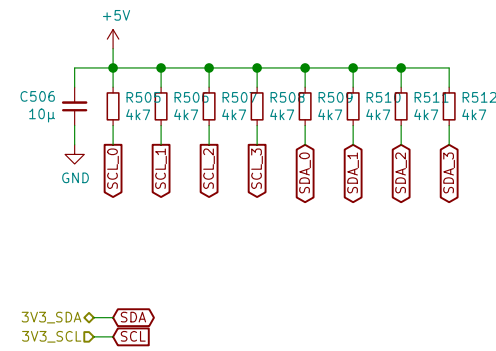
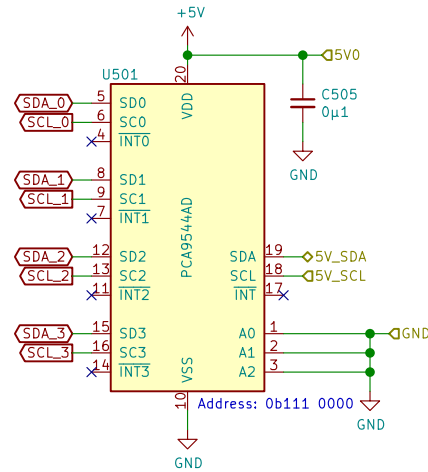
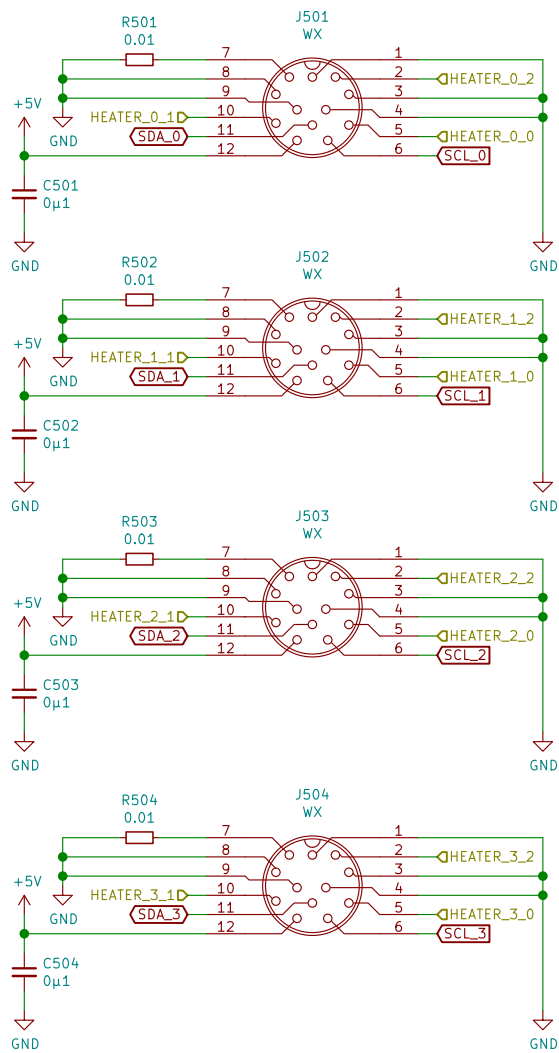
Title: WX Soldering Station

Size: A4 Date: 2018-07-25
 KiCad E.D.A. kicad 5.0.1

Rev: 1
 Id: 3/5



MCU USB and Bluetooth interface Logic power supply	
(C) Hannes Baumgart 2018	
Sheet: /MCU and peripherals/ File: controller.sch	
Title: WX Soldering Station	
Size: A4	Date: 2018-07-25
KiCad E.D.A. kicad 5.0.1	Rev: 1 Id: 4/5



Soldering iron connectors
 Heater high side switches with PWM

(C) Hannes Baumgart 2018
 Sheet: /Solder iron connections/
 File: connections.sch

Title: WX Soldering Station

Size: A4	Date: 2018-07-25	Rev: 1
KiCad E.D.A. kicad 5.0.1		Id: 5/5