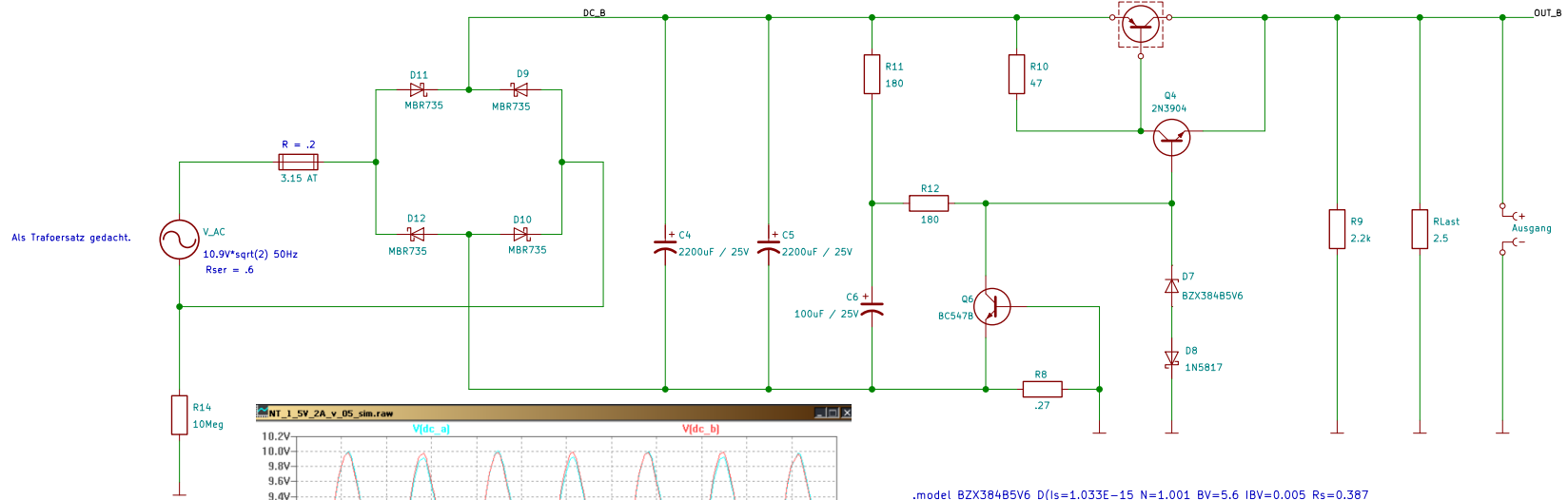
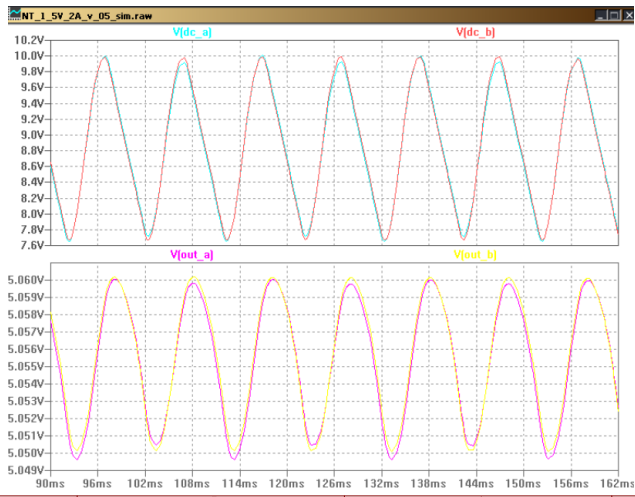


.Temp=27
.tran 1



Als Trafoersatz gedacht.



```
.model BZX384B5V6 D(Is=1.033E-15 N=1.001 BV=5.6 IBV=0.005 Rs=0.387
+ Cj0=1.961E-10 Vj=0.9187 M=0.423 Fc=0.5 Iave=250M Vpk=5.6 Mfg=NXP Type=ZENER)
```

Sheet: /		
File: NT_1_5V_2A_v_05_sim.sch		
Title:		
Size: A3	Date:	Rev:
KiCad E.D.A.	kicad (5.0.1)-4	Id: 1/1