

# C-CAM

New Technology

## Ultra Low Cost Video Camera

C-CAM turns a complete video camera into a component of your product.

C-CAM, a CMOS type video camera, is specially designed for the cost sensitive consumer electronics application.

C-CAM offers the unique benefits such as a low power consumption, low cost, small size together with consistent image quality.

### Features:

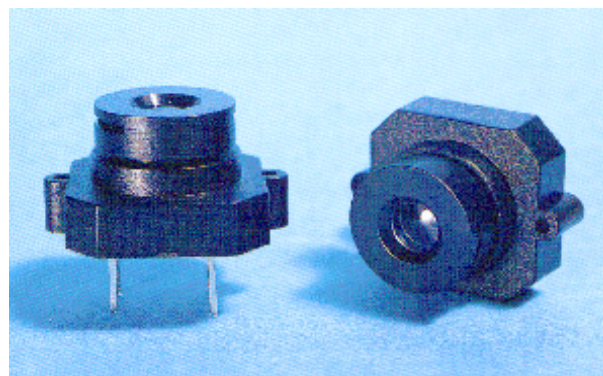
- Small size : 21x21x15mm
- Lens: 7.4mm
- Low power consumption (<100mW)
- Direct connect to standard video monitor
- On-chip auto exposure control
- Back light compensation
- Gamma correction - 0.45/1.0
- Auto gain control - 18dB
- Auto black level calibration
- Improvement on anti-blooming and anti-smearing

### Application Example

- Visual Door Phone
- Baby Monitor
- Security and Surveillance System
- Machine Vision
- Process Control
- Car Rear Viewer
- Toys

### Pin Description

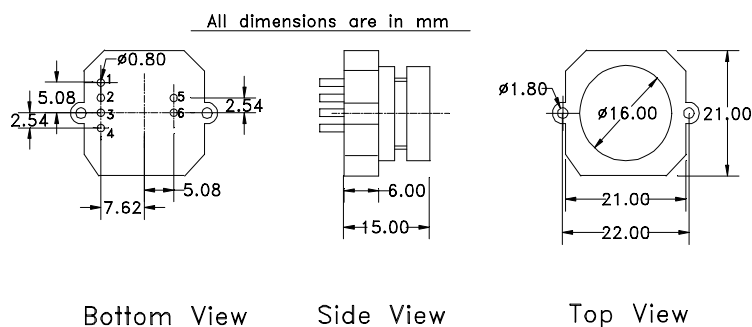
1. VOUT Composite Video Out, direct connect to monitor.
2. GND Power Supply Ground
3. VCC Power Supply, DC5V ; 0.5V.
4. ODR AGC Disable pin, tie low for out door use
5. NC
6. NC



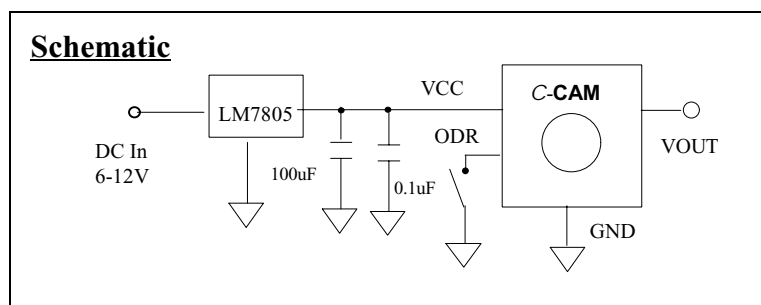
### Specification

Imager	1/3" CMOS imager sensor
Scanning	2:1 Interlace
Shutter	1/60 to 1/6000 sec
Video Output	1V p-p composite video (75Ω)
Picture Element	M36(EIA): 320(H) x 240(V) M35(CCIR): 352(H) x 288(V)
Effective image area	4.8mm x 3.6mm
S/N Ratio	>46dB (AGC on )
Min Illumination	1Lux at F1.4
Resolution	240 TV line min
Operation Voltage	5 VDC ; 0.5V
Operating Current	10mA (no load)
Lens	7.4mm F2.0, FOV 36° x 27.5° 4.9mm F2.8, FOV 56° x 42°

### Mechanical Dimension



### Schematic



# Monochrome Response

