

18.4 cm (7.24") color STN-LCD module

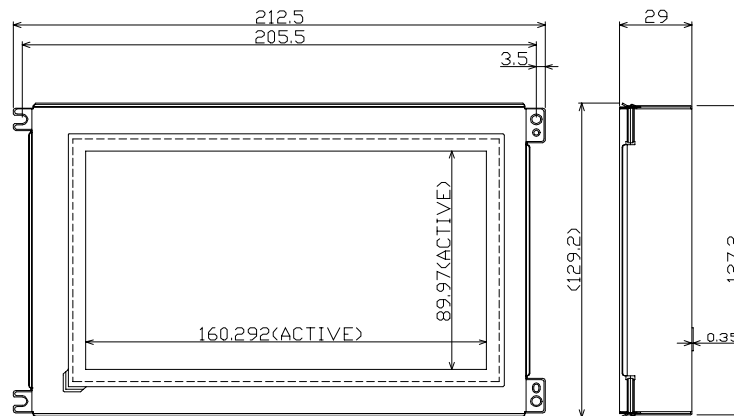
CMW72NS46P



Features

- Full dot matrix color STN module suitable for moving images
- Fast response, high contrast, and wide viewing angle

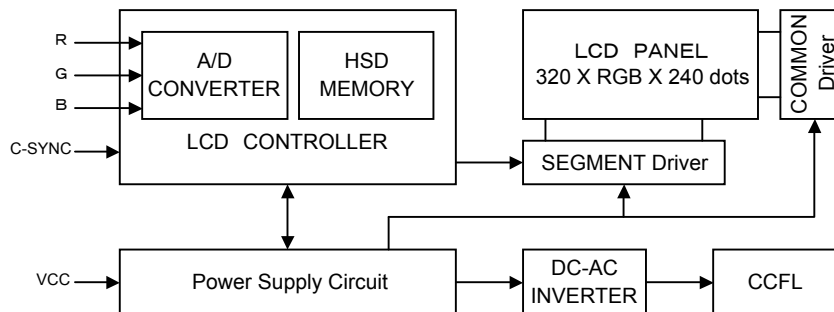
Dimensions



Specifications

Items	Specifications	Units	Notes
Dot format	320 x RGB x 240	dots	RGB stripe layout
Dot pitch	0.167 x 3 x 0.375	mm	
Contrast ratio	25		
Supply voltage for logic	12	V	
Response time	90	ms	
Brightness	380	cd/m ²	

Block Diagram



* Specifications of this product are subject to change without notice.

CASIO CASIO ELECTRONIC DEVICES CO., LTD.

22-20, Akebono-cho 2-chome, Tachikawa-shi, Tokyo 190-0012 Japan
 Phone +81-42-527-6331 Fax +81-42-527-6332