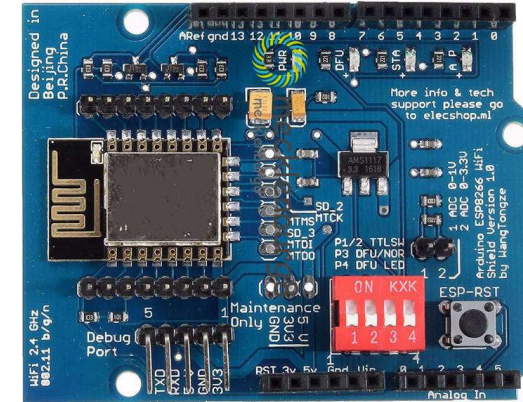
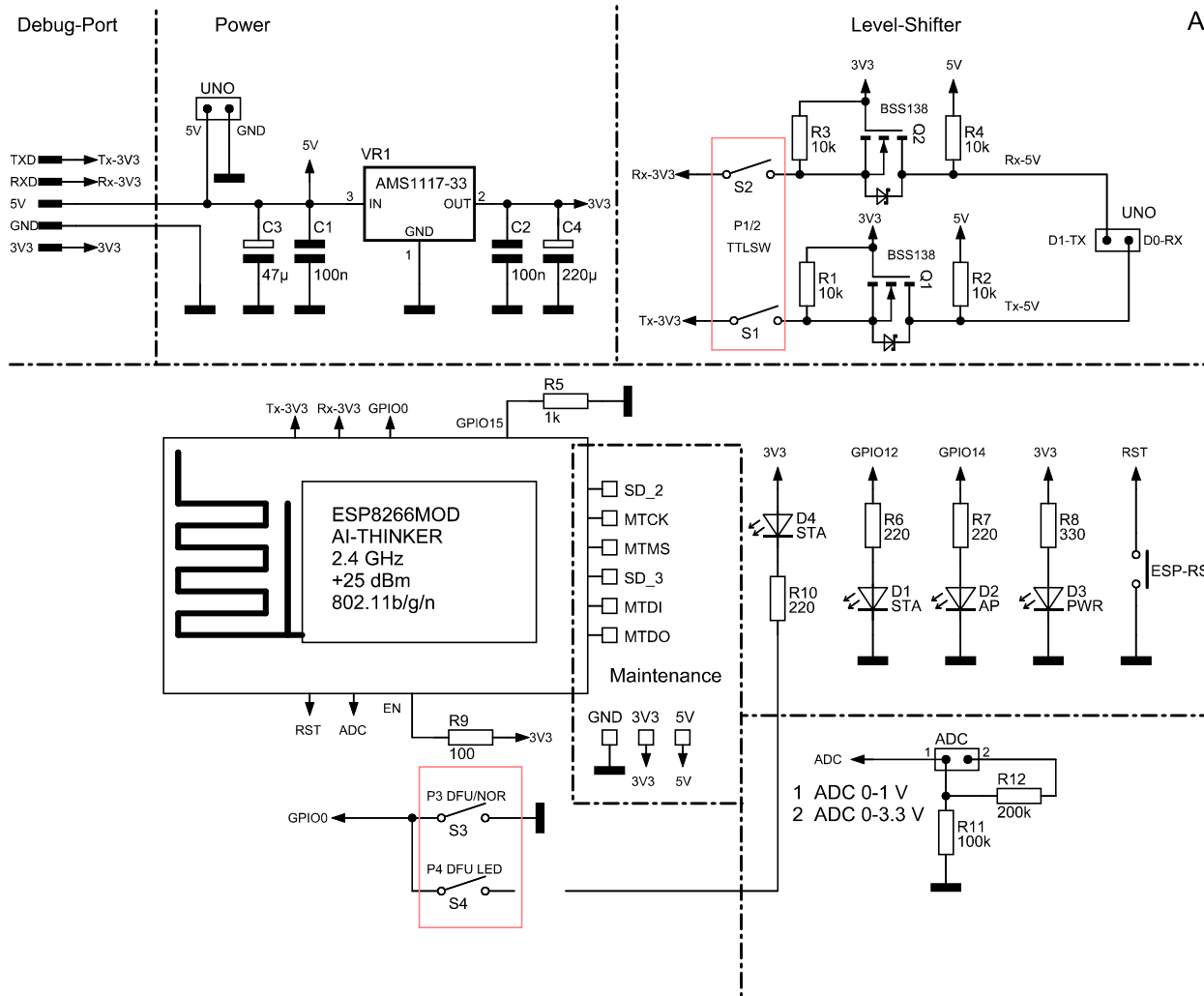


Arduino ESP8266 WiFi Shield V1.0 by Wang Tongze

B.E. 18.03.2019



- | Switch | Function |
|--------|-----------------------------------|
| SW1 | Connect ESP8266 TX to pin D0 |
| SW2 | Connect ESP8266 RX to pin D1 |
| SW3 | Enable bootloader mode |
| SW4 | Use DFU LED to show serial activi |