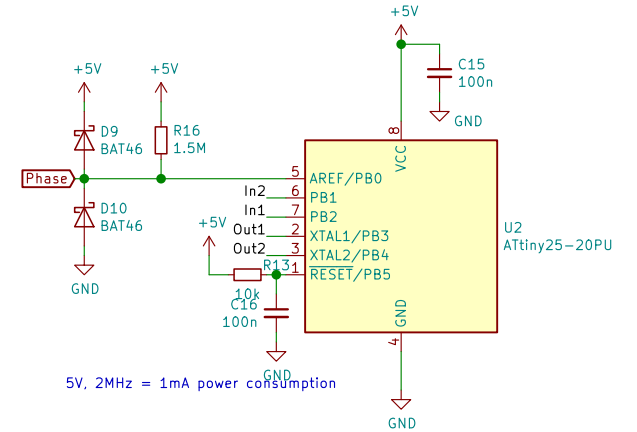
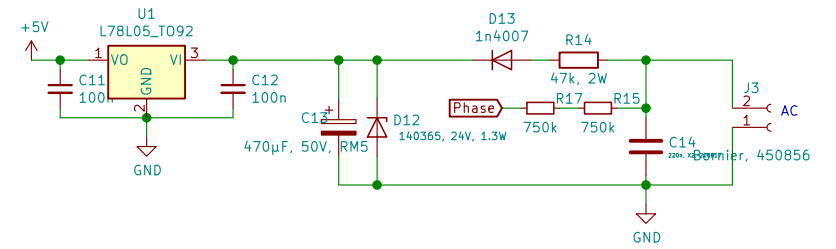
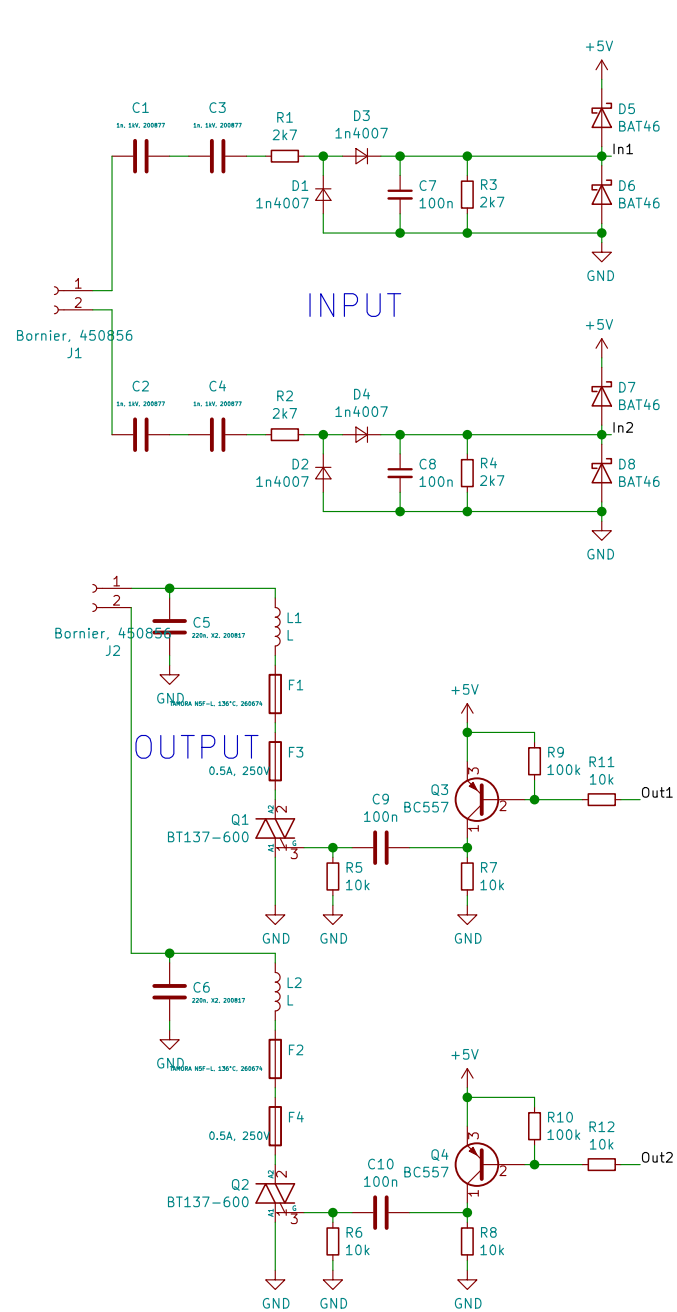


-  H1 MountingHole
-  H2 MountingHole



- Triacs:
- TLC381S (700V, 15A, 10mA, 0.15€)
 - BT137X-600 (600V, 8A, 35mA, 0.38€)

Sheet: /
File: touch-controller.sch

Title:

Size: A4
KiCad E.D.A. kicad 5.0.2

Date:

Rev:

Id: 1/1