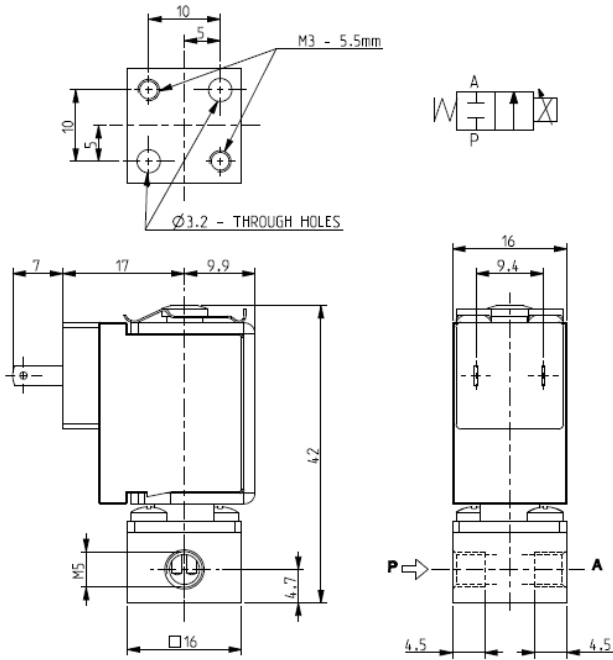




MICRO SOLENOID VALVE
2 ways - NC (Normally closed)
 Direct acting
M5

V164
 PROPORTIONAL
 FLOW CONTROL



► **GENERAL FEATURES**

Direct acting micro solenoid valve; minimum overall dimensions.
 The flow rate is proportional to the input electric signal.
 The chart overleaf shows an example curve of flow rate / electric signal at 3 bar inlet pressure.
 Suitable to shut off liquid and gaseous fluids (verify the compatibility of fluid with materials in contact).

► **TECHNICAL FEATURES**

Maximum allowable pressure (PS) 16 bar
Fluid temperature -10°C +90°C
Max viscosity 3°E (~22 cStokes or mm²/s)

► **MATERIALS IN CONTACT WITH FLUID**

Body Brass
Sealing NBR
Internal components Stainless steel
Seat Brass
Core tube Stainless steel

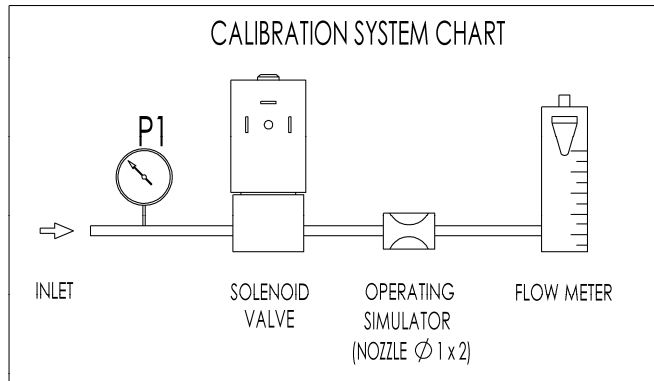
► **COIL**

Continuous duty ED 100% (see note "A" overleaf)
Encapsulation material PA (Polyamide) fiberglass reinforced
Insulation class F (155°C)
Ambient temperature -10°C +60°C
Electric connections DIN 46340
Protection degree IP 40 (EN 60529) with female wire terminals 2,8 x 0,5 totally insulated
Voltages DC 12 - 24V

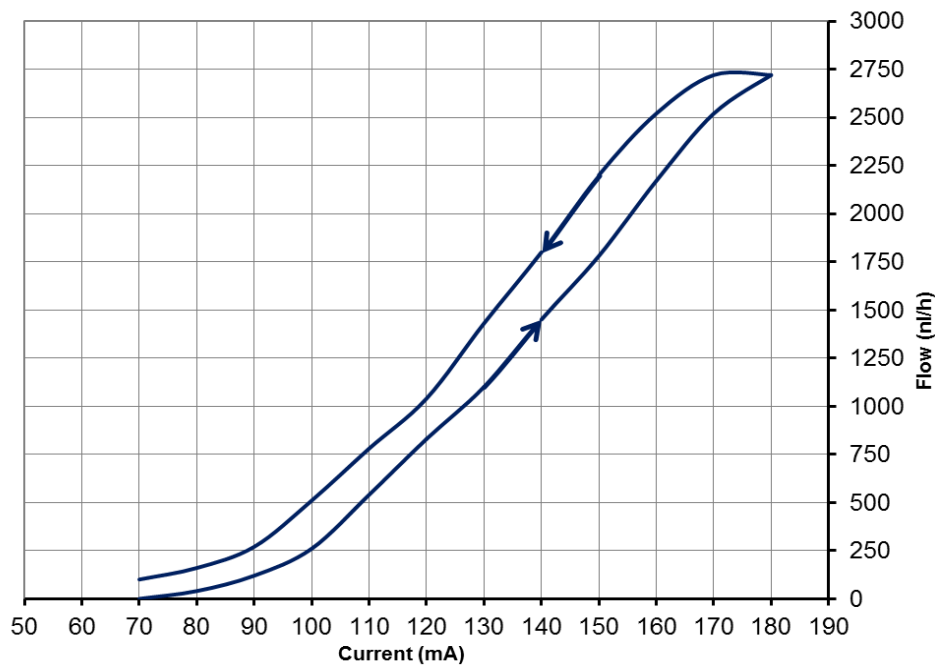
| Port size ISO-UNI 4534 | Orifice size (mm) | Inlet differential pressure (bar) | | Kv (m ³ /h) | Series et type | | Power absorption | | | Sealings | Notes | Weight (kg) |
|------------------------------|-------------------------|--------------------------------------|-----|---------------------------|----------------|-------|------------------|---------|-----------|----------|-------|----------------|
| | | Min | Max | | Valve | Coil | AC (VA) | | DC (W) | | | |
| | | | | | | | Inrush | Holding | | | | |
| M5 | 1,6 | 0 | 5 | 0,04 | V164B02 | ZE30A | - | - | 4 | NBR | - | 0,060 |

► **NOTES**

- These micro-solenoid valves are not suitable for stagnating media subject to vaporization which deposit solid, calcareous, incrusting residues or similar.
- Seal: NBR = Nitrile butylene elastomer
- Contact us for different pressure ratings and different proportionality features (flow rate / electric signal)
- Available with Z031A coil on request (Electric connections: DIN 46340 – micro plug connector; Protection degree: IP65)



V164B02 – ZE30A (orifice size=1.6mm)
CHARACTERISTIC CURVE AT INLET PRESSURE = 3 bar (dehumidified and non-lubricated air)
 Reference coil 24V DC
 (See note "A")



► INSTALLATION

Solenoid valve can be mounted in any position; vertical with coil upwards preferred.

► NOTE "A"

It is necessary to keep the current circulating in the coil constant so as to maintain the solenoid valve in any pre-determined position. In case the solenoid valve is energised by voltage variation, it has to be considered that the resistance of winding increases because of the continued energizing and consequently the power decreases. Therefore, it is necessary to compensate such power decrease by increasing the voltage to re-establish the initial current value.

THE VALIDITY OF REPORTED DATA IS REFERRED TO THE DATE OF ISSUE. POSSIBLE UPDATES ARE AVAILABLE ON REQUEST.