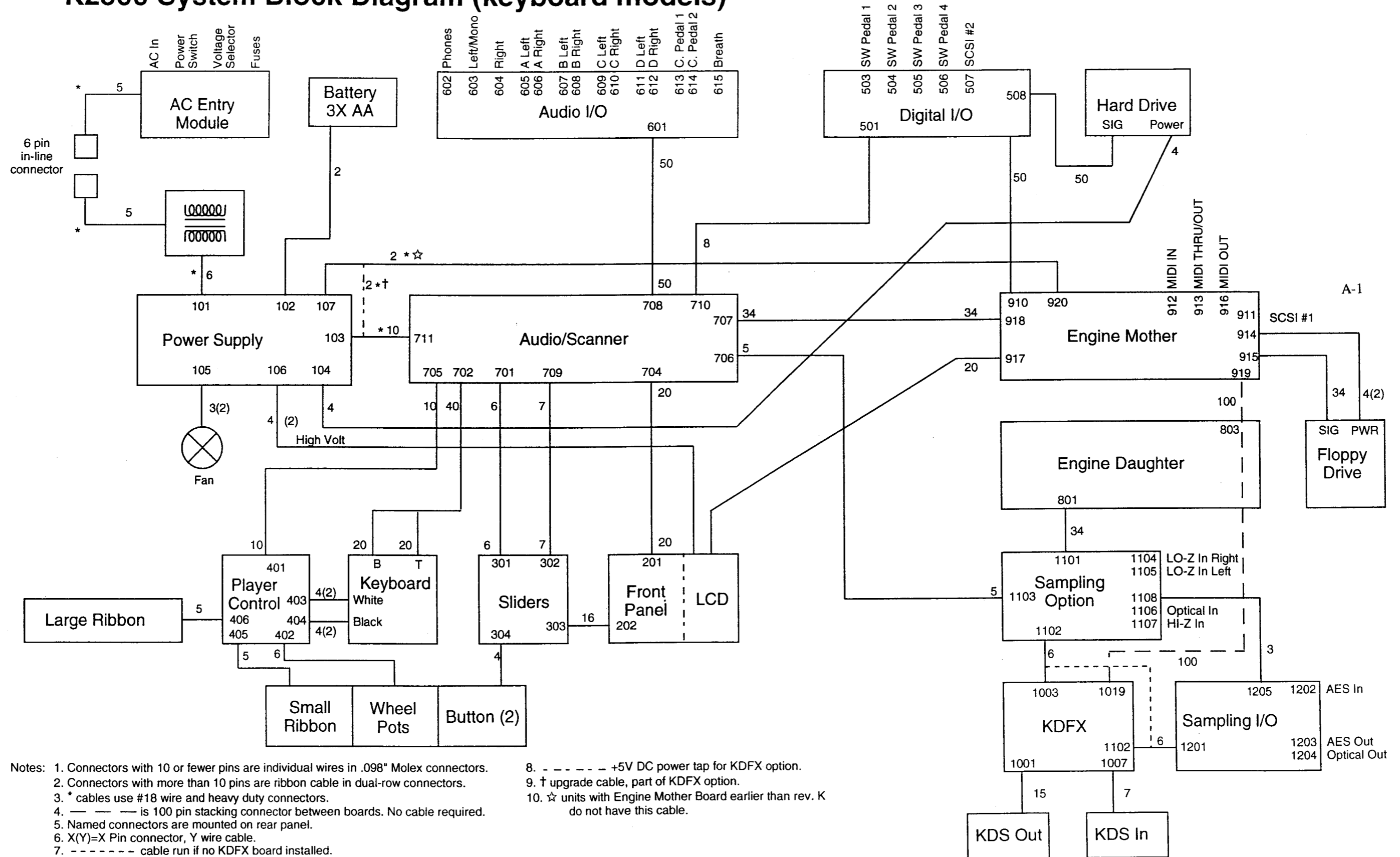
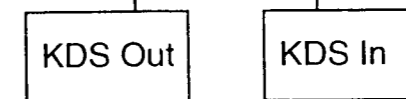


K2500 System Block Diagram (keyboard models)

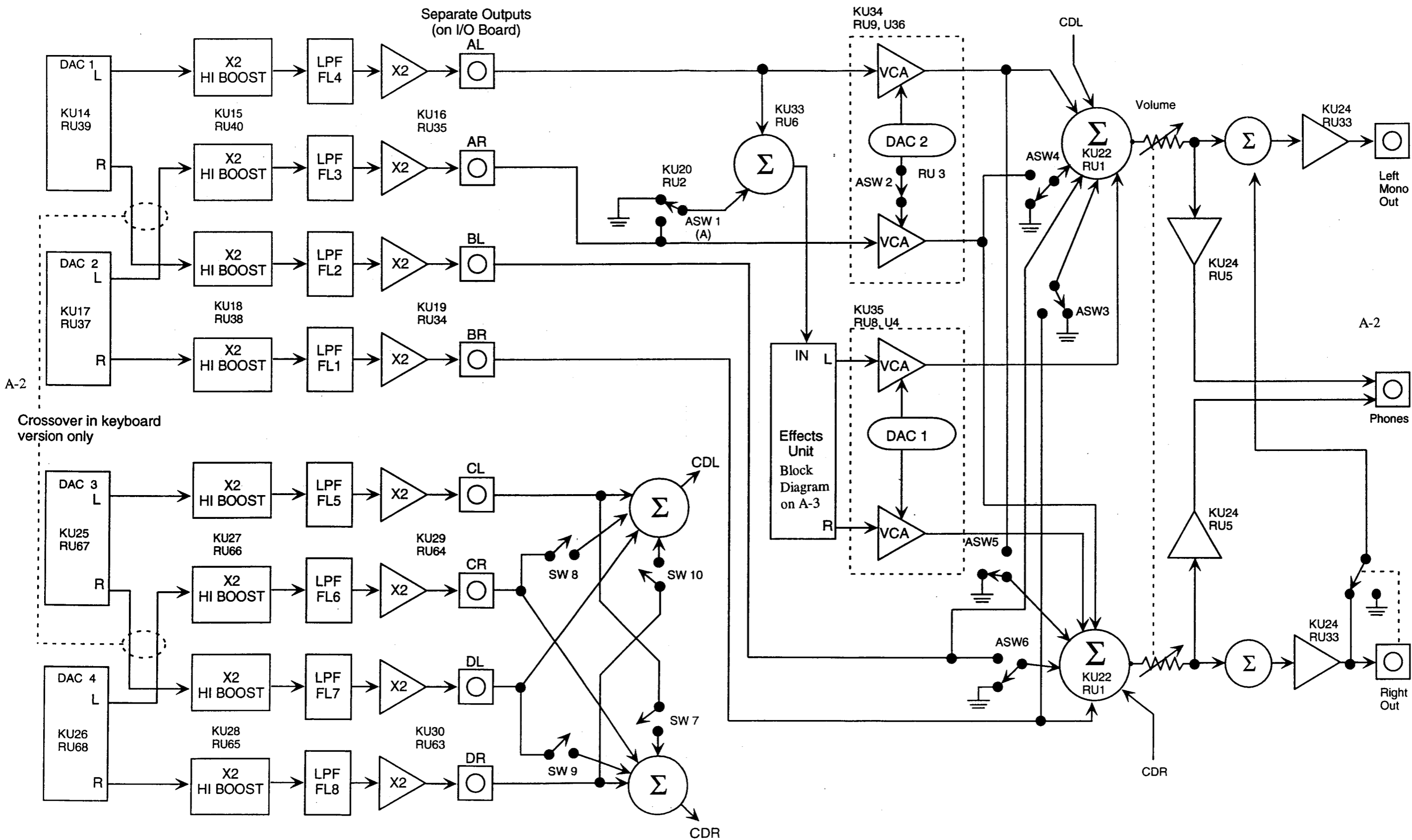


- Notes:
1. Connectors with 10 or fewer pins are individual wires in .098" Molex connectors.
 2. Connectors with more than 10 pins are ribbon cable in dual-row connectors.
 3. * cables use #18 wire and heavy duty connectors.
 4. — — — is 100 pin stacking connector between boards. No cable required.
 5. Named connectors are mounted on rear panel.
 6. X(Y)=X Pin connector, Y wire cable.
 7. - - - - - cable run if no KDFX board installed.

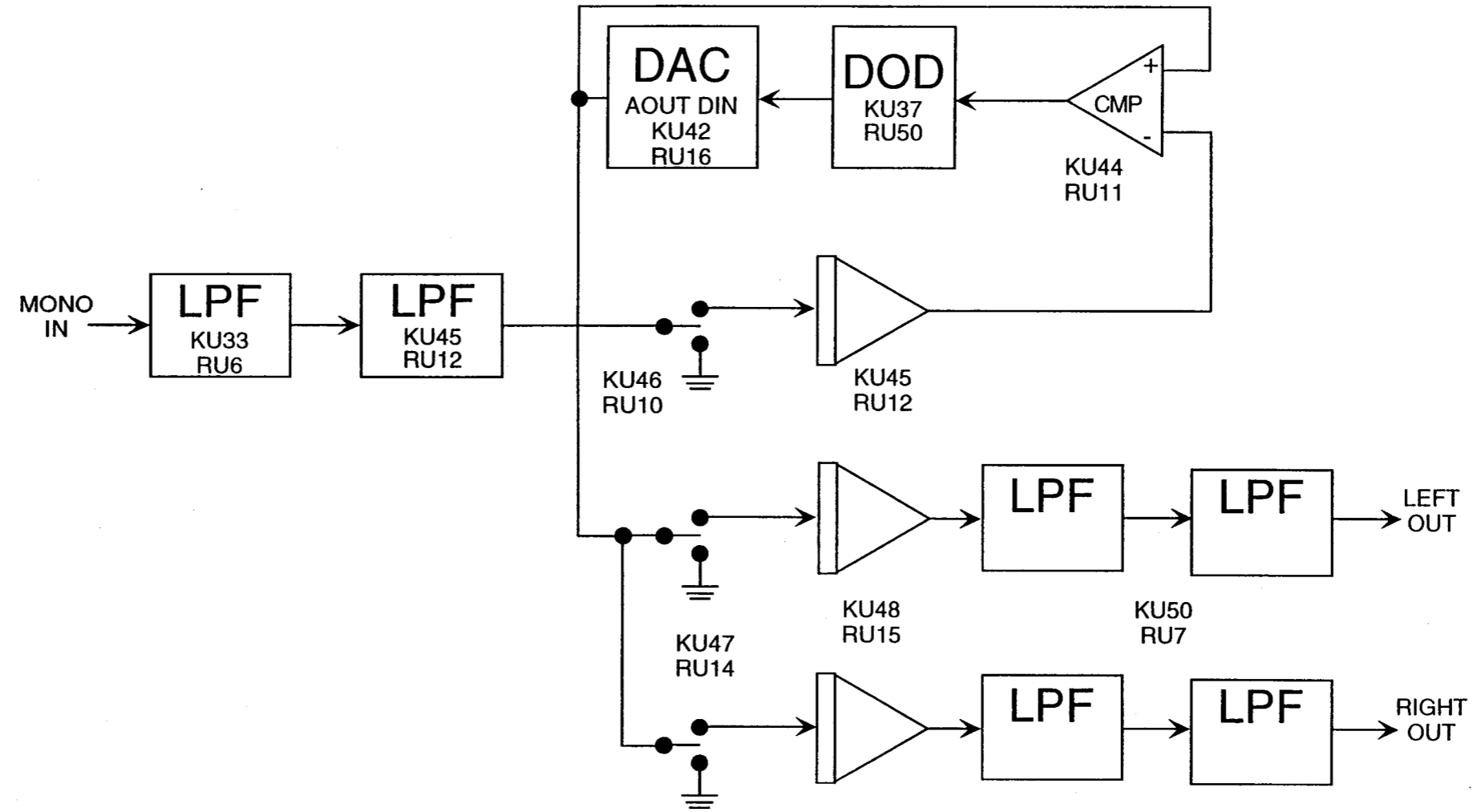
8. - - - - - +5V DC power tap for KDFX option.
9. † upgrade cable, part of KDFX option.
10. ☆ units with Engine Mother Board earlier than rev. K do not have this cable.



K2500 Audio Chain Block Diagram



K2500 Effects Unit



K URZWEIL
SERVICE
DEPARTMENT

SERVICE NOTE
K2500 CC PEDAL TEST PLUG

WHERE USED:

Plug into either CC Pedal input jack on the Digital I/O board. Pages B-21 to B-23.

TEST PURPOSE:

Test for correct installation of current limiting circuit, Q1 and R6 on the Digital I/O board.

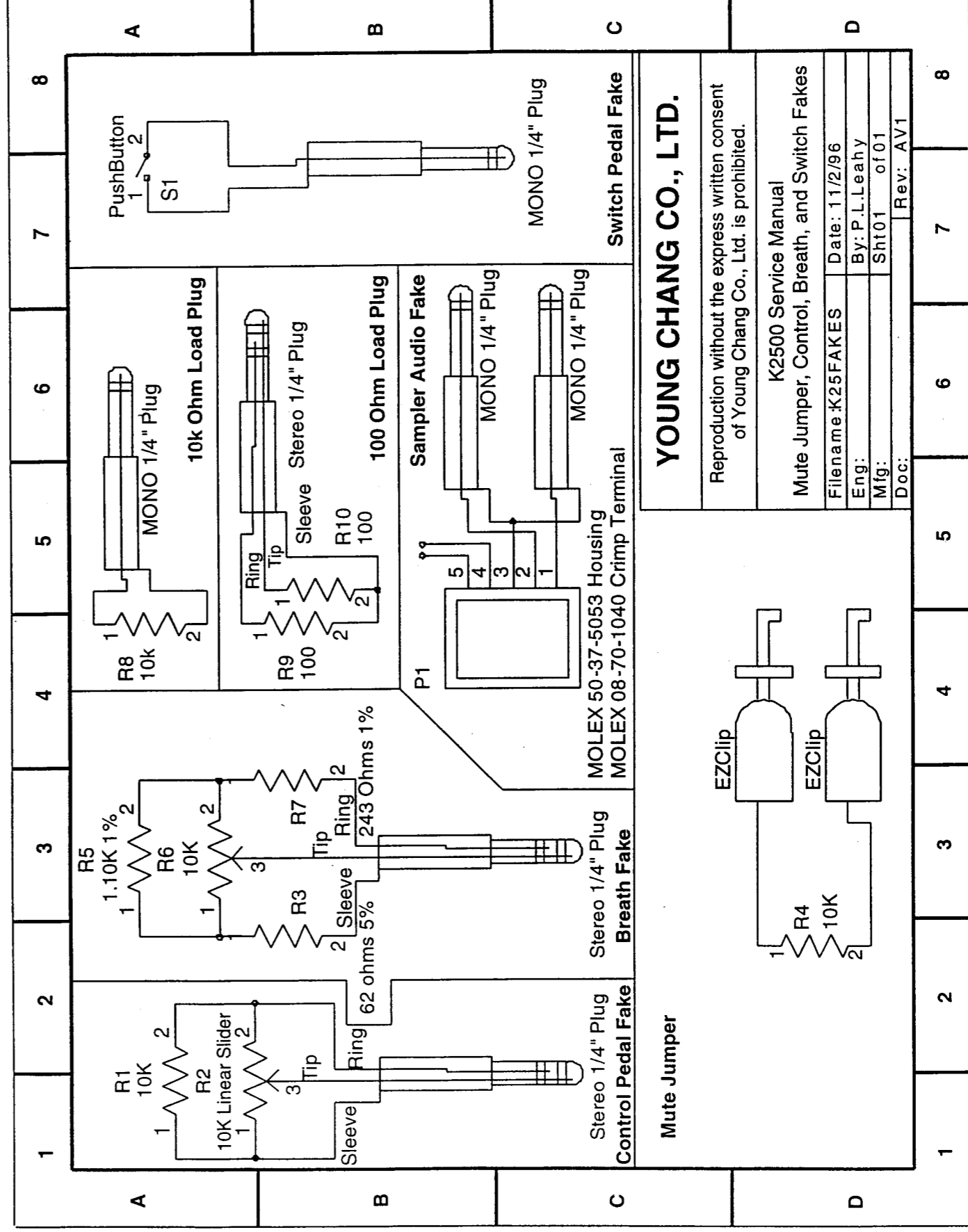
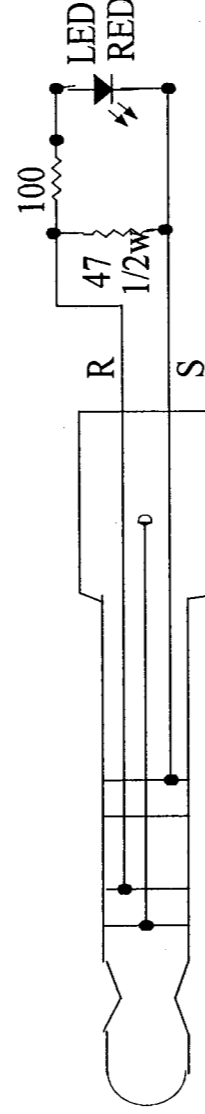
TEST PERFORMANCE:

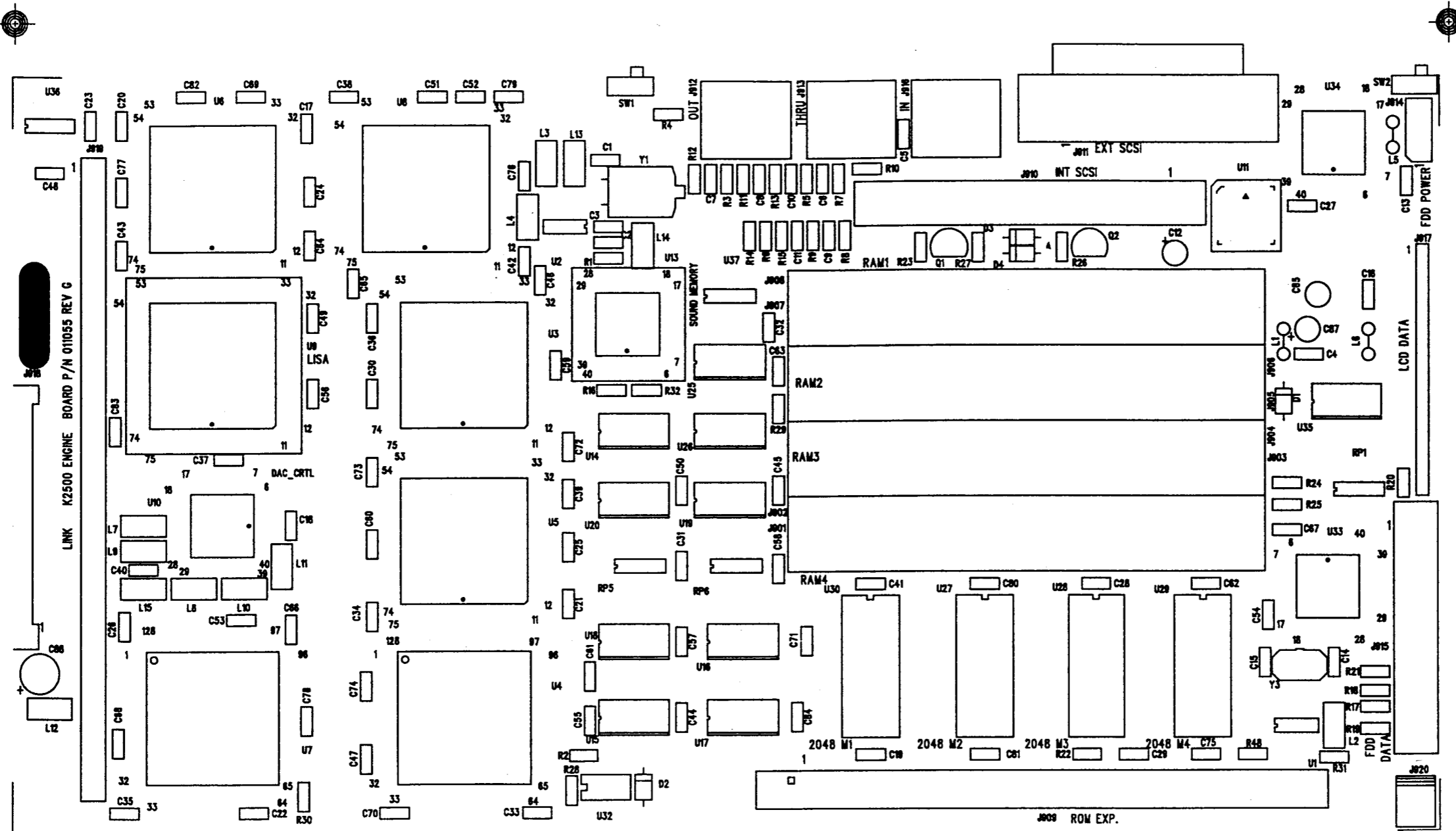
- Plug the test plug into either of the two CC Pedal jacks, located on rear panel of a K2500 or K2500X.
- 1. The LED should be dark, (off) or only dimly illuminated in a correctly wired circuit.
- 2. If the LED illuminates brightly, then Q1 is installed in reverse (backward), or R6 is incorrect value.
- 3. Refer to Silkscreen on page B-21 and Schematic on page B-22.
- 4. Make necessary changes as required.
- 5. Re-test again to prove your changes are correct.

Test Plug:

The test plug shown below can be assembled using components obtained locally.

- 1. 1, 1/4" stereo (two circuit) plug.
- 2. 1, 47 ohm 1/2w resistor **or**
- 3. 2, 100 ohm 1/4w connected in parallel.
- 4. 1, 100 ohm 1/2w resistor.
- 5. 1, Red LED.

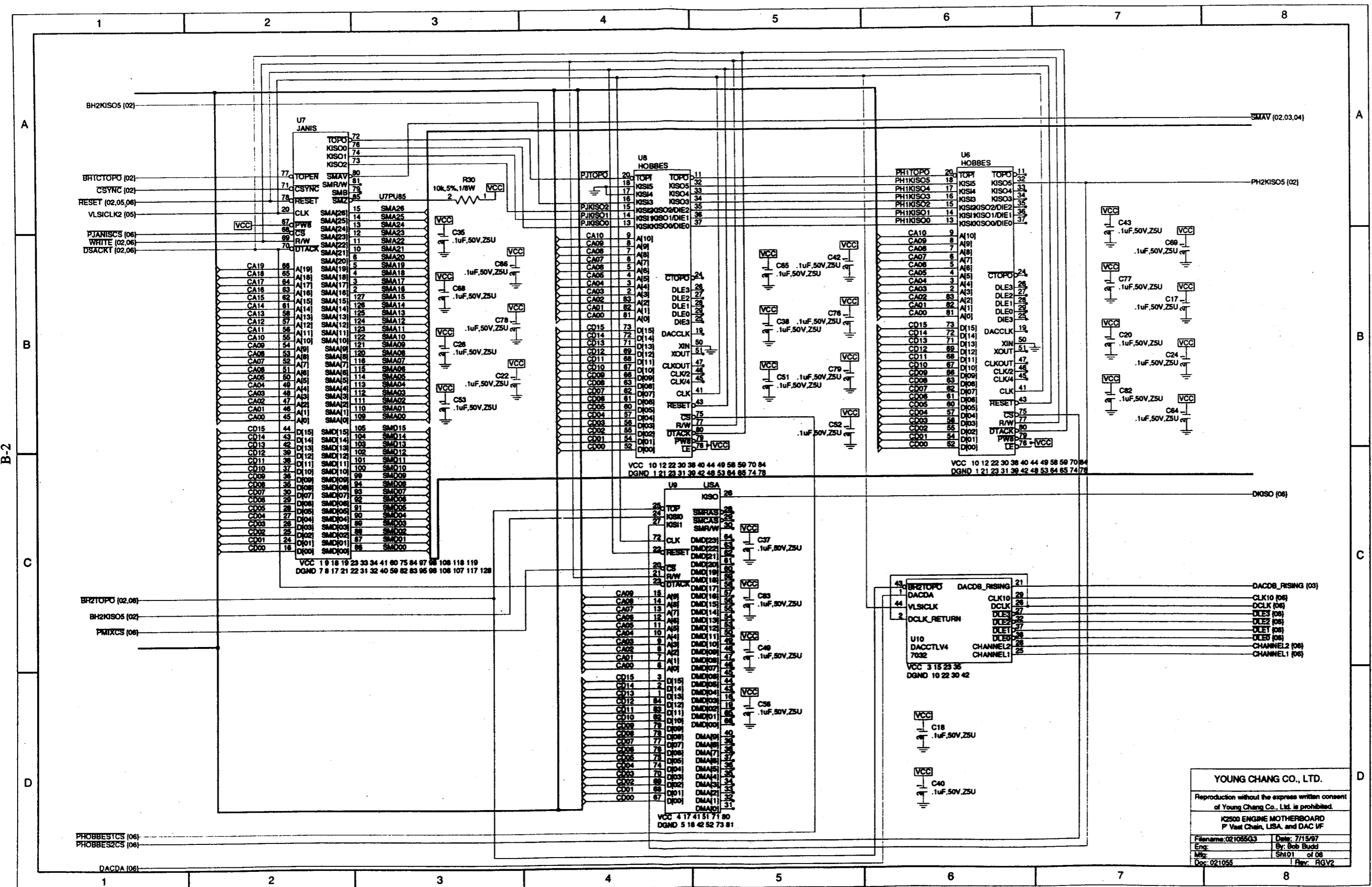




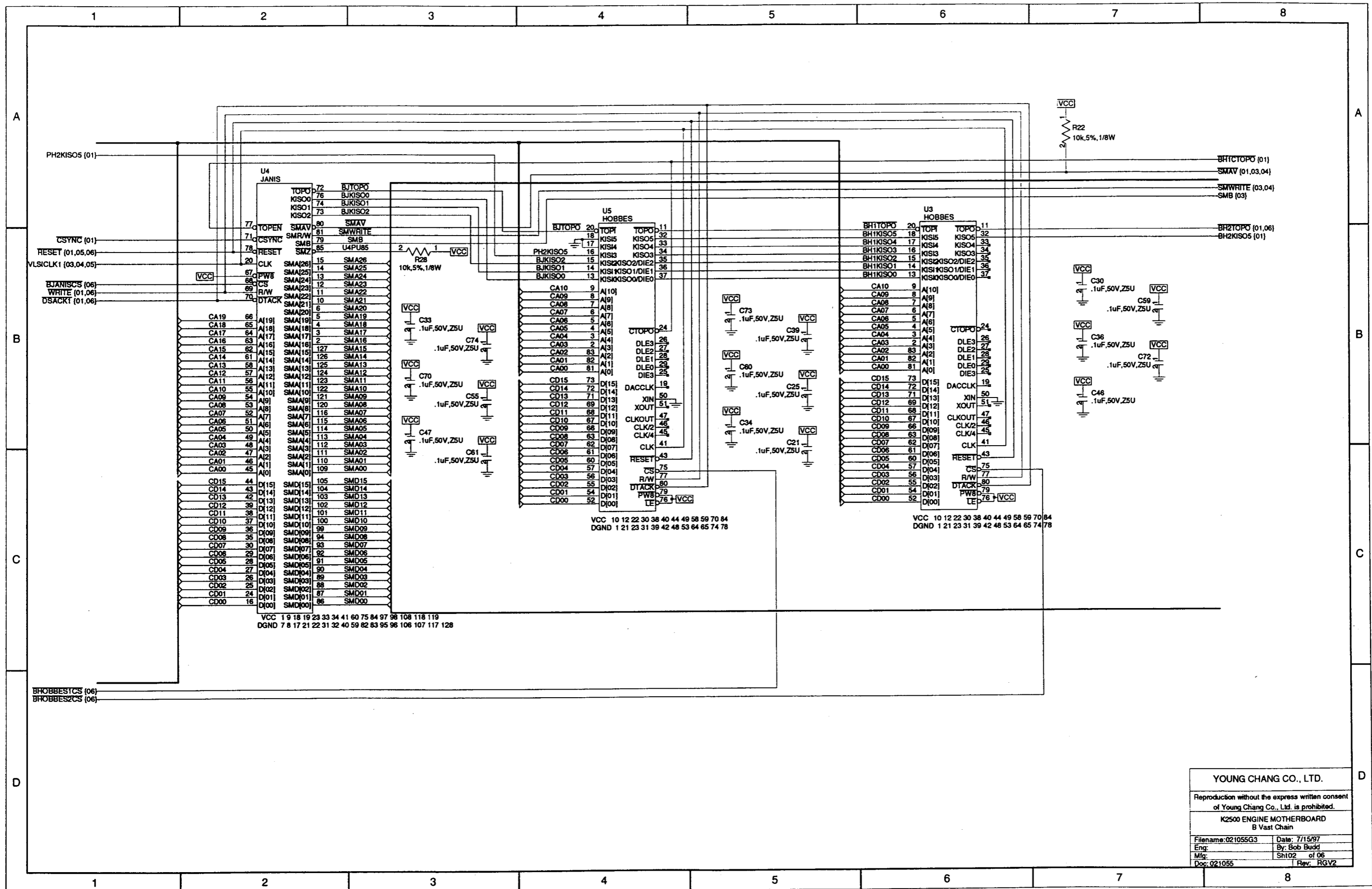
YOUNG CHANG AKKI CO. LTD YOUNG CHANG R&D INSTITUTE WALTHAM MA USA DUPLICATION WITHOUT THE EXPRESS WRITTEN CONCENT OF YOUNG CHANG AKKI CO. LTD IS PROHIBITED	ENG: BOB BUDD	BY: DC DESIGN
	MFG:	
	DOC# 010055 REV G	DATE: 10-27-95

SILKSCREEN
 DC DESIGN (508-670-6305)
 K2500 MOTHER BOARD REV G

L 2
 above
 used in Rack
 Not used in Keyboard



YOUNG CHANG CO., LTD.
 Reproduction without the express written consent
 of Young Chang Co., Ltd. is prohibited.
K2500 ENGINE MOTHERBOARD
 P-Vest Chain, LISA, and DAC I/F
 Filename: 021055G3 Date: 7/15/97
 Eng: By: Bob Budd
 Mfg: Sht01 of 06
 Doc: 021055 Rev: RGV2

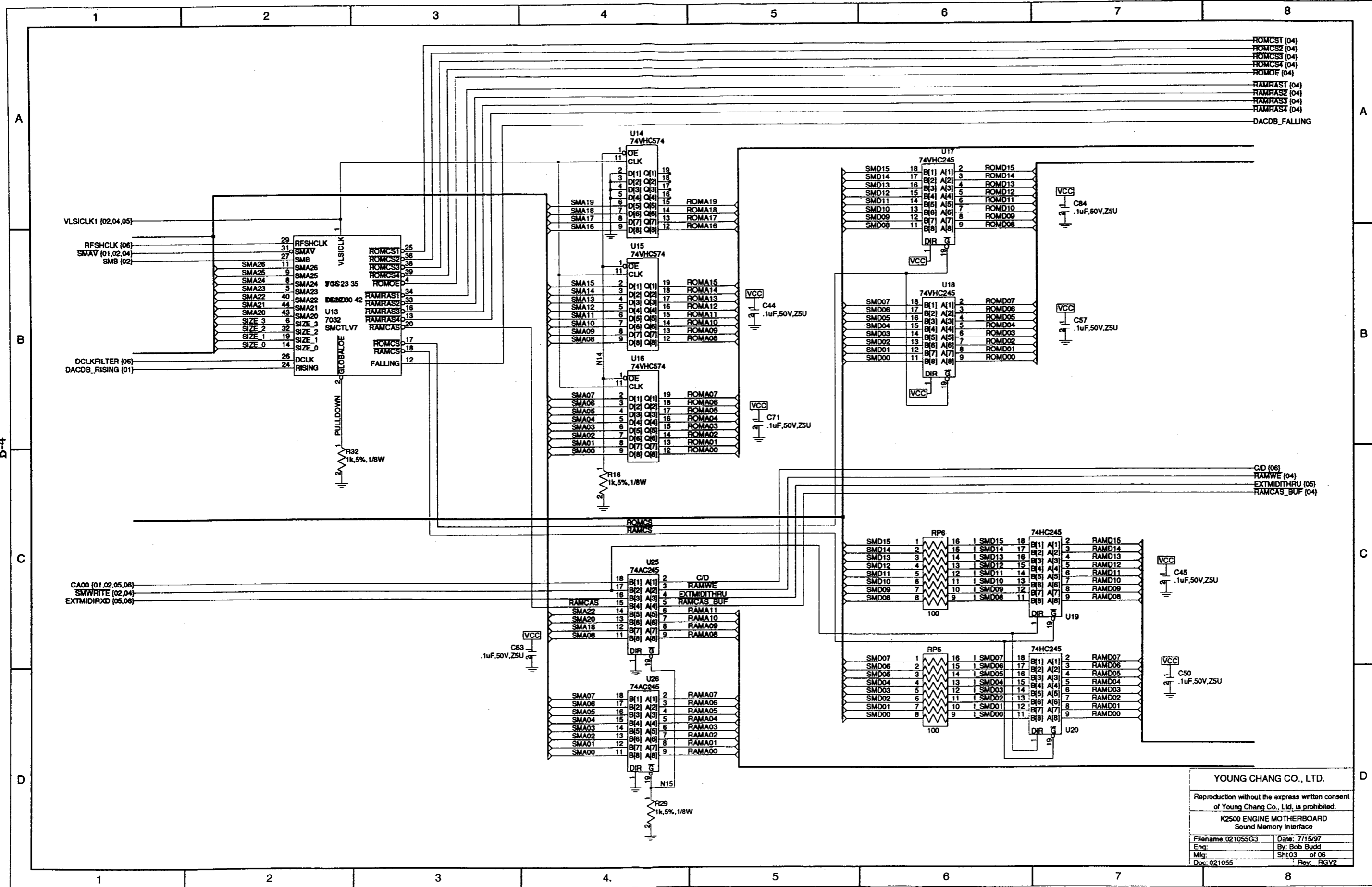


YOUNG CHANG CO., LTD.

Reproduction without the express written consent of Young Chang Co., Ltd. is prohibited.

K2500 ENGINE MOTHERBOARD
B Vast Chain

Filename: 021055G3	Date: 7/15/97
Eng: _____	By: Bob Budd
Mfg: _____	Sh102 of 06
Doc: 021055	Rev: RGV2

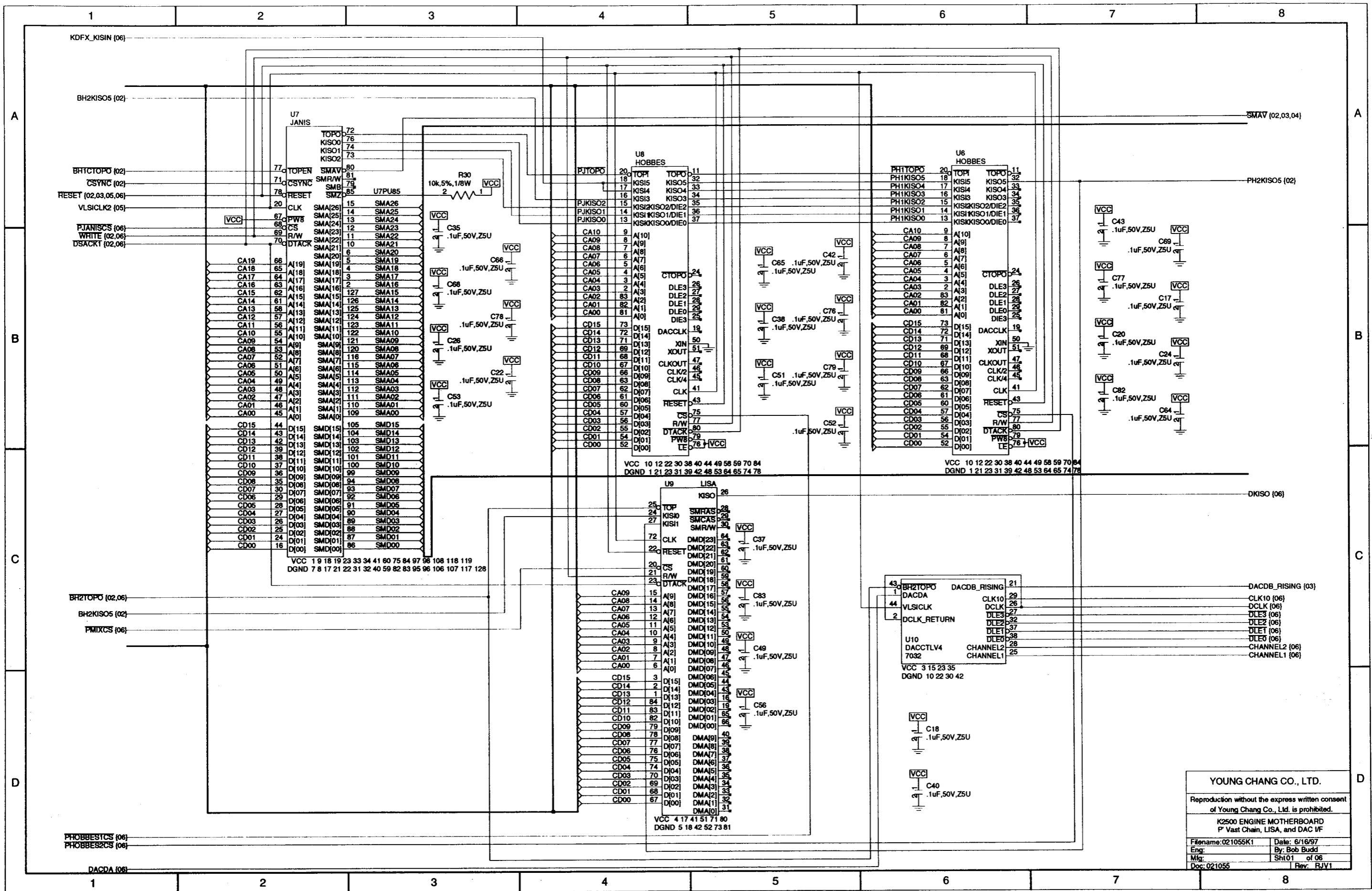


YOUNG CHANG CO., LTD.

Reproduction without the express written consent of Young Chang Co., Ltd. is prohibited.

K2500 ENGINE MOTHERBOARD
Sound Memory Interface

Filename: 021055G3	Date: 7/15/97
Eng:	By: Bob Budd
Mfg:	Sht03 of 06
Doc: 021055	Rev: RGV2



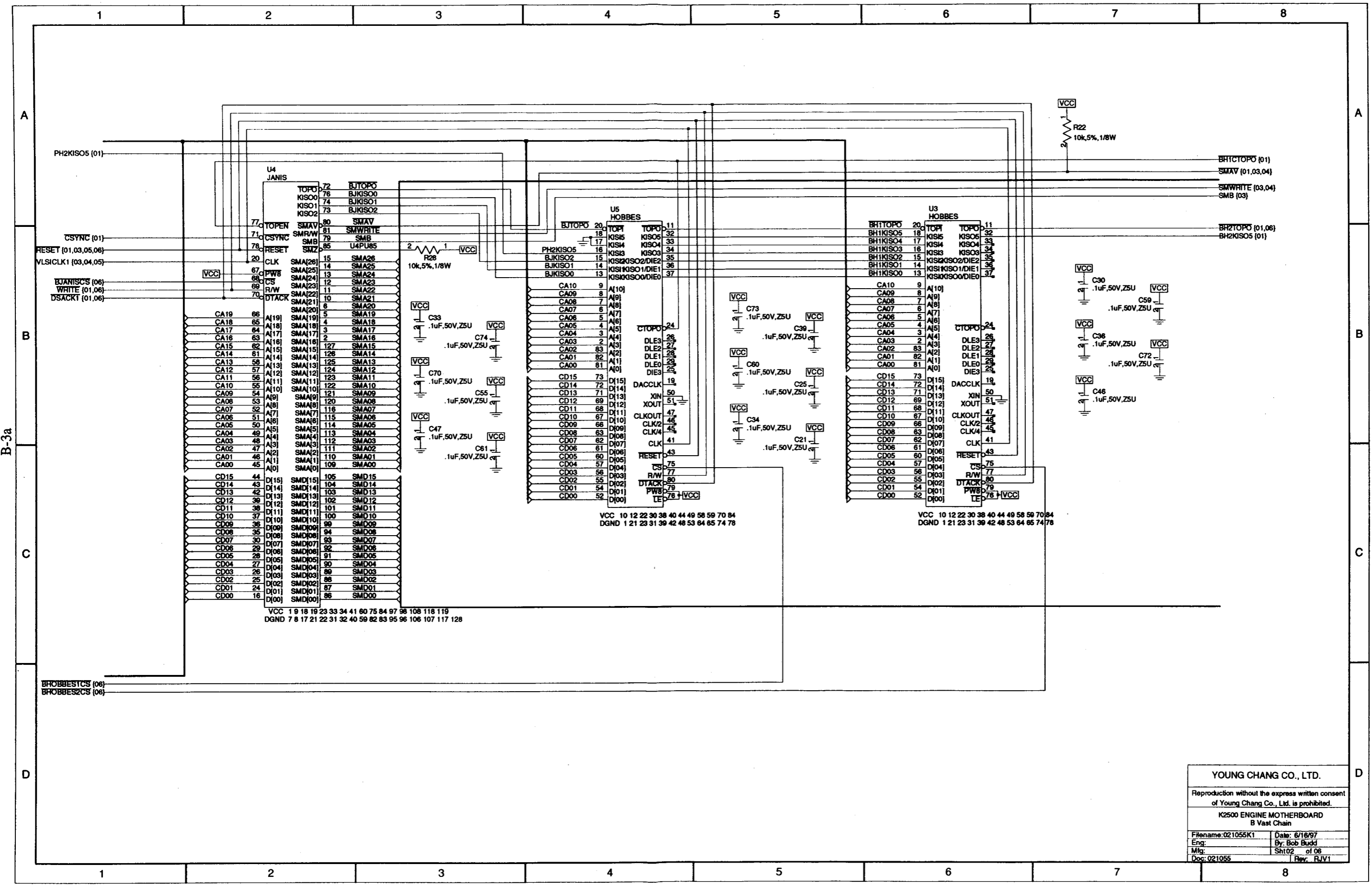
B-2a

YOUNG CHANG CO., LTD.

Reproduction without the express written consent of Young Chang Co., Ltd. is prohibited.

K2500 ENGINE MOTHERBOARD
P' Vast Chain, LISA, and DAC I/F

Filename: 021055K1	Date: 6/16/97
Eng: By: Bob Budd	
Mfg: Sht01	of 06
Doc: 021055	Rev: RJV1

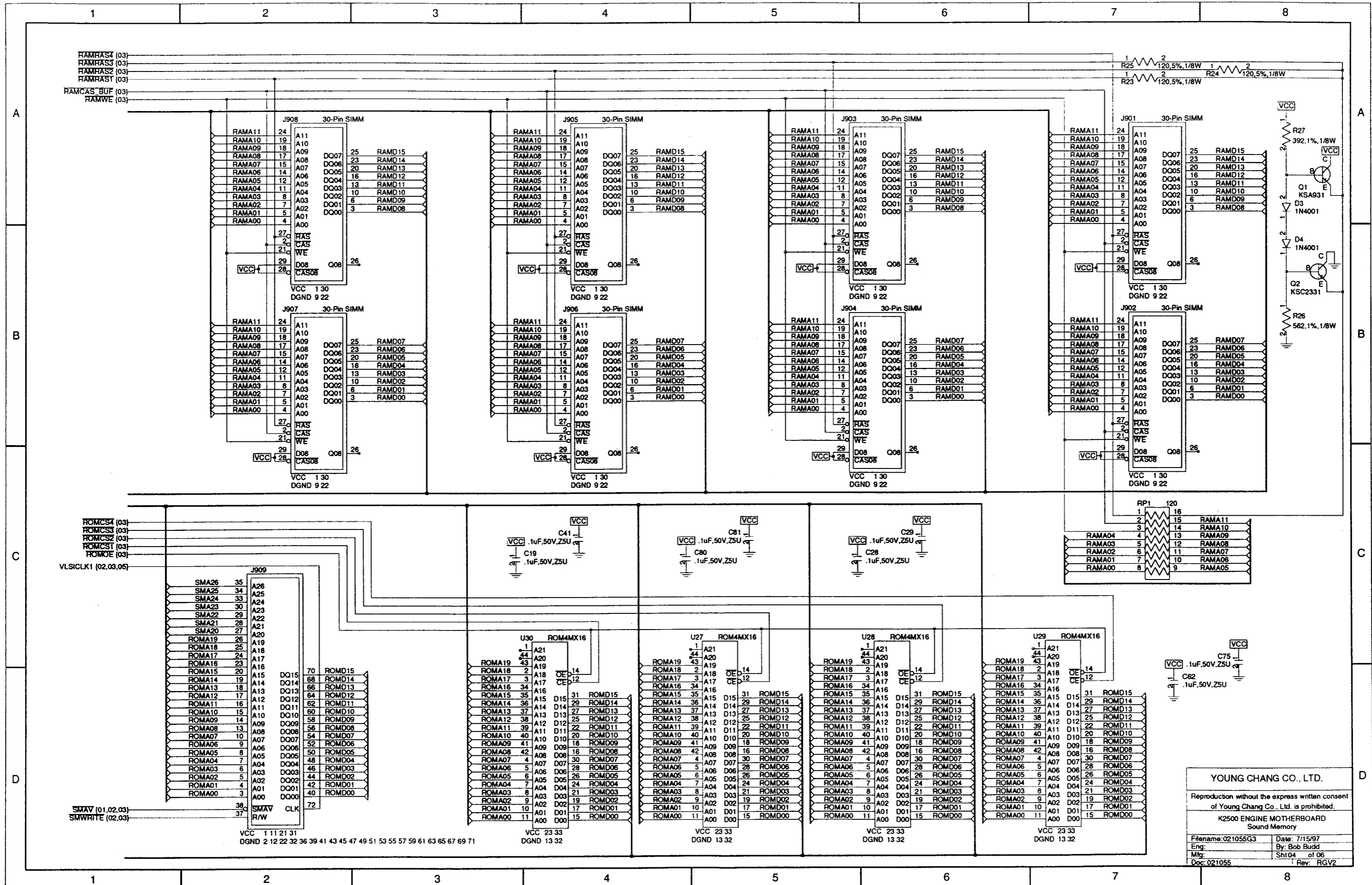


YOUNG CHANG CO., LTD.

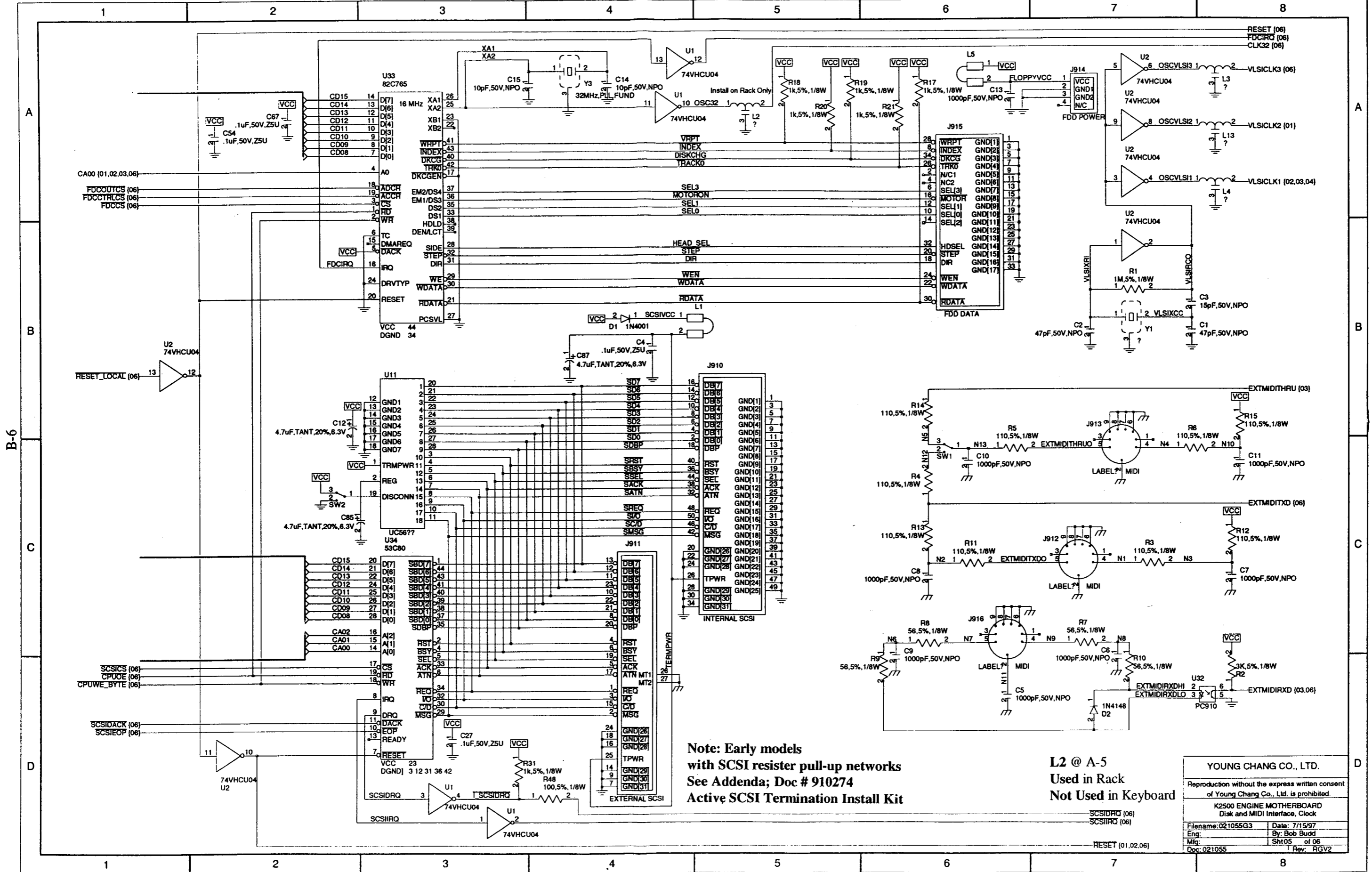
Reproduction without the express written consent of Young Chang Co., Ltd. is prohibited.

K2500 ENGINE MOTHERBOARD
B Vast Chain

Filename: 021055K1 Date: 6/18/97
Eng: By: Bob Budd
Mfg: Sht02 of 08
Doc: 021055 Rev: RJV1



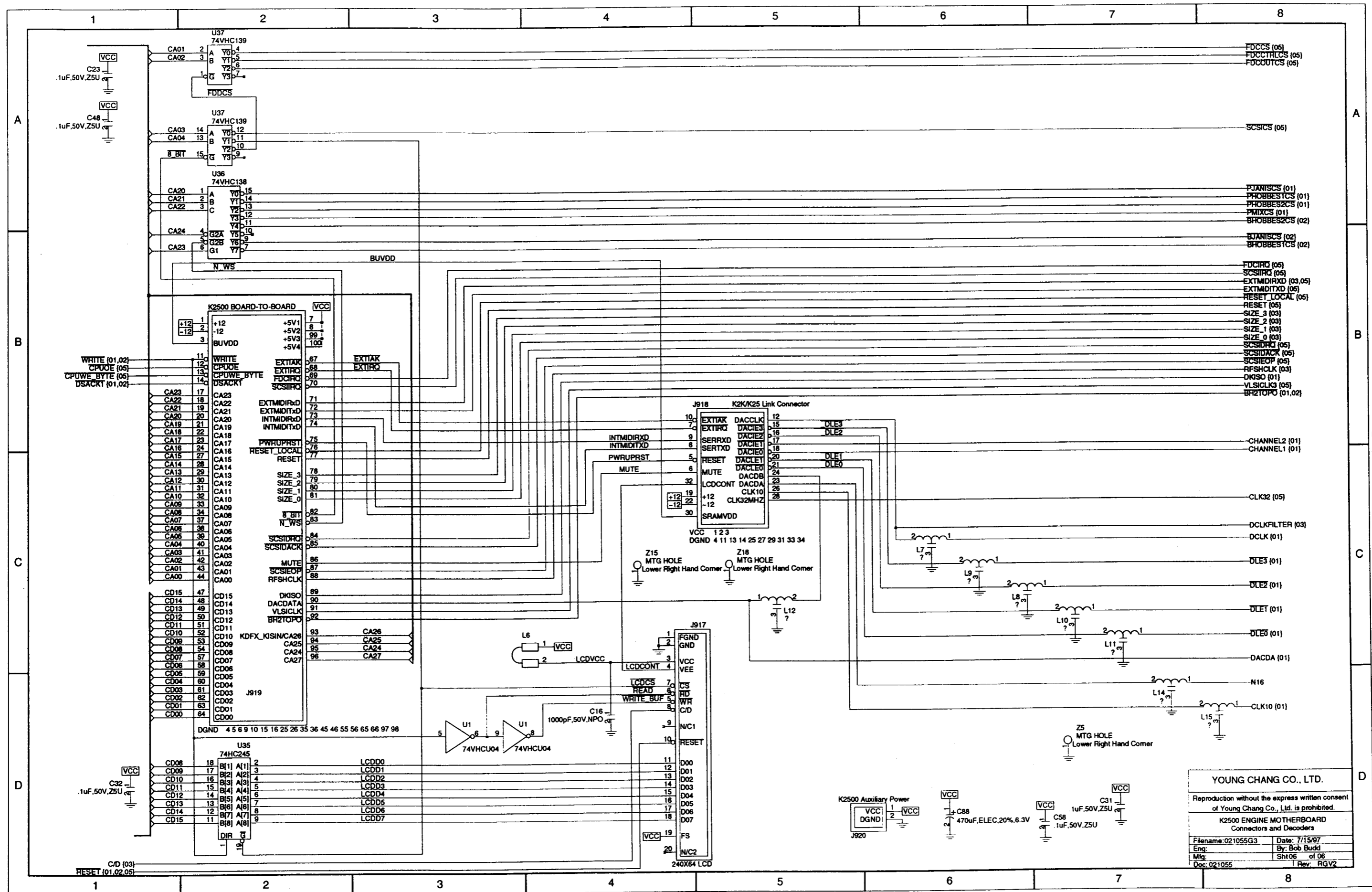
YOUNG CHANG CO., LTD.
 Reproduction without the express written consent
 of Young Chang Co., Ltd. is prohibited.
 K2500 ENGINE MOTHERBOARD
 Sound Memory
 Filename: 021055G3 Date: 7/15/97
 Eng: By: Bob Budd
 Mfr: of 06
 Doc: 021055 1 Rev: RGV2



Note: Early models
with SCSI resister pull-up networks
See Addenda; Doc # 910274
Active SCSI Termination Install Kit

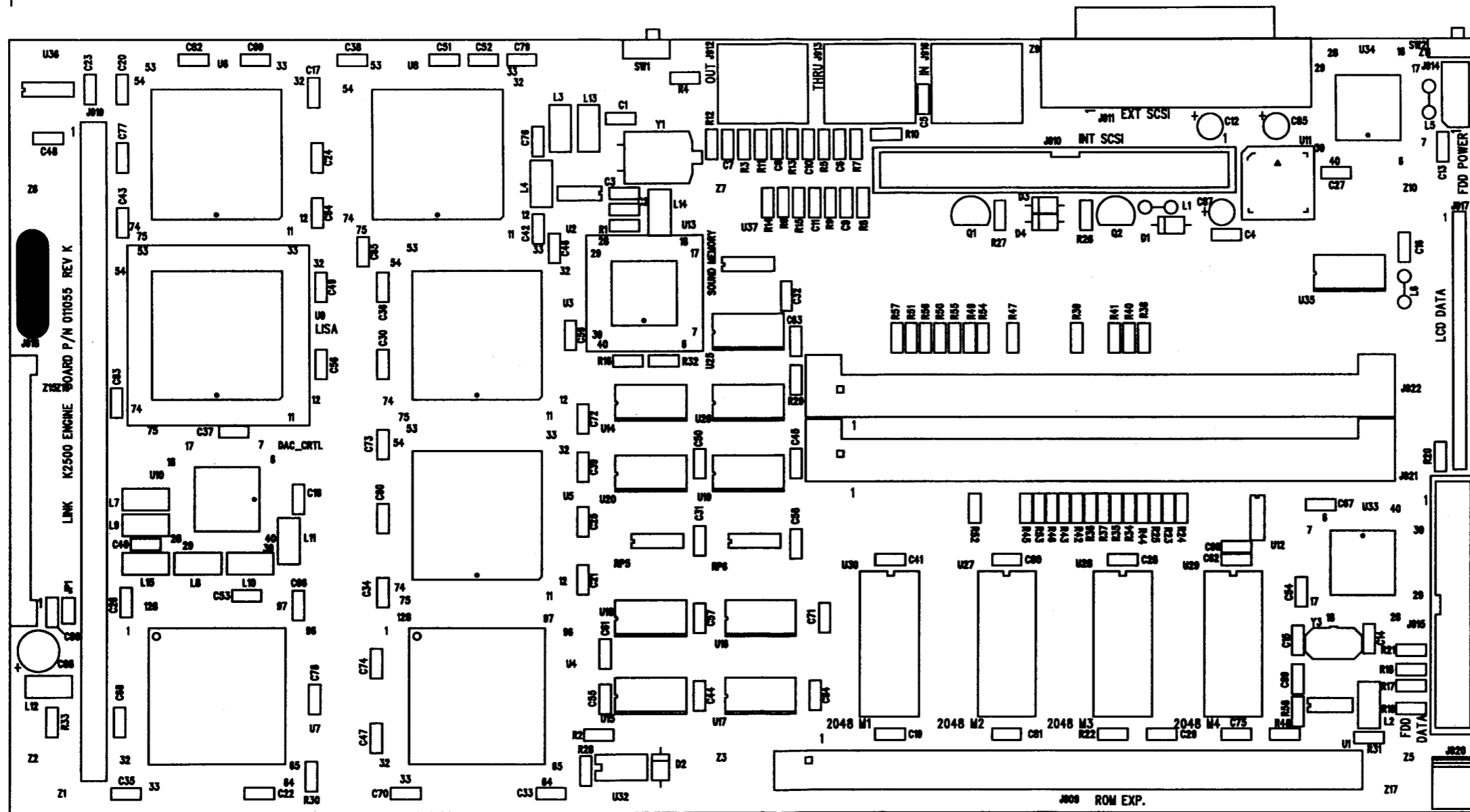
L2 @ A-5
Used in Rack
Not Used in Keyboard

YOUNG CHANG CO., LTD.	
Reproduction without the express written consent of Young Chang Co., Ltd. is prohibited.	
K2500 ENGINE MOTHERBOARD Disk and MIDI Interface, Clock	
Filename: 021055G3	Date: 7/15/97
Eng: By: Bob Budd	
Mfg: Sht05	Rev: 06
Doc: 021055	Rev: RGV2



YOUNG CHANG CO., LTD.
 Reproduction without the express written consent
 of Young Chang Co., Ltd. is prohibited.
 K2500 ENGINE MOTHERBOARD
 Connectors and Decoders
 Filename: 021055G3 Date: 7/15/97
 Eng: By: Bob Budd
 Mfg: Sh106 of 06
 Doc: 021055 Rev: RGV2

B-1a

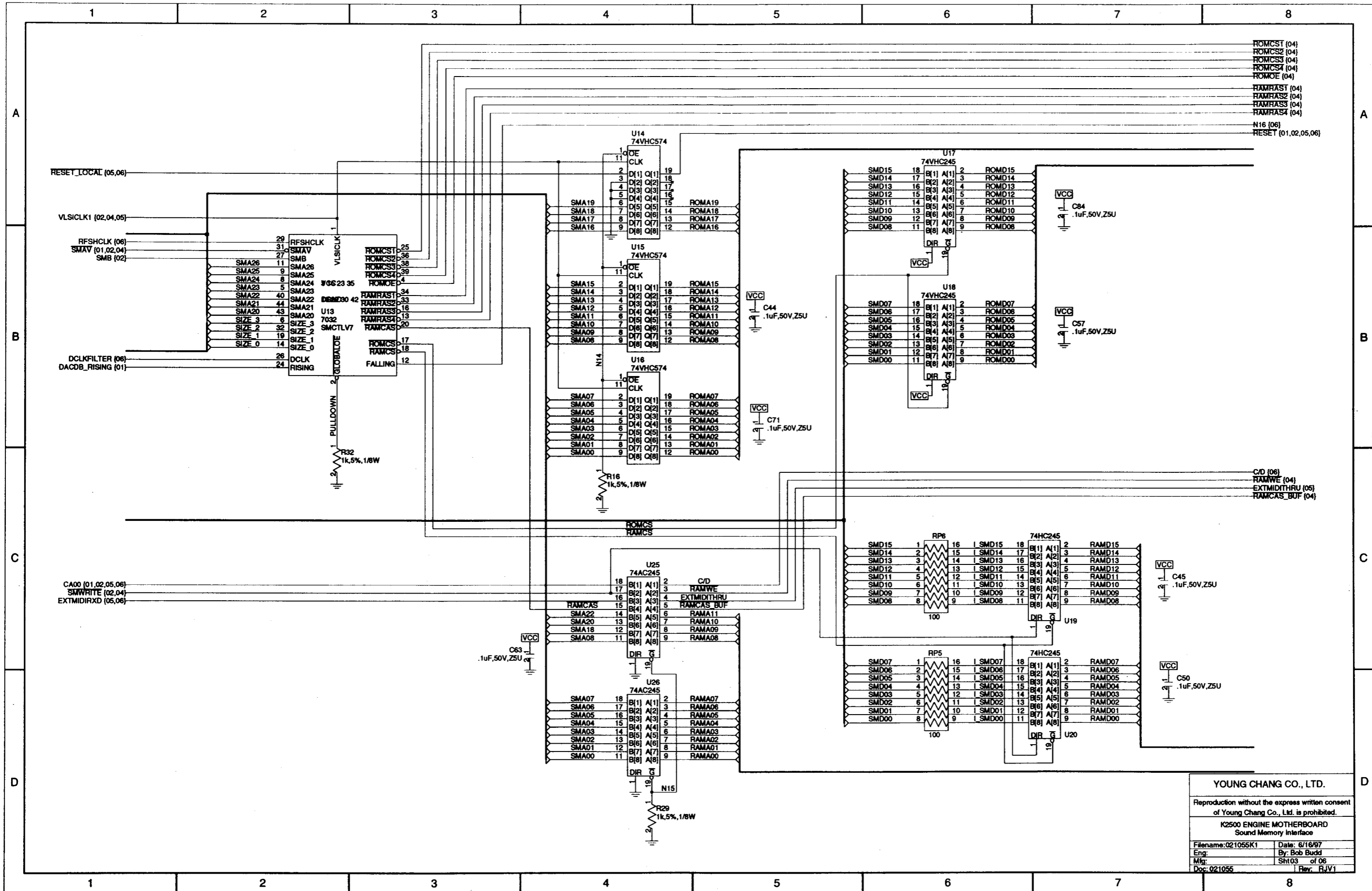


B-1a

YOUNG CHANG CO. YOUNG CHANG R&D INSTITUTE WALTHAM MA USA DUPLICATION WITHOUT THE EXPRESS WRITTEN CONSENT OF YOUNG CHANG AKKI CO. LTD IS PROHIBITED		
ENG: BOB BUDD	BY: DC DESIGN	
MFG:		
DOC# 010055 REV K	DATE: 2-22-97	

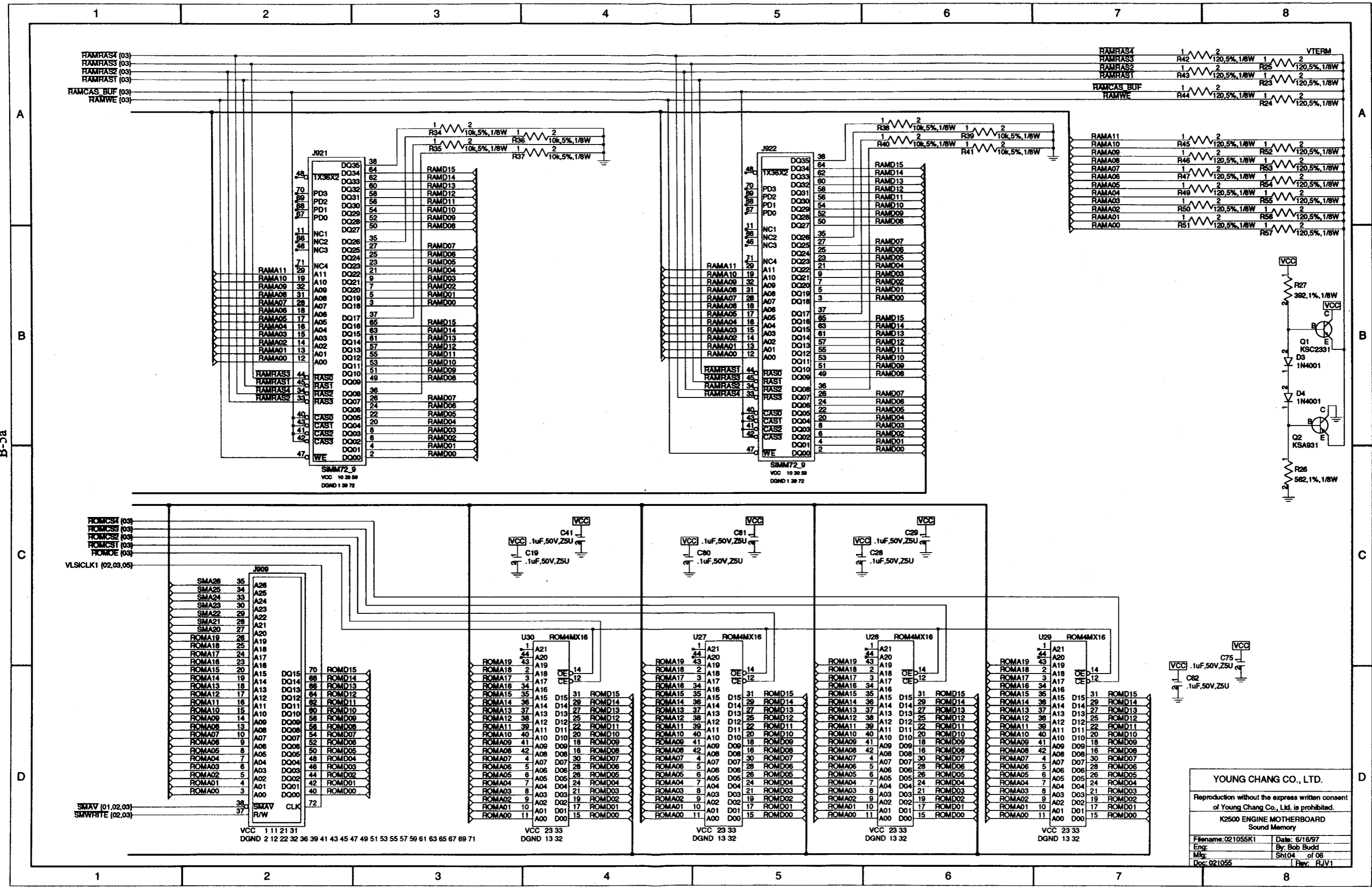
SILKSCREEN
 DC DESIGN (508-870-6305)
 K2500 MOTHER BOARD

L 2
 above
 used in Rack
 Not used in Keyboard

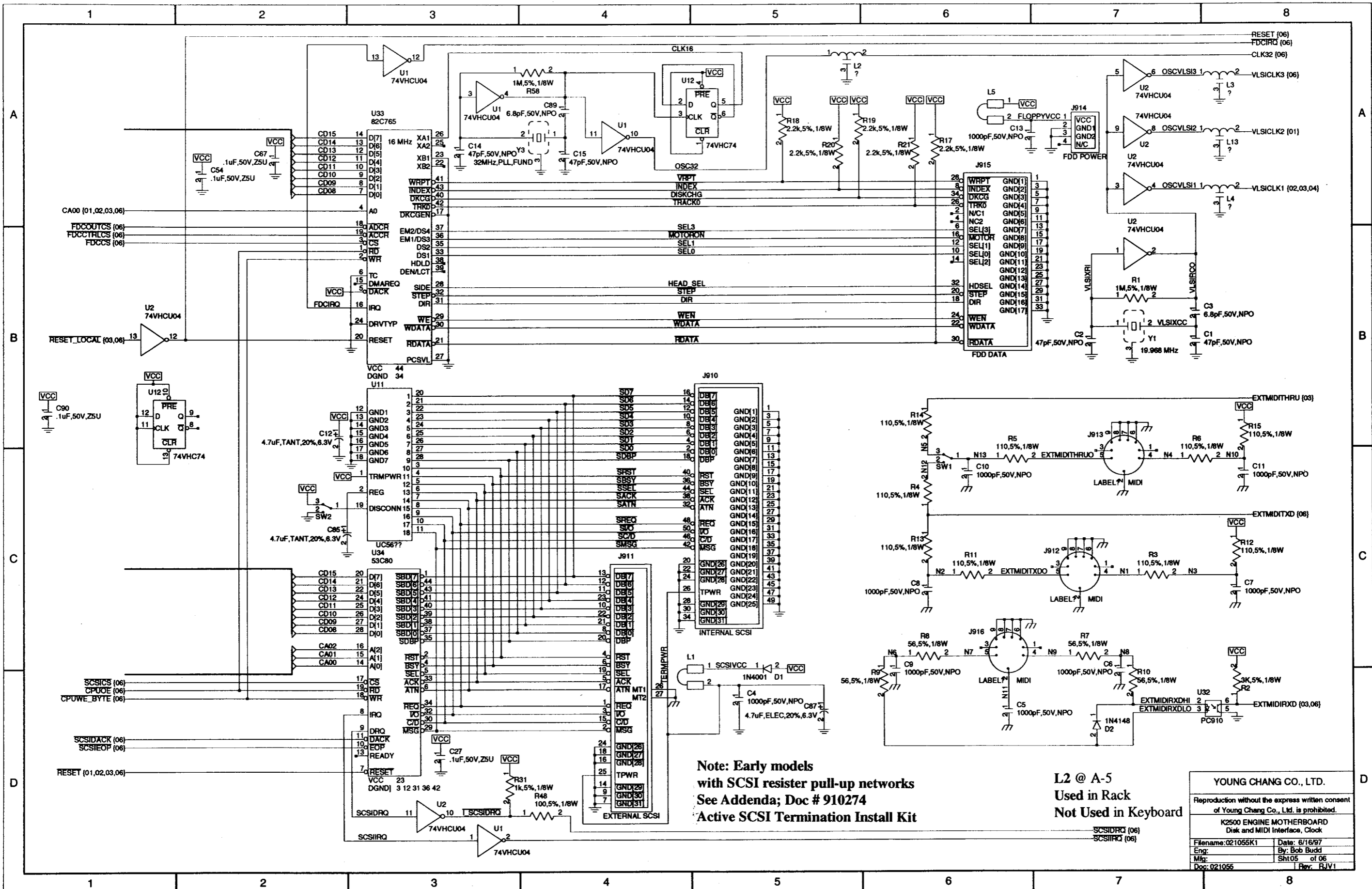


B-4a

YOUNG CHANG CO., LTD.
 Reproduction without the express written consent
 of Young Chang Co., Ltd. is prohibited.
 K2500 ENGINE MOTHERBOARD
 Sound Memory Interface
 Filename: 021055K1 Date: 6/16/97
 Eng: By: Bob Budd
 Mfg: Sht03 of 06
 Doc: 021055 Rev: RJV1



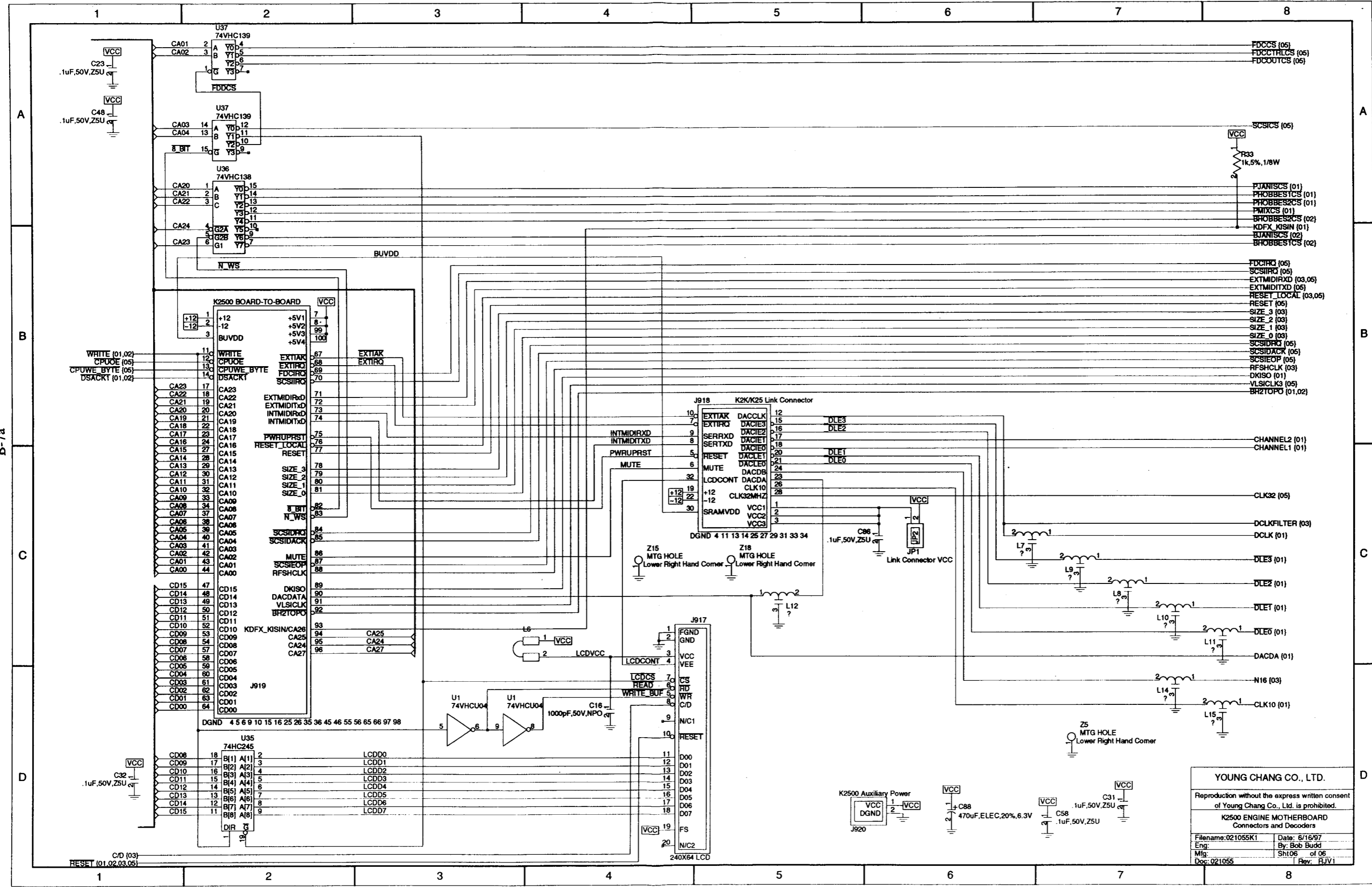
YOUNG CHANG CO., LTD.
 Reproduction without the express written consent of Young Chang Co., Ltd. is prohibited.
 K2500 ENGINE MOTHERBOARD
 Sound Memory
 Filename: 021055K1 Date: 6/16/97
 Eng: By: Bob Budd
 Mfg: Sh104 of 06
 Doc: 021055 Rev: RJV1



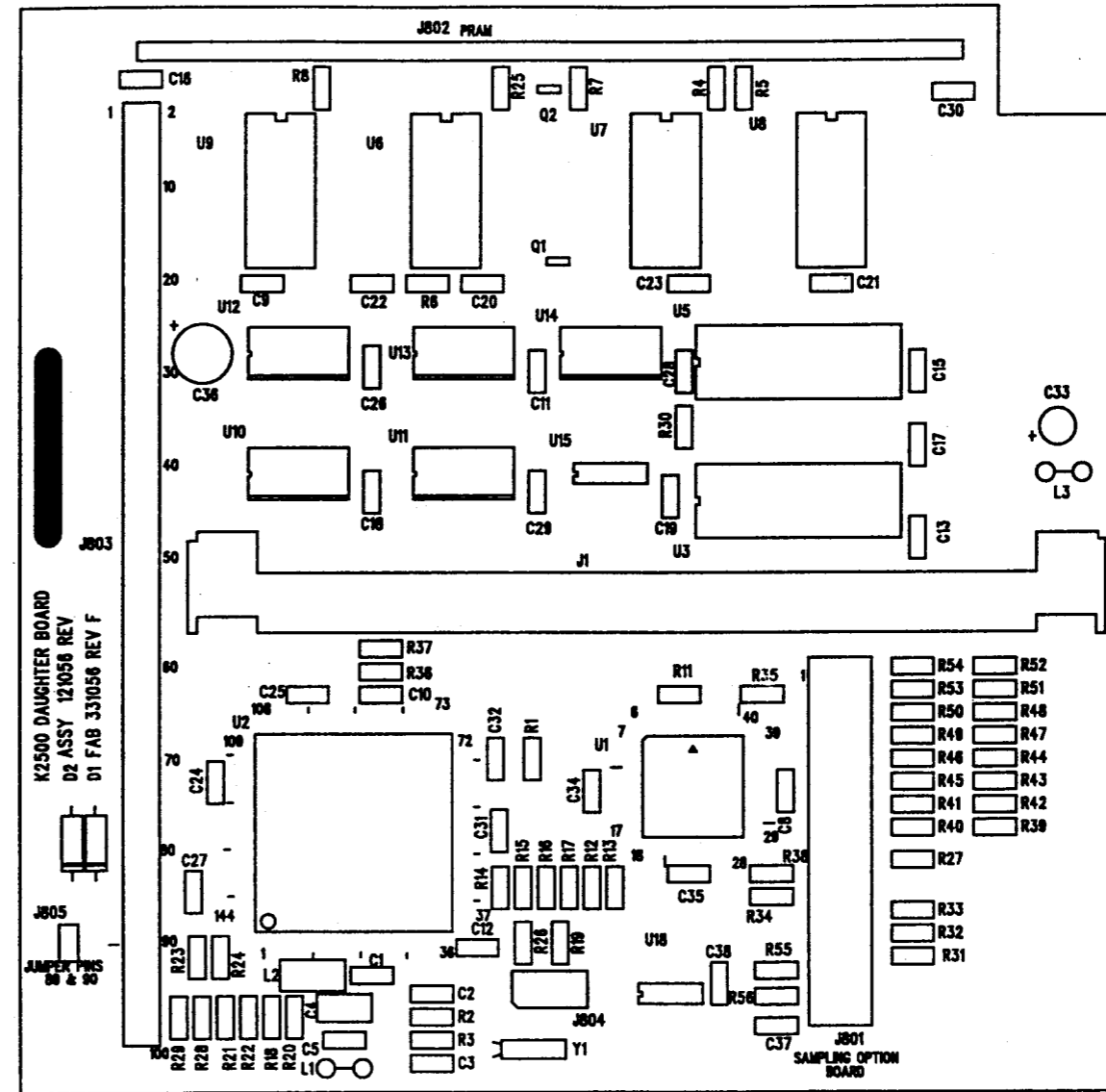
Note: Early models
with SCSI resistor pull-up networks
See Addenda; Doc # 910274
Active SCSI Termination Install Kit

L2 @ A-5
Used in Rack
Not Used in Keyboard

YOUNG CHANG CO., LTD.	
Reproduction without the express written consent of Young Chang Co., Ltd. is prohibited.	
K2500 ENGINE MOTHERBOARD Disk and MIDI Interface, Clock	
Filename: 021055K1	Date: 6/16/97
Eng: Bob Budd	Mfg: Sht05 of 06
Doc: 021055	Rev: RJV1

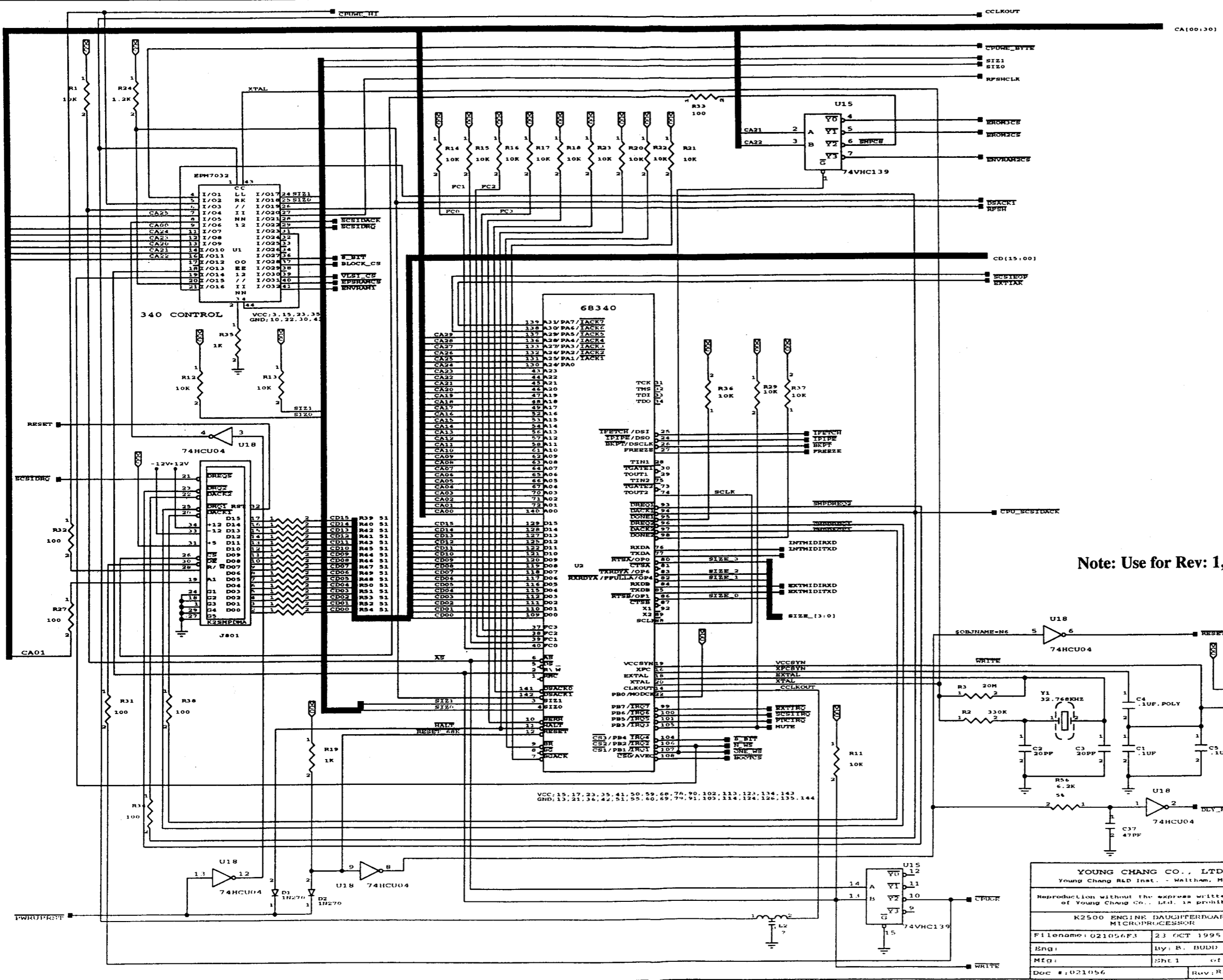


YOUNG CHANG CO., LTD.
 Reproduction without the express written consent of Young Chang Co., Ltd. is prohibited.
 K2500 ENGINE MOTHERBOARD
 Connectors and Decoders
 Filename: 021055K1 Date: 6/16/97
 Eng: By: Bob Budd
 Mfg: Sht06 of 06
 Doc: 021055 Rev: RJV1



K2500 DAUGHTER BOARD
 D2 ASSY 121056 REV
 01 FAB 331056 REV F

YOUNG CHANG AKKI CO., LTD. SILKSCREEN
 1700 -550 0.0 1 100 10
 K2500 DAUGHTER BOARD 011056 REV F 10-6-95



Note: Use for Rev: 1, 2, 3

YOUNG CHANG CO., LTD.
 Young Chang R&D Inst. - Waltham, MA, USA

Reproduction without the express written consent of Young Chang Co., Ltd. is prohibited.

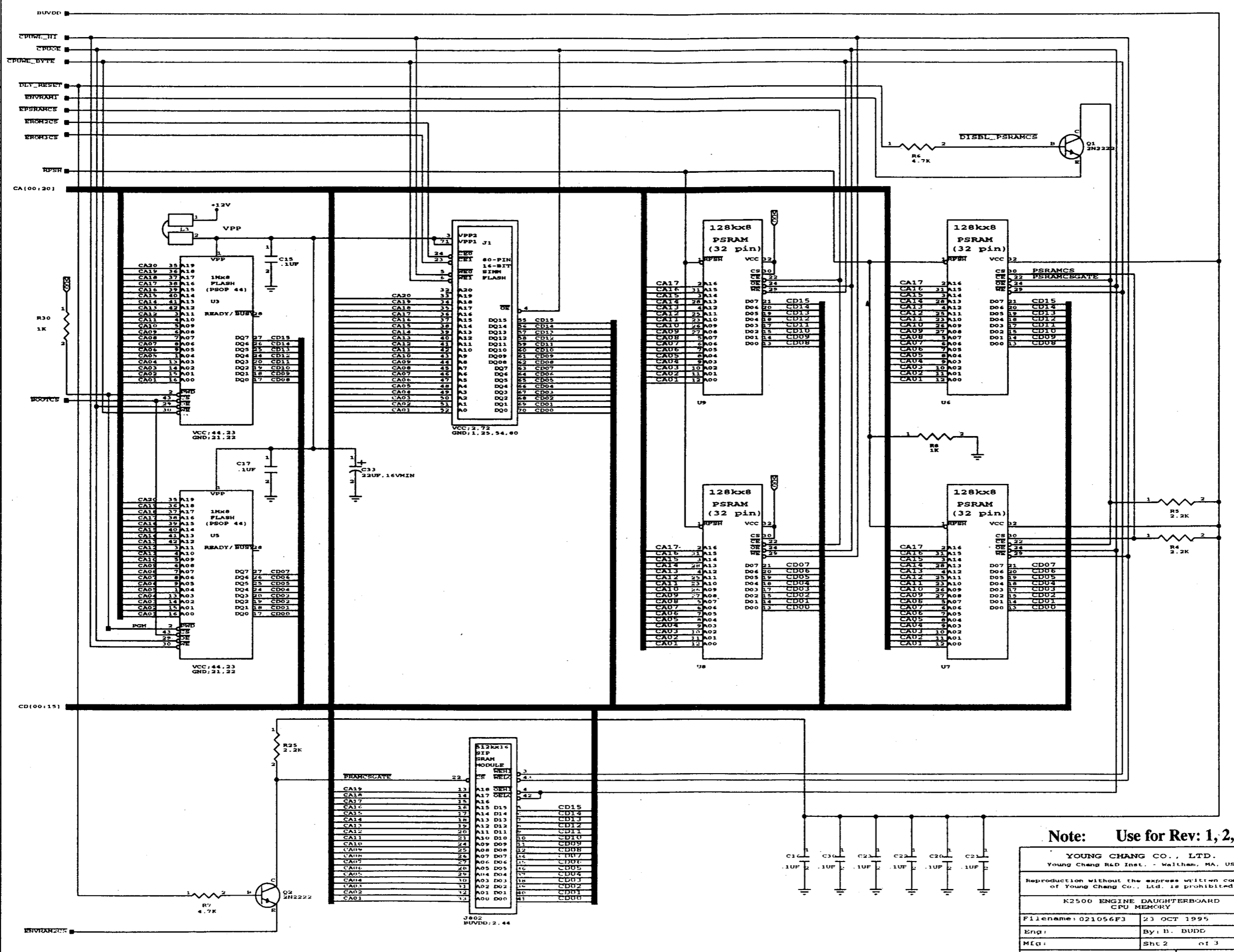
K2500 ENGINE DAUGHTERBOARD MICROPROCESSOR

Filename: 021056F3 23 OCT 1995

Eng: By: B. BUDI

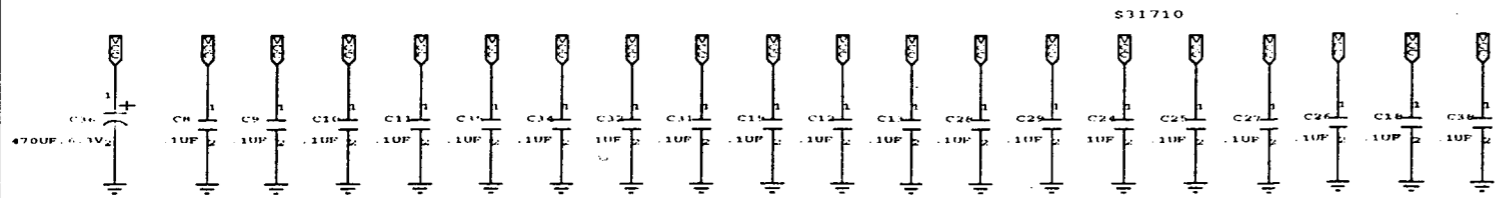
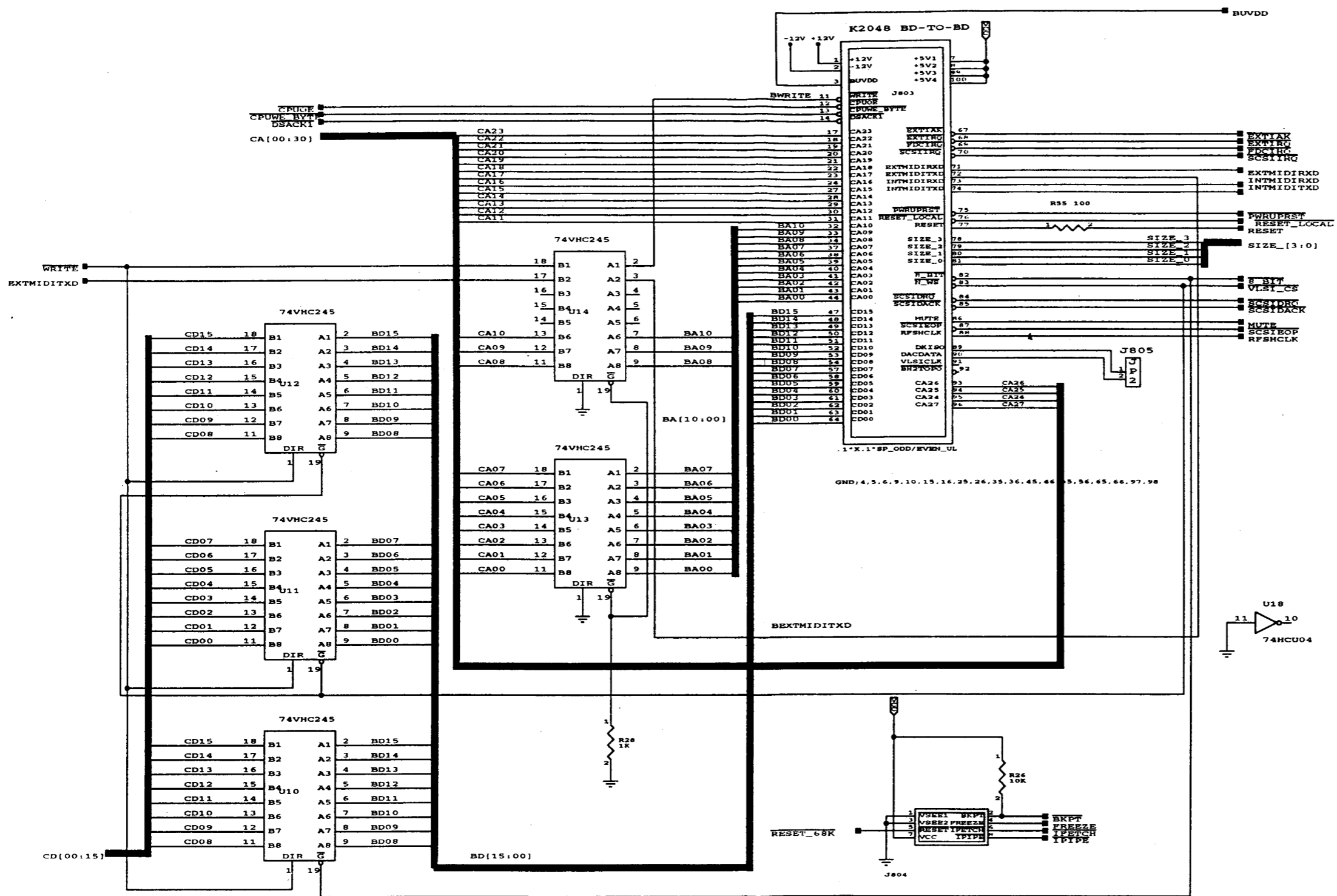
MEG: Sht 1 of 3

Doc #: 021056 Rev: REV1



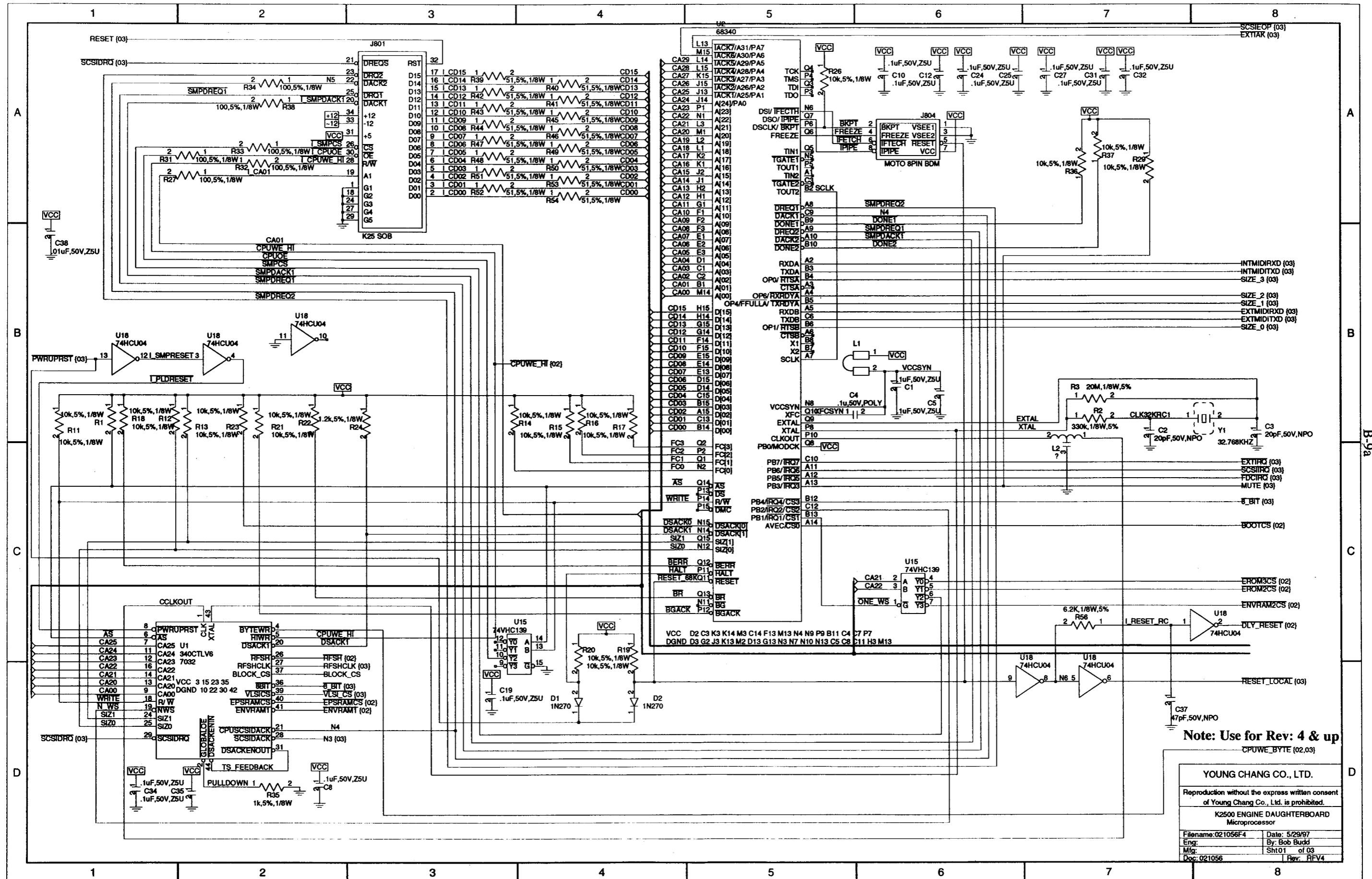
Note: Use for Rev: 1, 2, 3

YOUNG CHANG CO., LTD. Young Chang R&D Inst. - Waltham, MA, USA	
Reproduction without the express written consent of Young Chang Co., Ltd. is prohibited	
K2500 ENGINE DAUGHTERBOARD CPU MEMORY	
Filename: 021056F3	23 OCT 1995
Eng: _____	By: B. BUDD
MCQ: _____	Shc 2 of 3
Doc #: 021056	Rev: RPV.1



Note: Use for Rev: 1, 2, 3

YOUNG CHANG CO., LTD. Young Chang R&D Inst. - Waltham, MA, USA	
Reproduction without the express written consent of Young Chang Co., Ltd. is prohibited.	
K2500 ENGINE DAUGHTERBOARD BUFFERS, CONNECTOR, MISC LOGIC	
Filename: 021056F3	23 OCT 1995
Eng:	By: E. RUDD
MEG:	Sht 3 of 3
Doc #: 021056	rev: RPU1



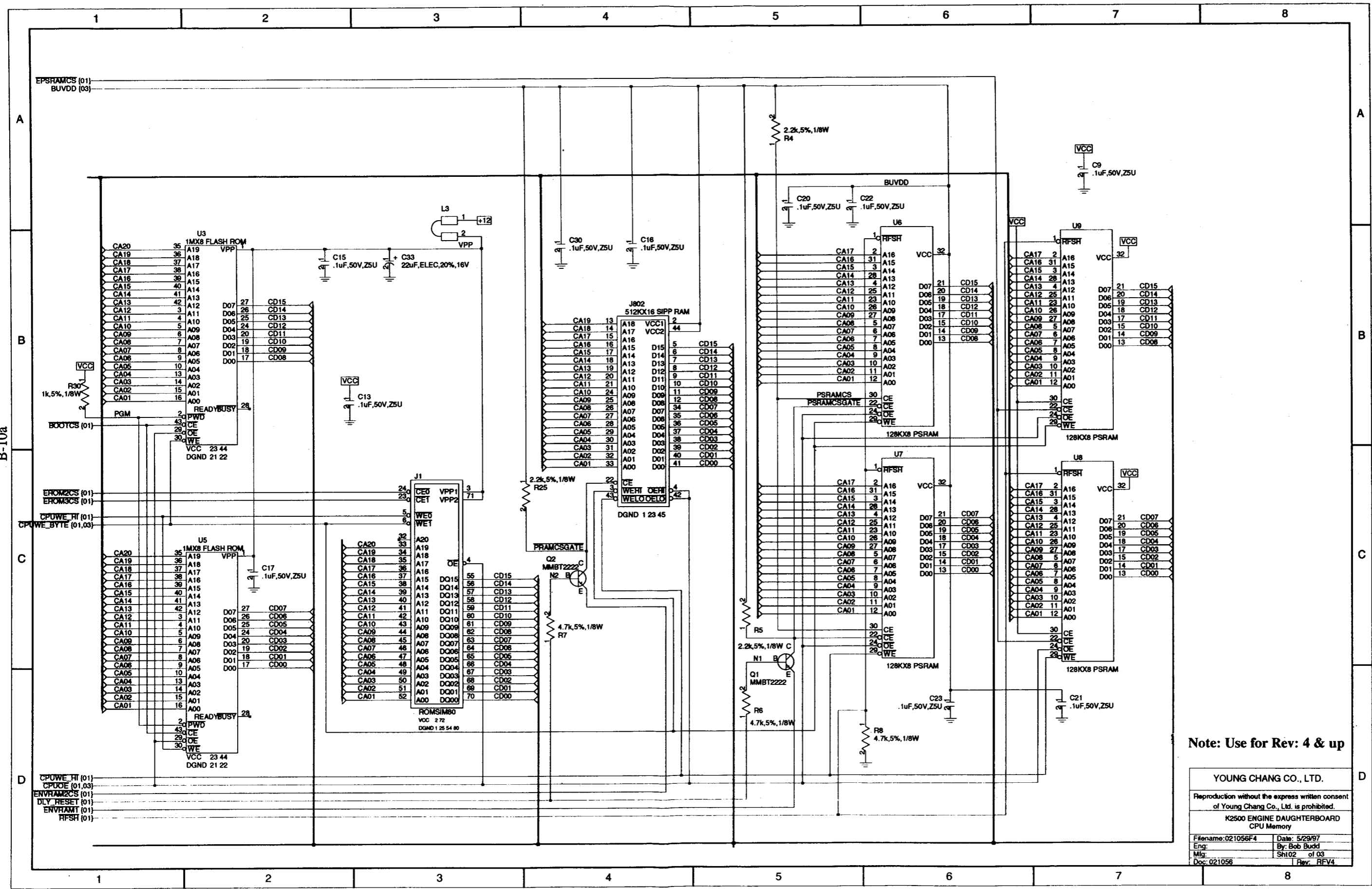
Note: Use for Rev: 4 & up
CPUWE_BYTE (02,03)

YOUNG CHANG CO., LTD.

Reproduction without the express written consent of Young Chang Co., Ltd. is prohibited.

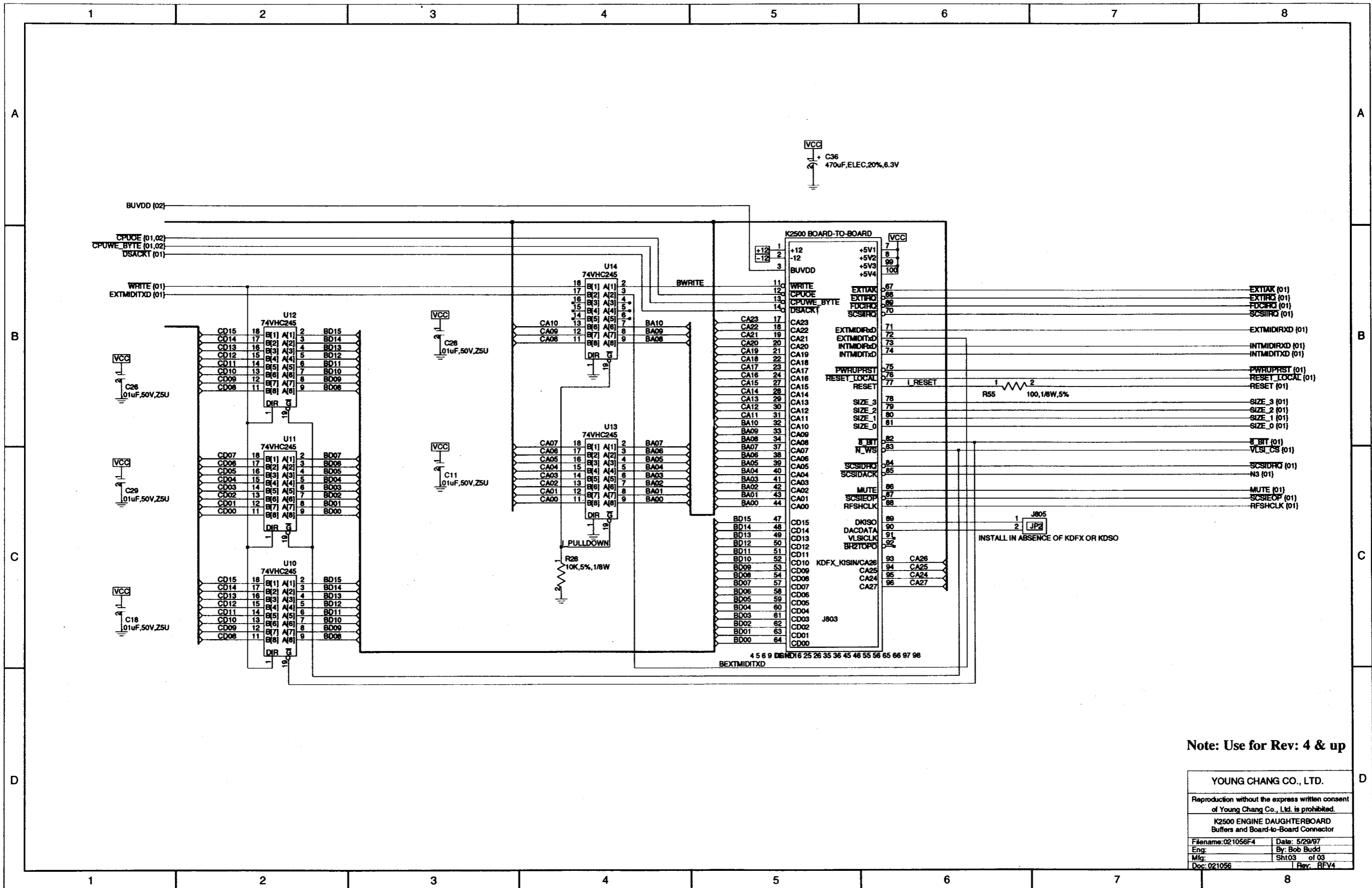
K2500 ENGINE DAUGHTERBOARD
Microprocessor

Filename: 021056F4	Date: 5/29/97
Eng: Bob Budd	By: Bob Budd
Mfg: Sht01 of 03	
Doc: 021056	Rev: RFV4



Note: Use for Rev: 4 & up

YOUNG CHANG CO., LTD.	
Reproduction without the express written consent of Young Chang Co., Ltd. is prohibited.	
K2500 ENGINE DAUGHTERBOARD CPU Memory	
Filename: 021056F4	Date: 5/29/97
Eng:	By: Bob Budd
Mfg:	Sh102 of 03
Doc: 021056	Rev: RFV4



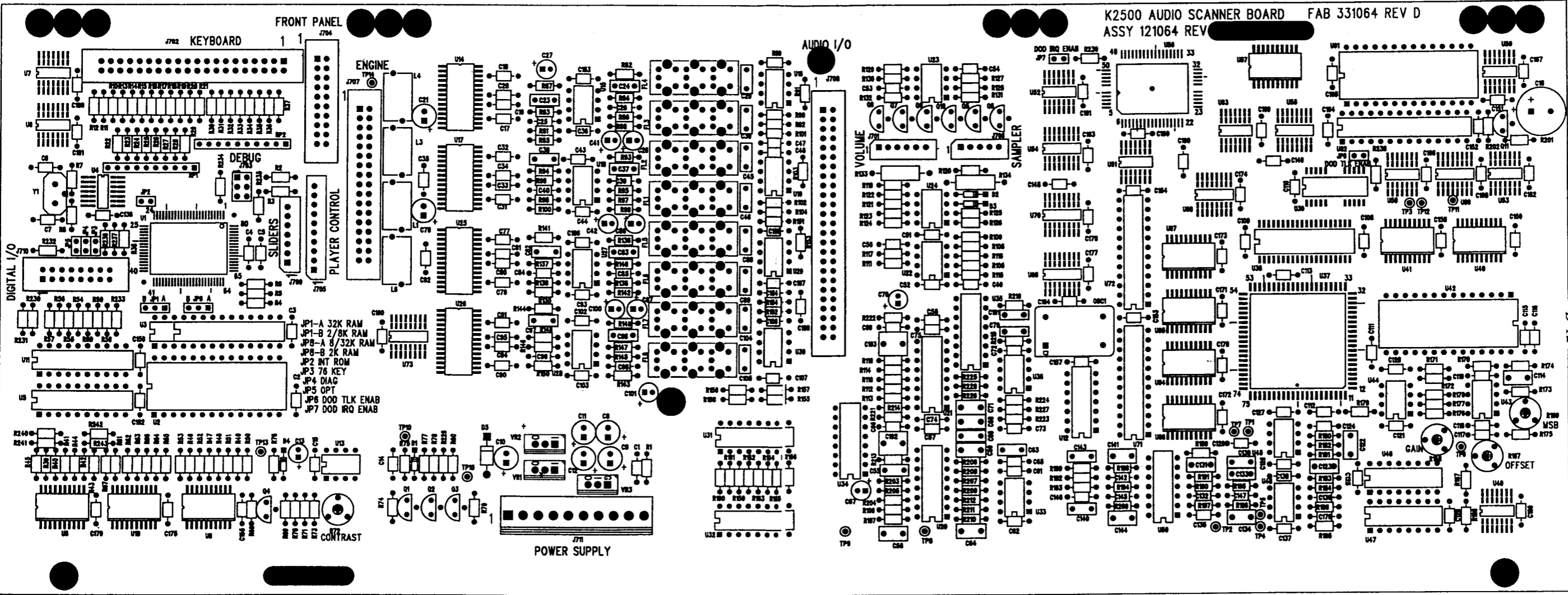
B-11a

Note: Use for Rev: 4 & up

YOUNG CHANG CO., LTD.	
Reproduction without the express written consent of Young Chang Co., Ltd. is prohibited.	
K2500 ENGINE DAUGHTERBOARD Buffers and Board-to-Board Connector	
Filename: 021056F4	Date: 5/29/97
Eng: Bob Budd	By: Bob Budd
Mfg: Sht03 of 03	Rev: RFV4
Doc: 021056	

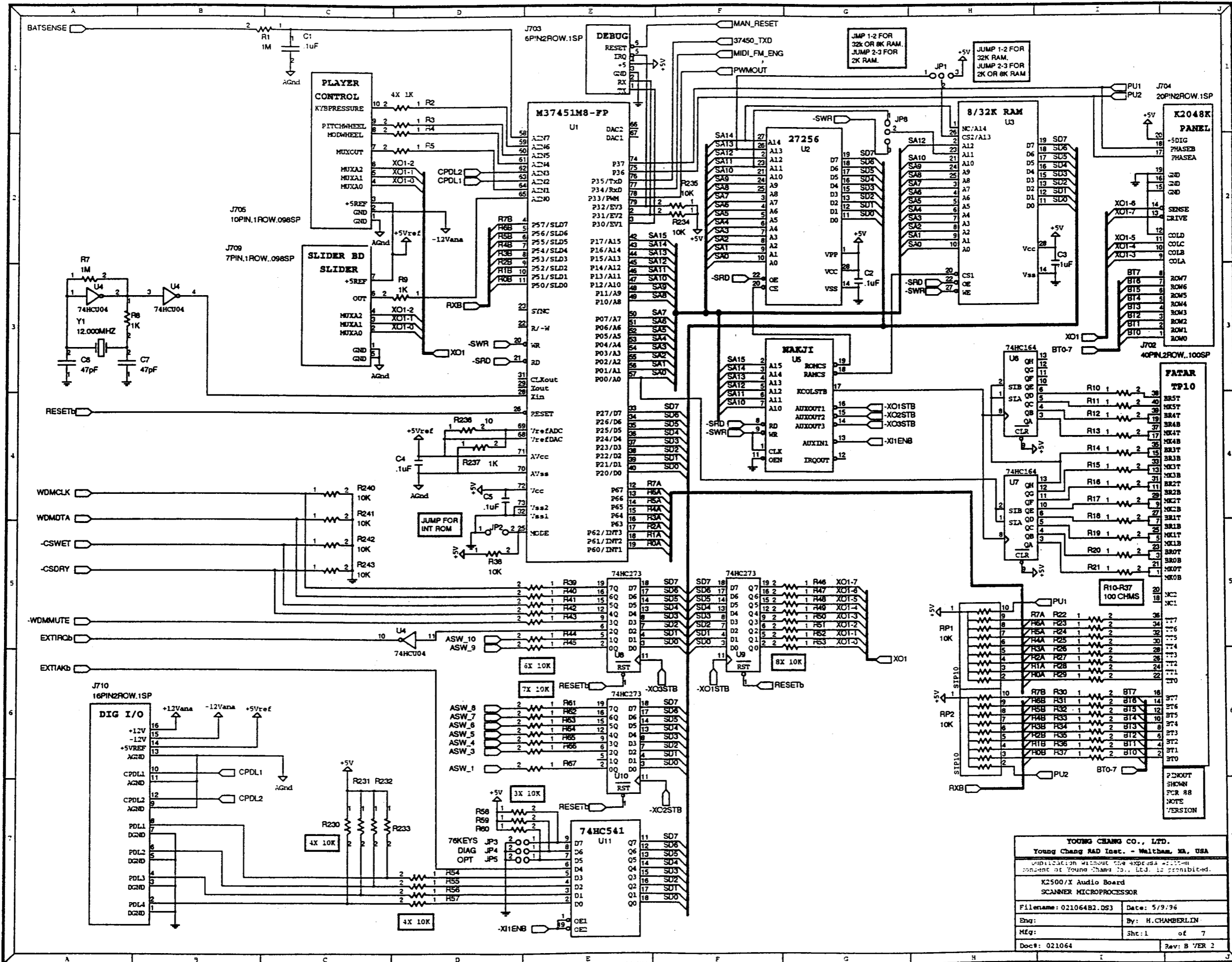
B-12

B-12



K2500 / K2500X

AUDIO / SCANNER SILKSCREEN



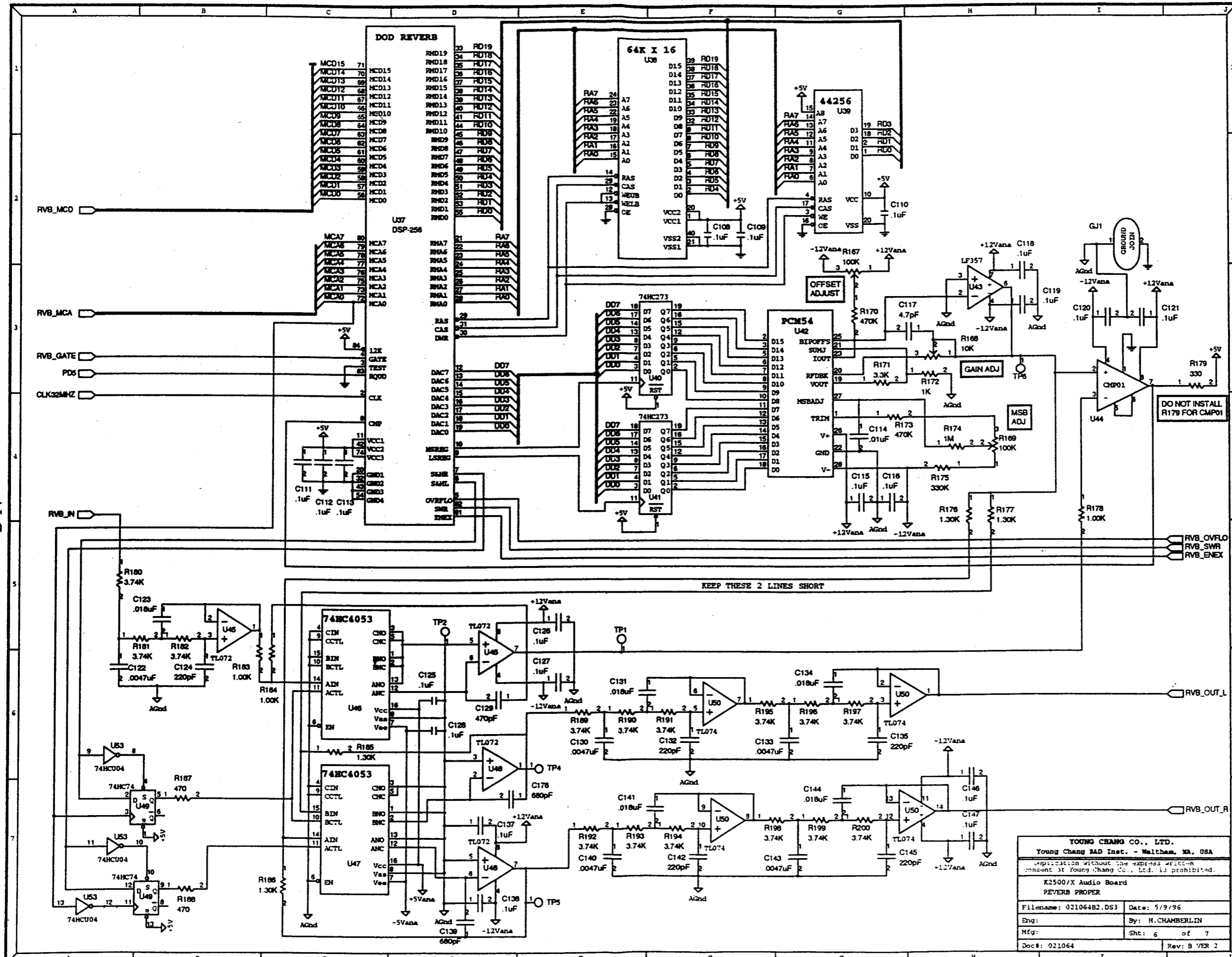
B-13

YOUNG CHANG CO., LTD. Young Chang RAD Inst. - Waltham, MA, USA	
Duplication without the express written consent of Young Chang Co., Ltd. is prohibited.	
K2500/Y Audio Board SCANNER MICROPROCESSOR	
Filename: 021064B2.DS3	Date: 5/9/96
Eng: _____	By: H. CHAMBERLIN
Mag: _____	Sheet: 1 of 7
Doc#: 021064	Rev: B VER 2

DEV1

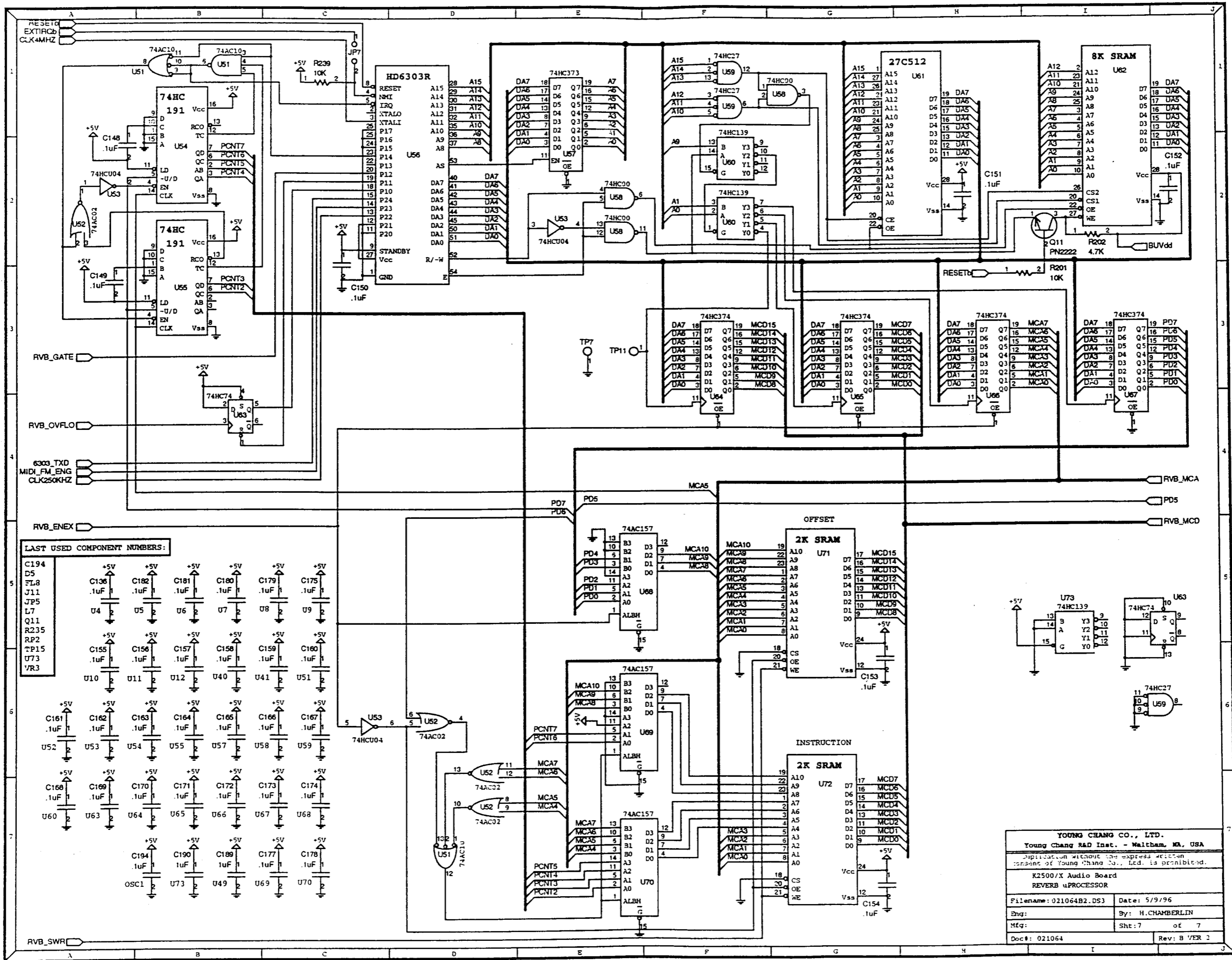
B-14

B-14



YOUNG CHANG CO., LTD.
 Young Chang IAD Inst. - Waltham, MA, USA
 Duplication without the express written consent of Young Chang Co., Ltd. is prohibited.
 K2500/X Audio Board
 REVERB PROPER
 Filename: 021064B2.DS3 Date: 5/9/96
 Eng: By: H. CHAMBERLIN
 Mfg: Sht: 6 of 7
 Doc#: 021064 Rev: B VER 2

EV6



LAST USED COMPONENT NUMBERS:

C194	+5V	+5V	+5V	+5V	+5V	+5V
D5	C136	C182	C181	C180	C179	C175
FL8	.1uF	.1uF	.1uF	.1uF	.1uF	.1uF
J11	U4	U5	U6	U7	U8	U9
JP5						
L7						
Q11	+5V	+5V	+5V	+5V	+5V	+5V
R235	C155	C156	C157	C158	C159	C160
RP2	.1uF	.1uF	.1uF	.1uF	.1uF	.1uF
TP15	U10	U11	U12	U40	U41	U51
U73						
VR3						
	+5V	+5V	+5V	+5V	+5V	+5V
	C161	C162	C163	C164	C165	C166
	.1uF	.1uF	.1uF	.1uF	.1uF	.1uF
	U52	U53	U54	U55	U57	U58
	+5V	+5V	+5V	+5V	+5V	+5V
	C168	C169	C170	C171	C172	C173
	.1uF	.1uF	.1uF	.1uF	.1uF	.1uF
	U60	U63	U64	U65	U66	U67
	+5V	+5V	+5V	+5V	+5V	+5V
	C194	C190	C189	C177	C178	C178
	.1uF	.1uF	.1uF	.1uF	.1uF	.1uF
	OSC1	U73	U49	U69	U70	

YOUNG CHANG CO., LTD.
 Young Chang R&D Inst. - Waltham, MA, USA

Application without the express written consent of Young Chang Co., Ltd. is prohibited.

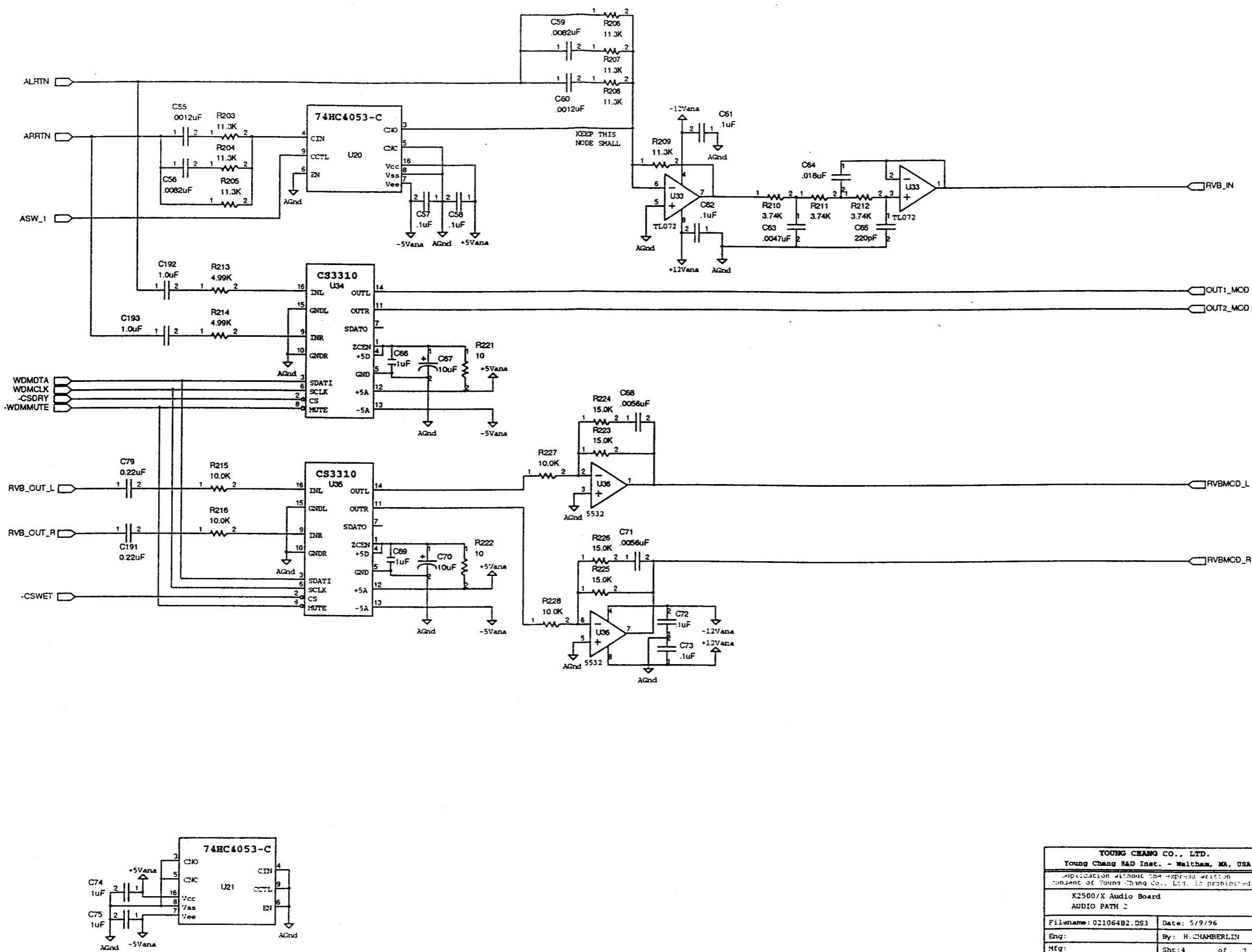
**K2500/X Audio Board
 REVERB uPROCESSOR**

Filename: 021064B2.DS3	Date: 5/9/96
Eng: _____	By: H.CHAMBERLIN
Mfg: _____	Sht: 7 of 7
Doc#: 021064	Rev: B VER 3

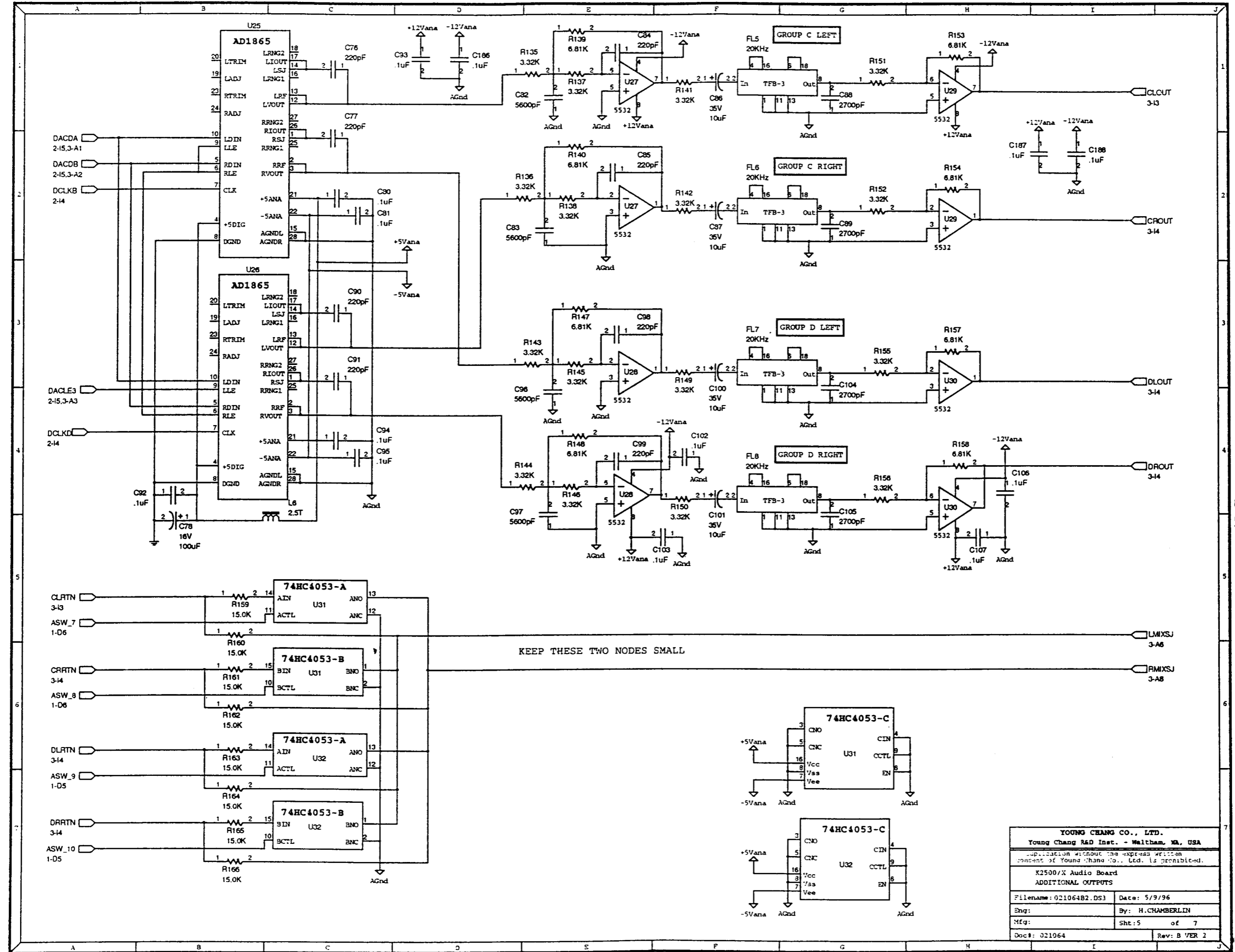
B-15

B-16

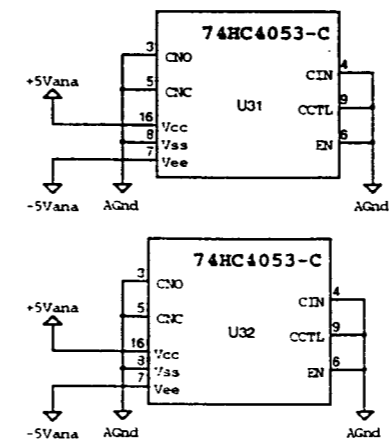
B-16



YOUNG CHANG CO., LTD.	
Young Chang R&D Inst. - Waltham, MA, USA	
Duplication without the express written consent of Young Chang Co., Ltd. is prohibited.	
K2500/X Audio Board	
AUDIO PATH 2	
Filename: 021064B2.DS3	Date: 5/9/96
Eng:	By: H. CHAMBERLIN
Mfg:	Sht: 4 of 7
Doc#: 021064	Rev: B VER 2



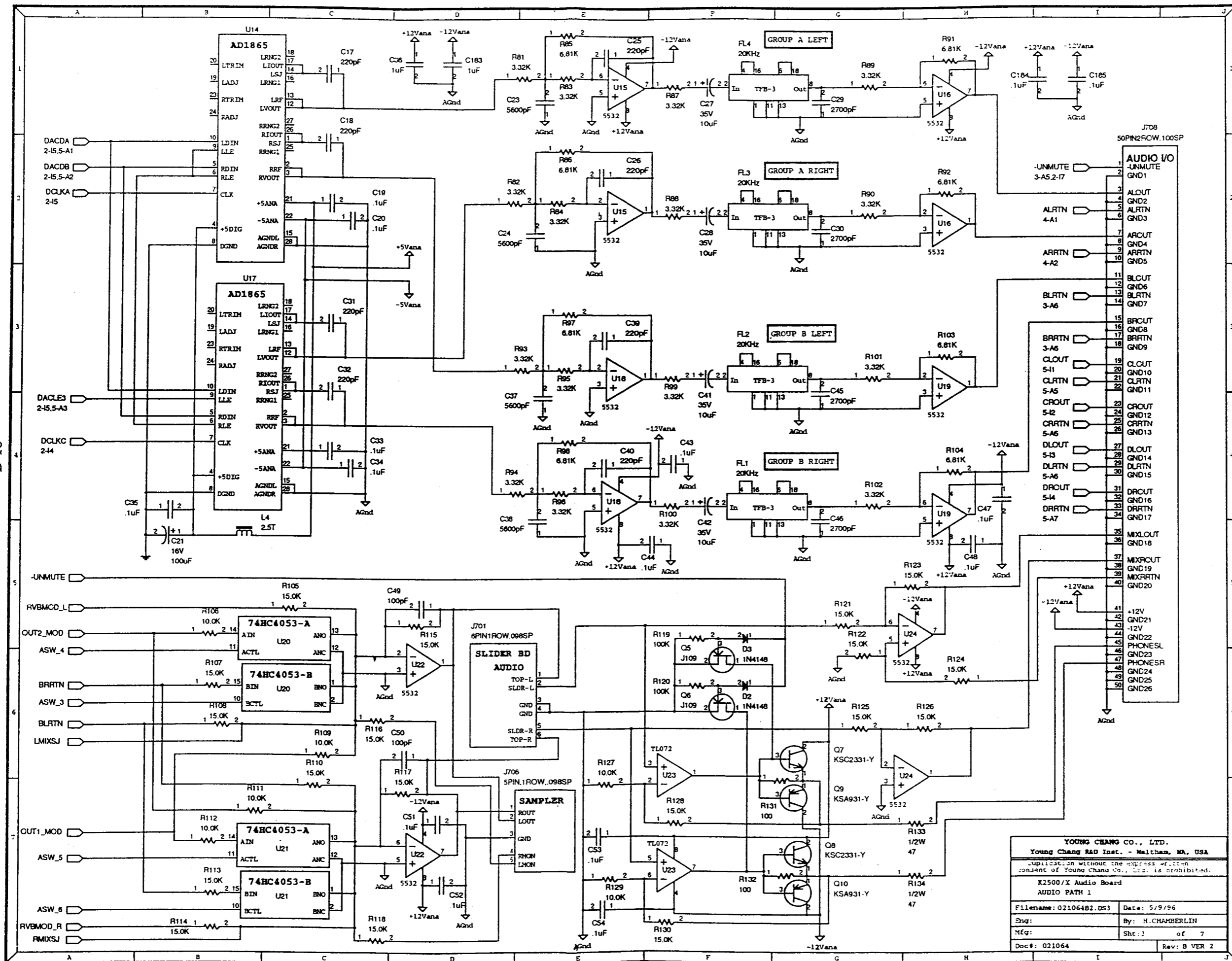
KEEP THESE TWO NODES SMALL



YOUNG CHANG CO., LTD.	
Young Chang R&D Inst. - Waltham, MA, USA	
Application without the express written consent of Young Chang Co., Ltd. is prohibited.	
K2500/X Audio Board	
ADDITIONAL OUTPUTS	
Filename: 021064B2.DS3	Date: 5/9/96
Eng:	By: H. CHAMBERLIN
Mfg:	Sht: 5 of 7
Doc#: 021064	Rev: B VER 2

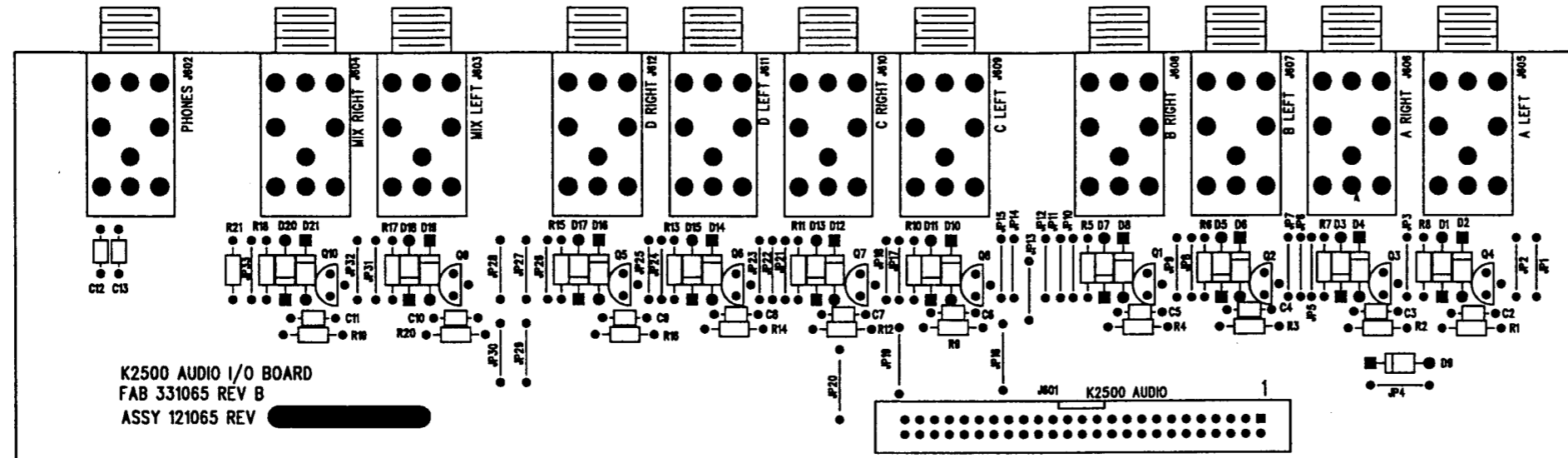
B-17

EV5



YOUNG CHANG CO., LTD. Young Chang R&D Inst. - Walcham, MA, USA <small>Reproduction without the express written consent of Young Chang Co., Ltd. is prohibited.</small>	
K2500/X Audio Board AUDIO PATH 1	
Filename: 021064B2.DS3	Date: 5/9/96
Eng: _____	By: H. CHAMBERLIN
Mgr: _____	Sht: _____ of 7
Doc#: 021064	Rev: B VER 2

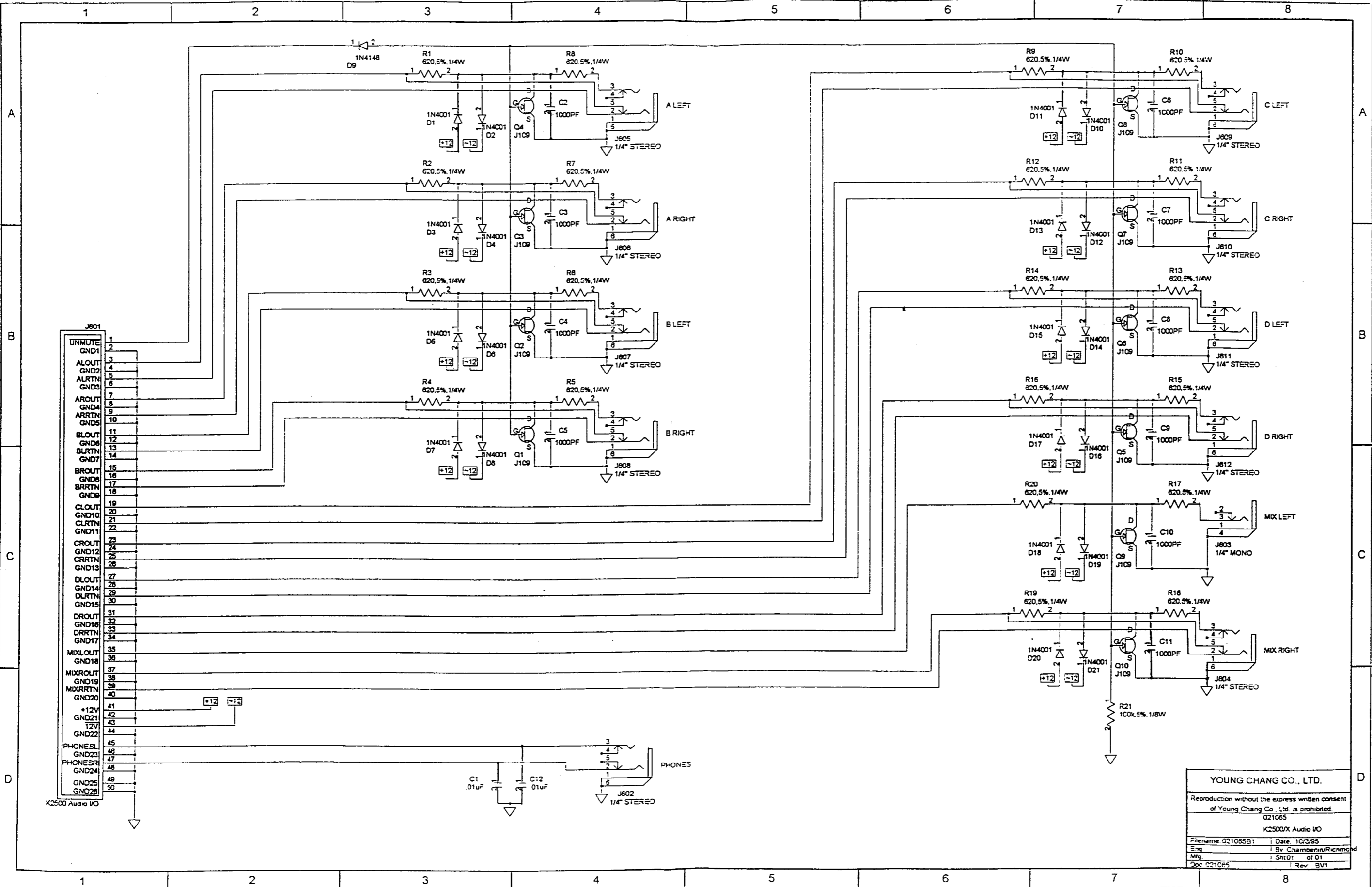
REVISIONS			
LTR	DESCRIPTION	DATE	APPROVED
A	RELEASED TO PRODUCTION		MJR
B	ADDED C12 & C13	9-18-95	MJR



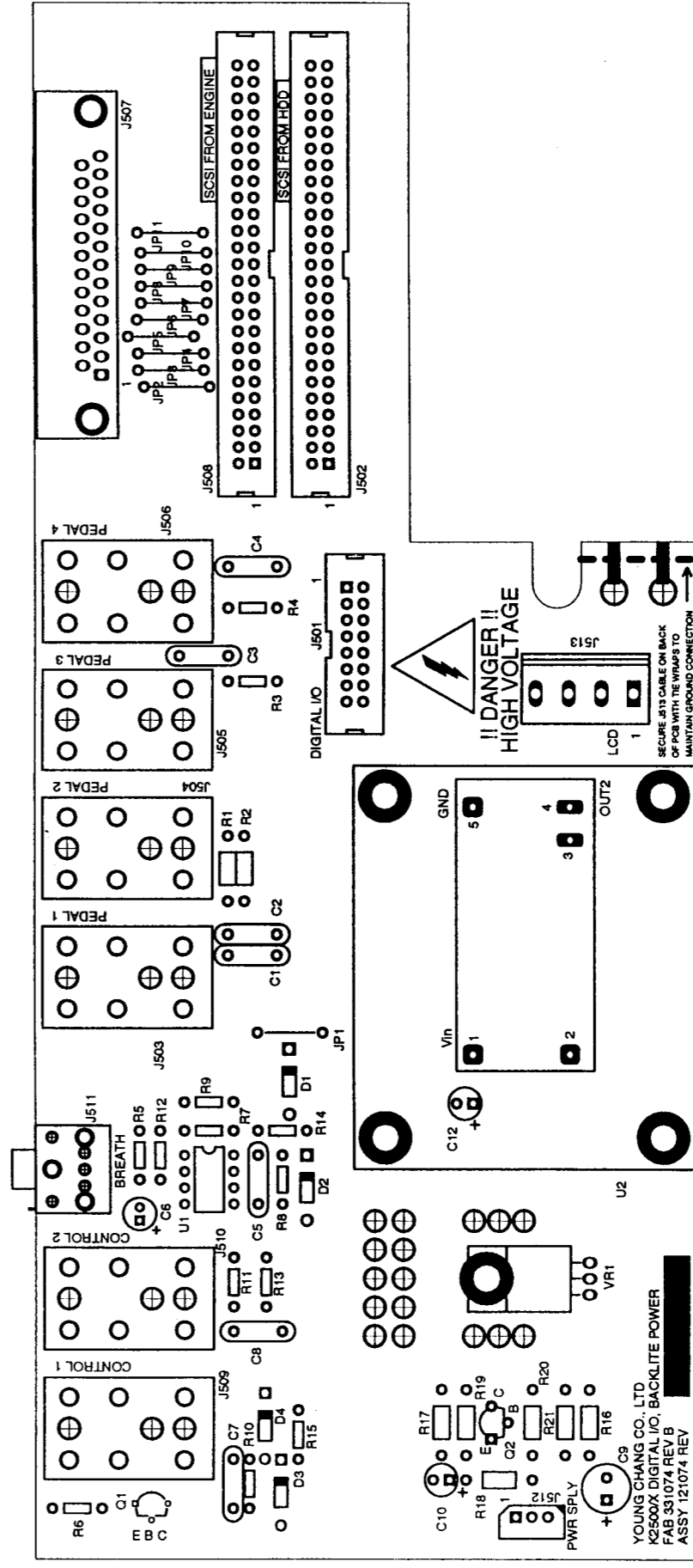
NOTE: TRIM EXCESS LEAD LENGTHS OF J602 THRU J612 TO A MAXIMUM LENGTH OF .050 (.125 MM) FROM BOTTOM SURFACE OF BOARD.

PART NO.	UNLESS OTHERWISE SPECIFIED DIMENSIONS ARE IN INCHES TOLERANCES .XX ± .02 .XXX ± .005 ANGLES ± 1 DEG. REMOVE BURRS AND SHARP EDGES DO NOT SCALE DRAWING	YOUNG CHANG CO.		
USED ON		TITLE ASSEMBLY AUDIO I/O BOARD		
MATERIAL		DRAWN	D.E.C.	
FINISH		CHECKED		
	APPROVED		SIZE	DRAWING NO.
	APPROVED			121065
	APPROVED		SCALE	NONE
			SHEET	1 OF
				REV B

B-19



YOUNG CHANG CO., LTD.
 Reproduction without the express written consent
 of Young Chang Co., Ltd. is prohibited.
 021065
 K2500/X Audio I/O
 Filename: 021065B1 Date: 10/2/95
 Eng. By: Chamboen/Richmond
 Mfg. Sh: 01 of 01
 Doc: 021065 1 Rev: BV1



Note: 1

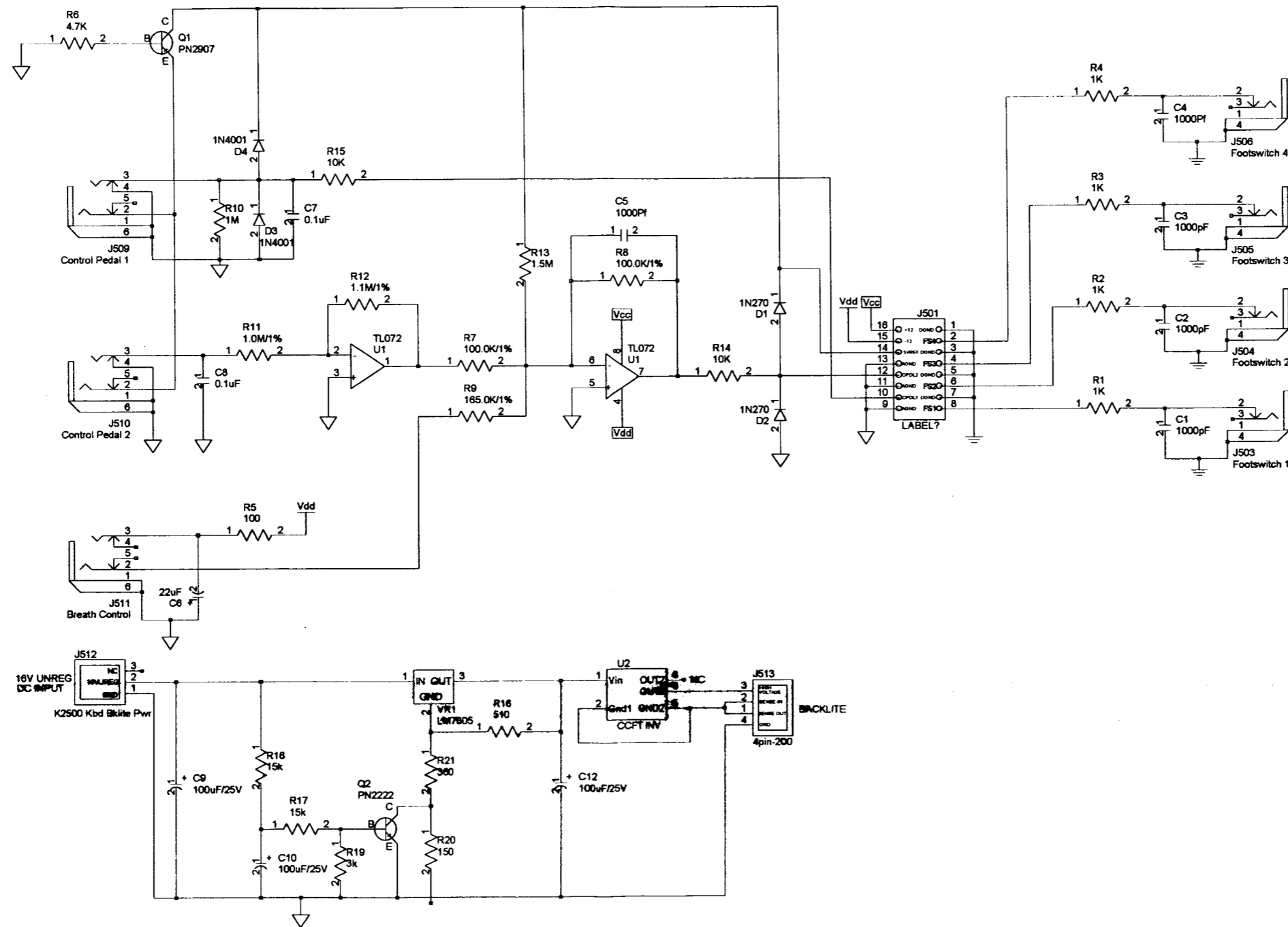
Q1 Silkscreen is reversed on Rev A PCB's
Remove and re-install Q1 correctly.

Note: 2

D3&4 are 1N4148 are tack soldered on
Rev: A PCBs

YOUNG CHANG AKKI CO., LTD	
Young Chang Akki Inc. - Watertown, MA, USA	
Declaration without the express written consent of	
Young Chang Akki Co., Ltd. is prohibited.	
K2500X DIGITAL I/O BACKLITE PWR PCB	SILK SCREEN
Artwork	
Eng: M. RICHMOND	Dr:
Mfg:	Sm: 1
Doc #: 011074	Rev: B

Note: Q1 @ A-2 is correct as drawn
Silkscreen is reversed



YOUNG CHANG CO., LTD.
 Reproduction without the express written consent
 of Young Chang Co., Ltd. is prohibited.
 K2500 Kbd Digital I/O/Backlight PCB
 Backlight Power, Pedal I/O
 Filename 021074A2 Date: 8/5/87
 Eng. M. Richmond By: M. Lindi/P. Leahy
 Mfg Sht01 of 02
 Doc. 021074 Rev. RAV2

1 2 3 4 5 6 7 8

A

A

B

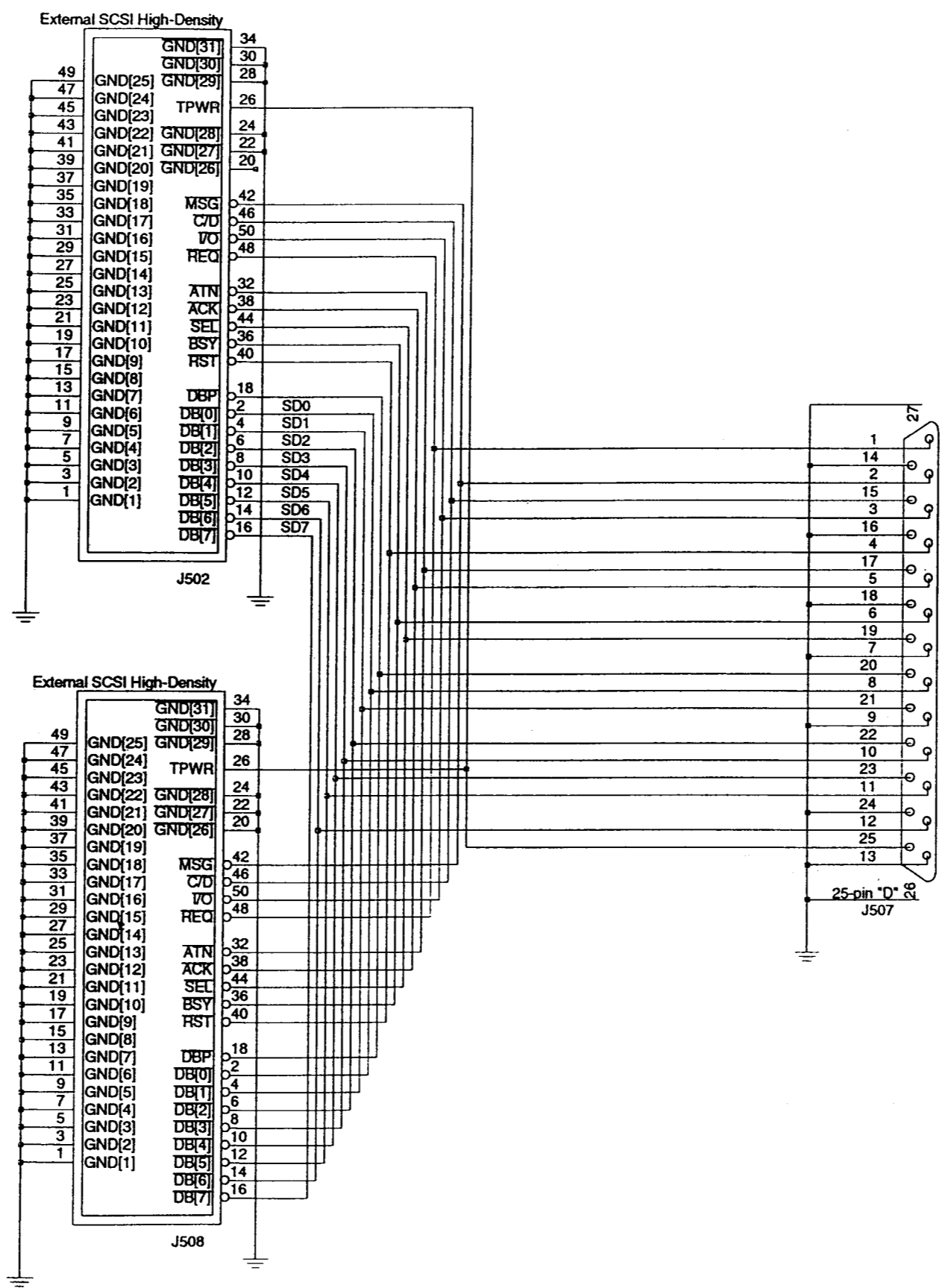
B

C

C

D

D

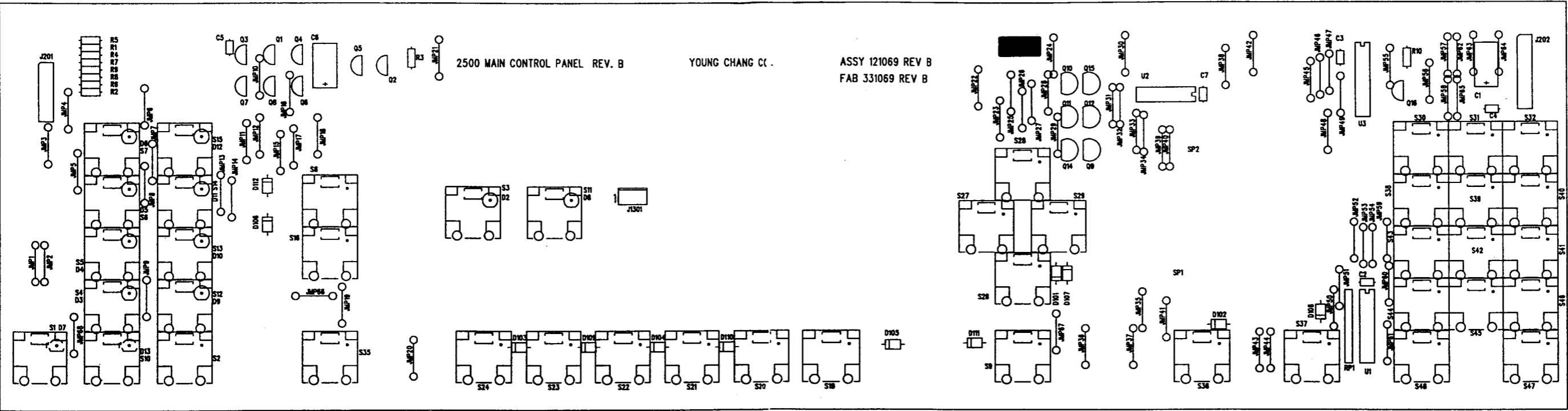


B-23

YOUNG CHANG CO., LTD.	
Reproduction without the express written consent of Young Chang Co., Ltd. is prohibited.	
K2500 Kbd Digital I/O, SCSI I/O	
Filename: 021074A2	Date: 4/26/96
Eng:	By: M. Lindi
Mfg:	Sht 02 of 02
Doc: 021074	Rev: RAV1

1 2 3 4 5 6 7 8

SILKSREEN



2500 MAIN CONTROL PANEL REV. B

YOUNG CHANG CO.

ASSY 121069 REV B
FAB 331069 REV B

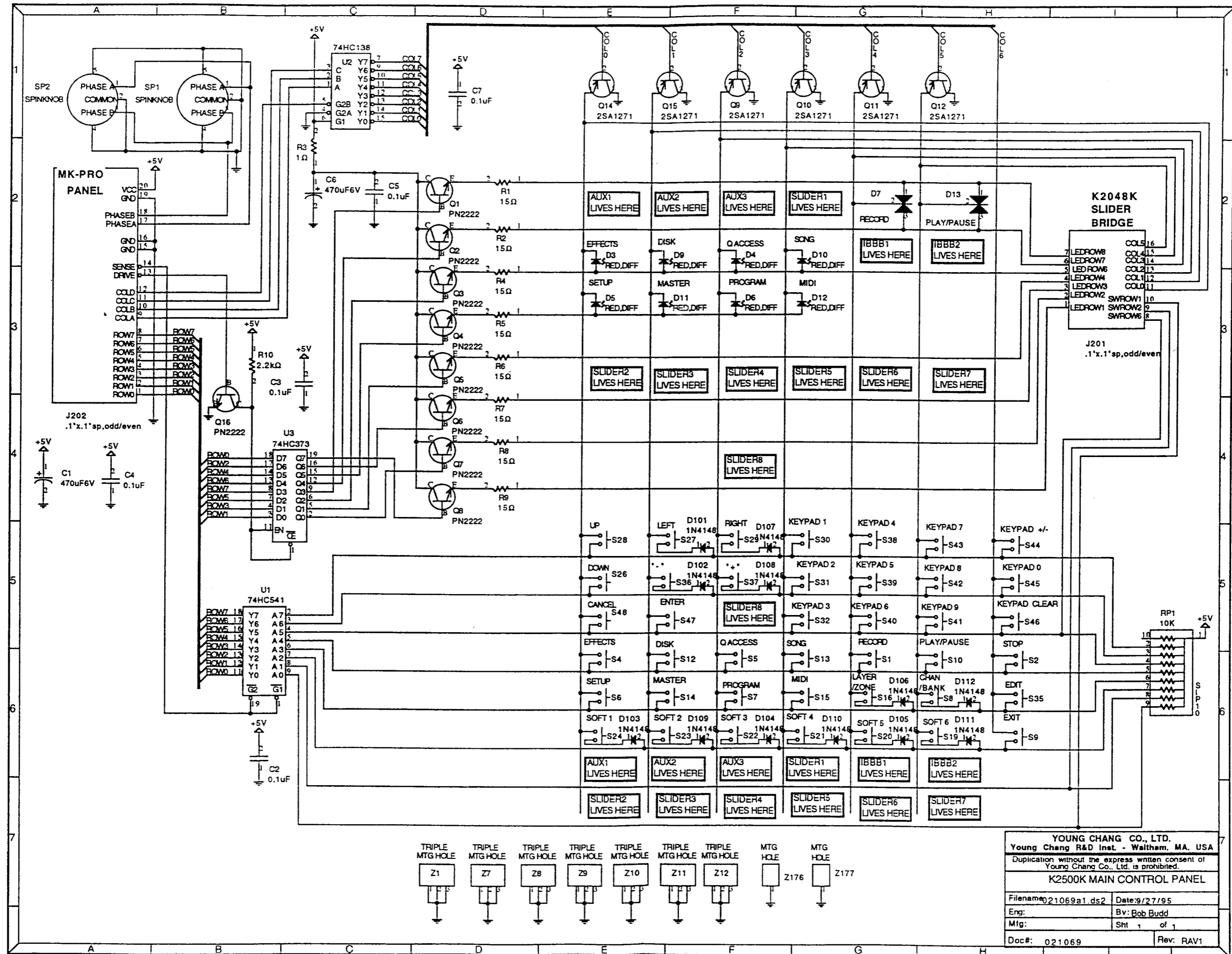
NOTE: MASK COPPER RAIL ALONG BOARD EDGE ON SOLDER SIDE OF BOARD
PRIOR TO WAVE SOLDERING.

ARTWORK 011069

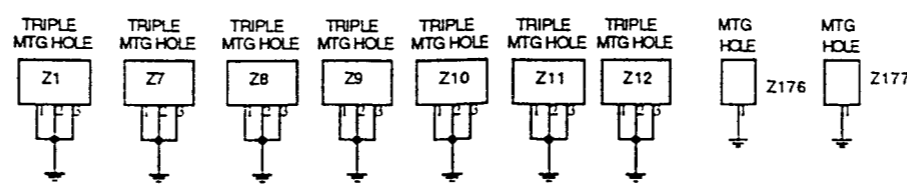
WALTHAM, MA		YOUNG CHANG R&D INSTITUTE		
DNL IN MW		FRONT PANEL PCB		
DC DESIGN		ASSY DWG		
8-10-95		SILKSREEN		
1:1		K2500	331069	REV B

B-24

B-24



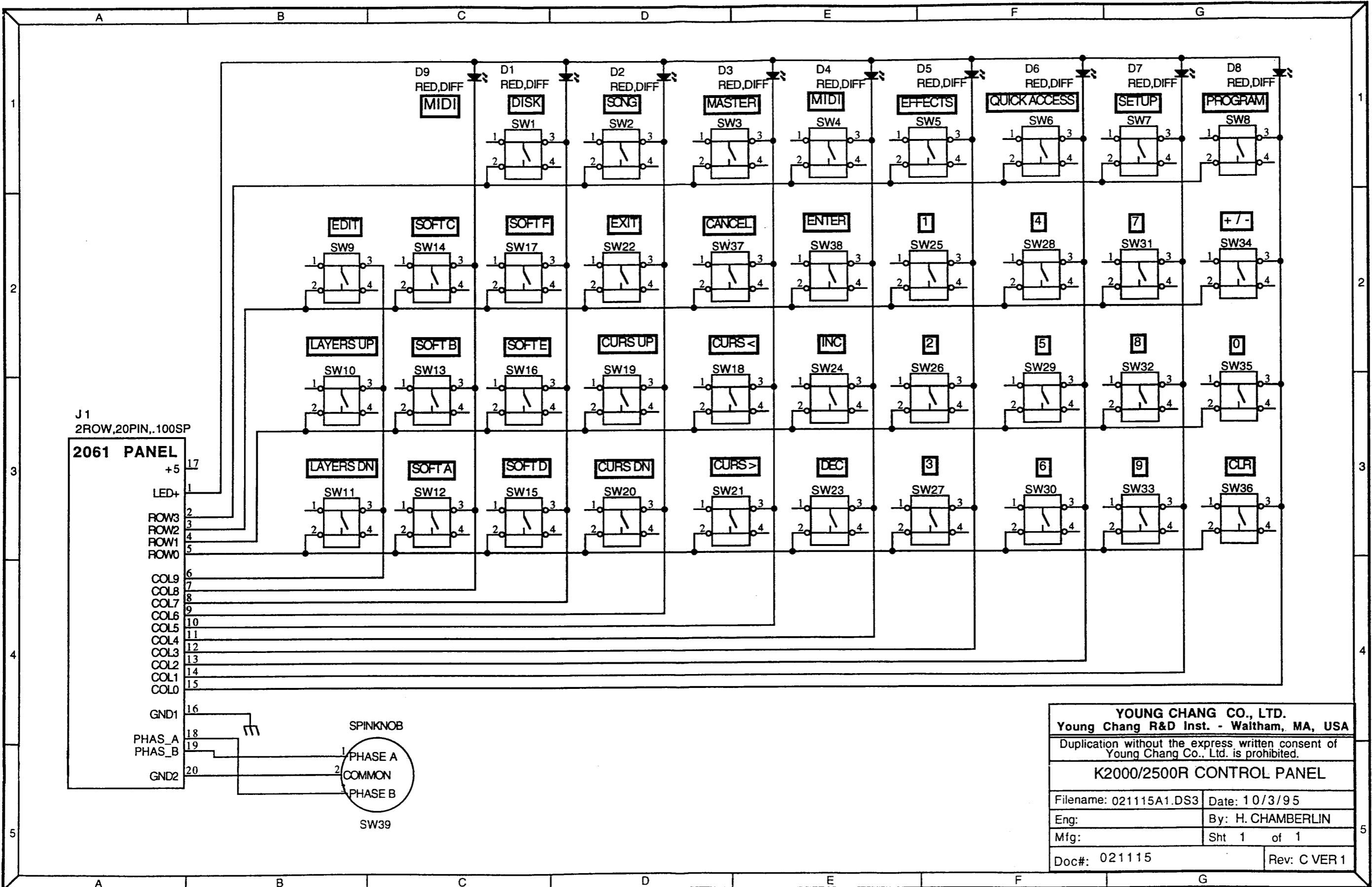
B-25



YOUNG CHANG CO., LTD.
 Young Chang R&D Inst. - Waltham, MA, USA
 Duplication without the express written consent of
 Young Chang Co., Ltd. is prohibited.

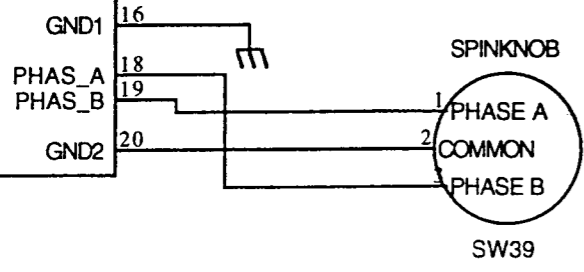
K2500K MAIN CONTROL PANEL

Filename: 021069a1.ds2	Date: 9/27/95
Eng:	Bv: Bob Budd
Mfg:	Sht 1 of 1
Doc#: 021069	Rev: RAV1

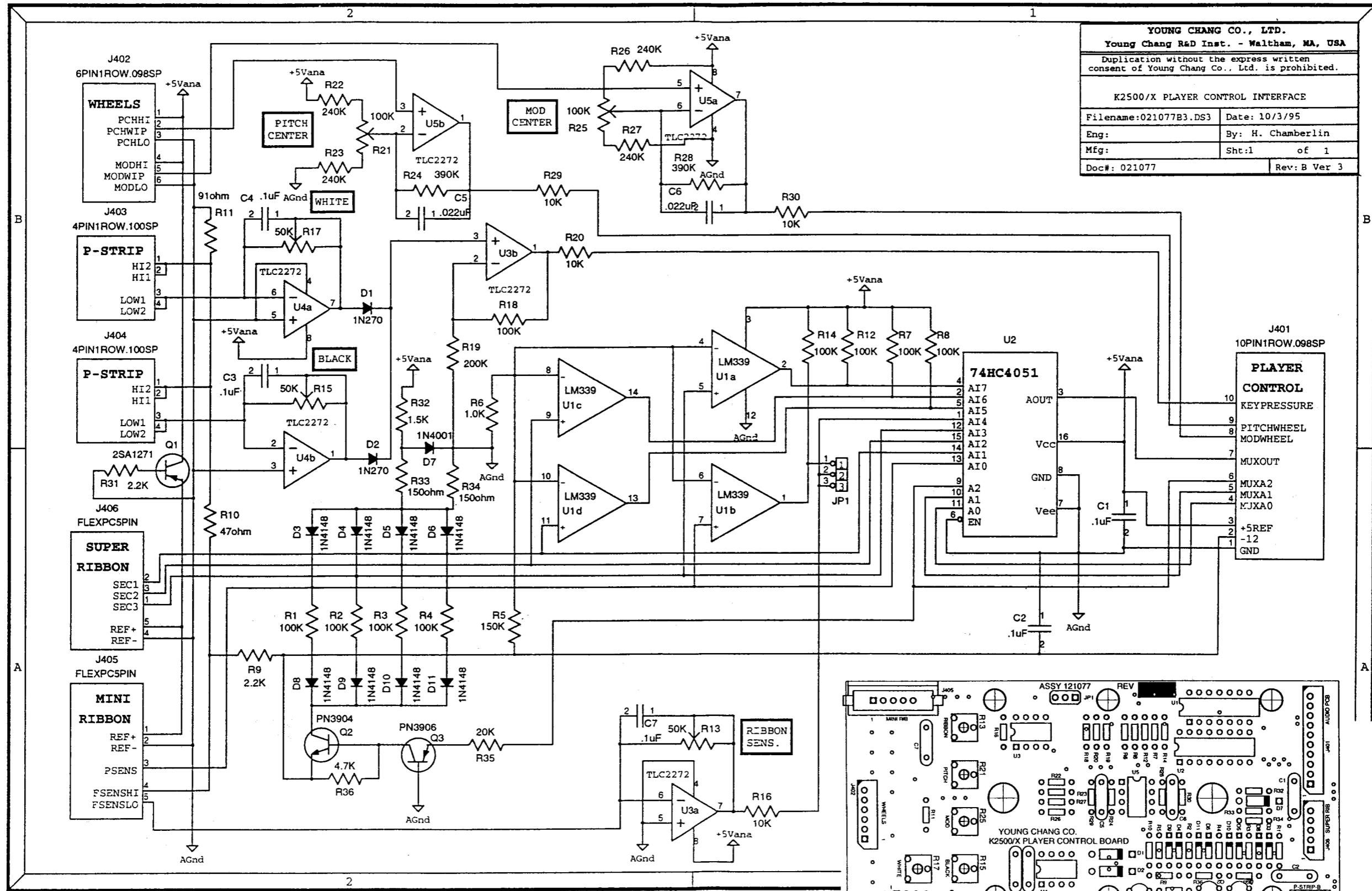


J1
2ROW,20PIN.,100SP

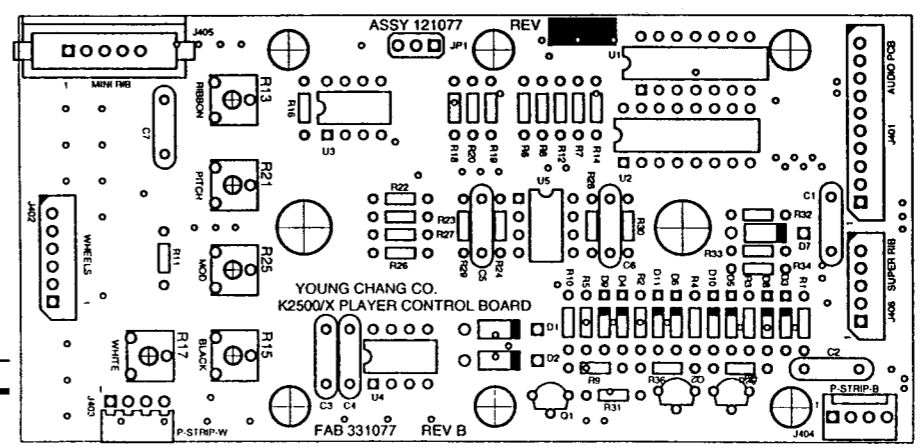
2061 PANEL
 +5 17
 LED+ 1
 ROW3 2
 ROW2 3
 ROW1 4
 ROW0 5
 COL9 6
 COL8 7
 COL7 8
 COL6 9
 COL5 10
 COL4 11
 COL3 12
 COL2 13
 COL1 14
 COL0 15



YOUNG CHANG CO., LTD. Young Chang R&D Inst. - Waltham, MA, USA	
Duplication without the express written consent of Young Chang Co., Ltd. is prohibited.	
K2000/2500R CONTROL PANEL	
Filename: 021115A1.DS3	Date: 10/3/95
Eng:	By: H. CHAMBERLIN
Mfg:	Sht 1 of 1
Doc#: 021115	Rev: C VER 1



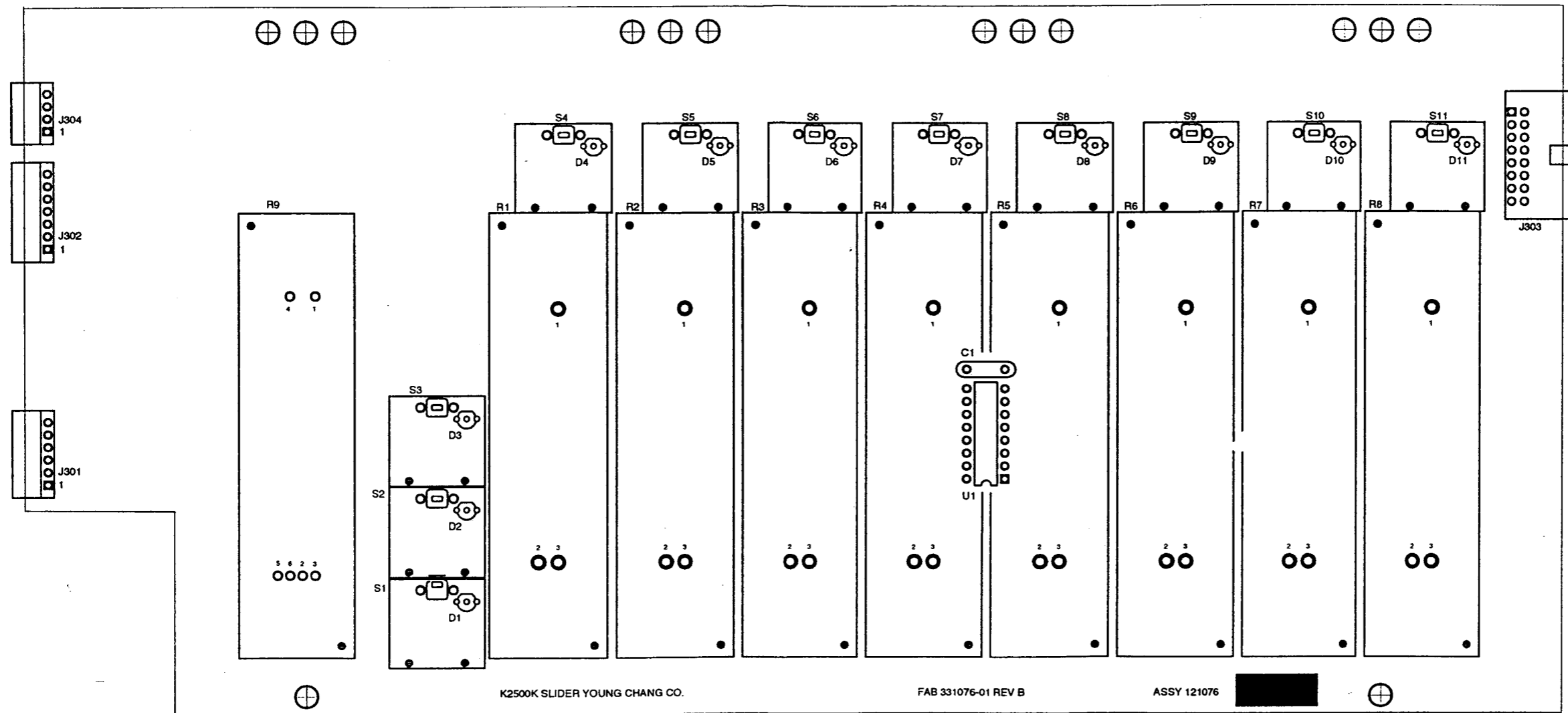
YOUNG CHANG CO., LTD.
 Young Chang R&D Inst. - Waltham, MA, USA
 Duplication without the express written consent of Young Chang Co., Ltd. is prohibited.
K2500/X PLAYER CONTROL INTERFACE
 Filename: 021077B3.DS3 Date: 10/3/95
 Eng: By: H. Chamberlin
 Mfg: Sht: 1 of 1
 Doc#: 021077 Rev: B Ver 3



K2500/X PLAYER CONTROL PCB
 ARTWORK SILK SCREEN
 Eng M. RICHMOND By
 Mfg Sht 1 of 4
 Doc # 011077 Rev B

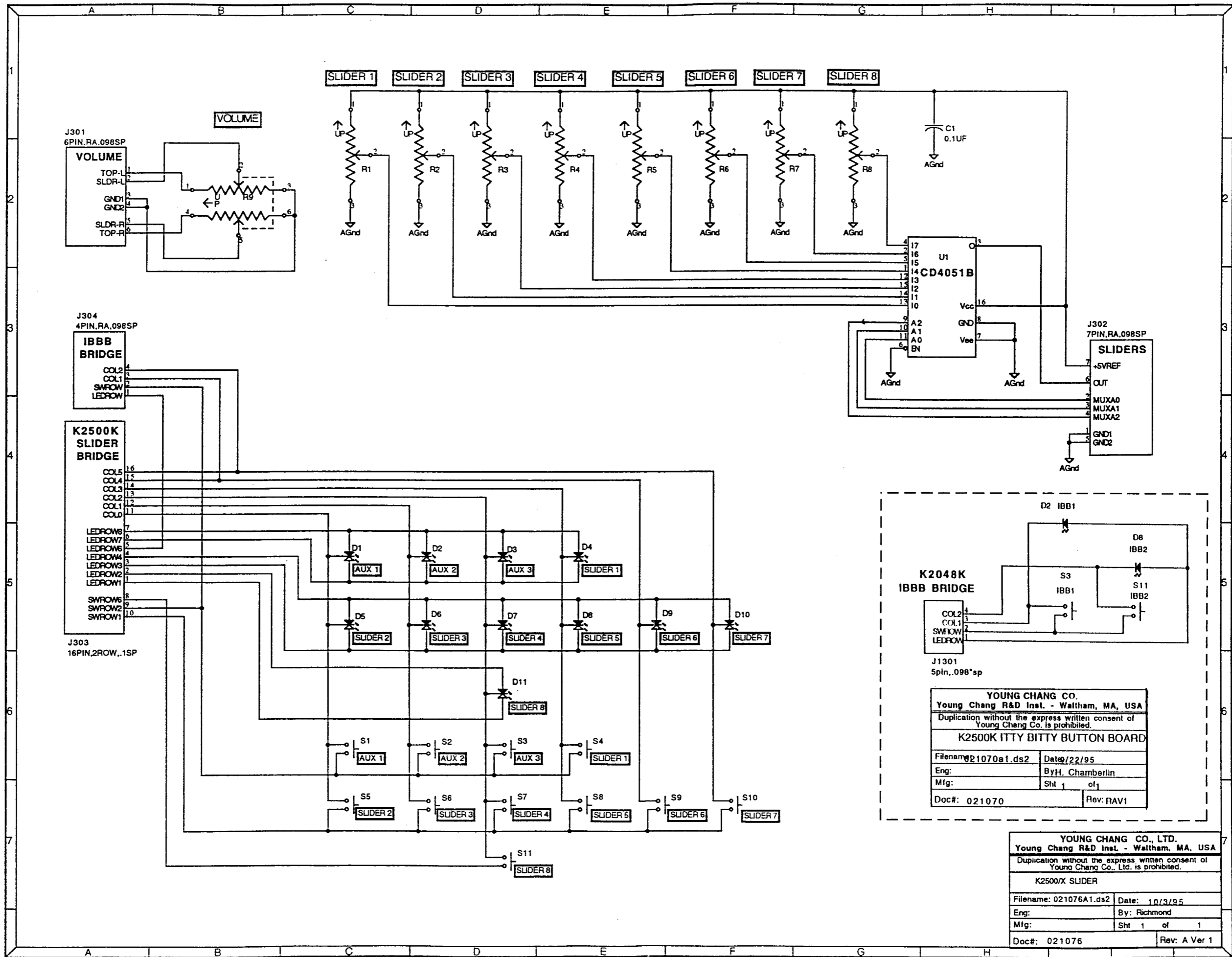
B-27

B-28

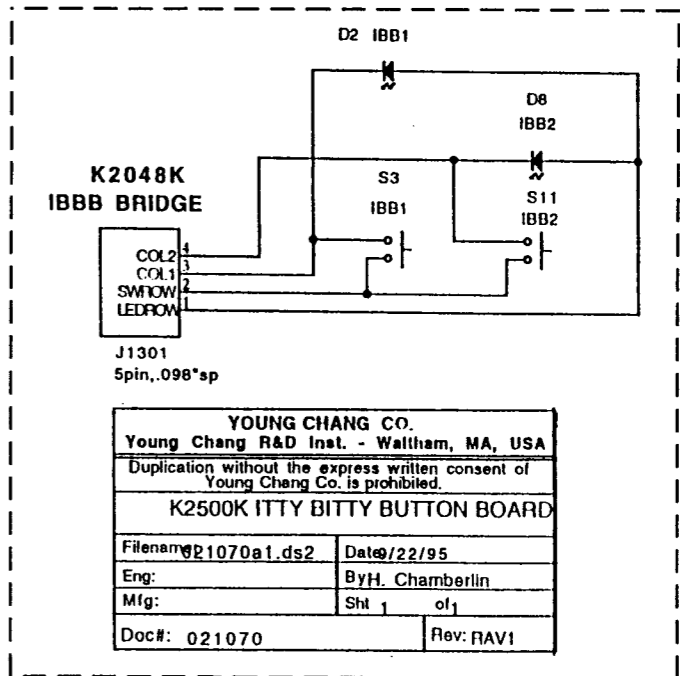


B-28

YOUNG CHANG CO. Young Chang R&D Inst. - Waltham, Ma. USA	
Duplication without the express written consent of Young Chang Co. is prohibited.	
K2500X SLIDER PCB ARTWORK SILK SCREEN	
Eng: M. RICHMOND	By:
Mfg:	Sh: 1 of 4
Doc #: 011076	Rev: B



B-29

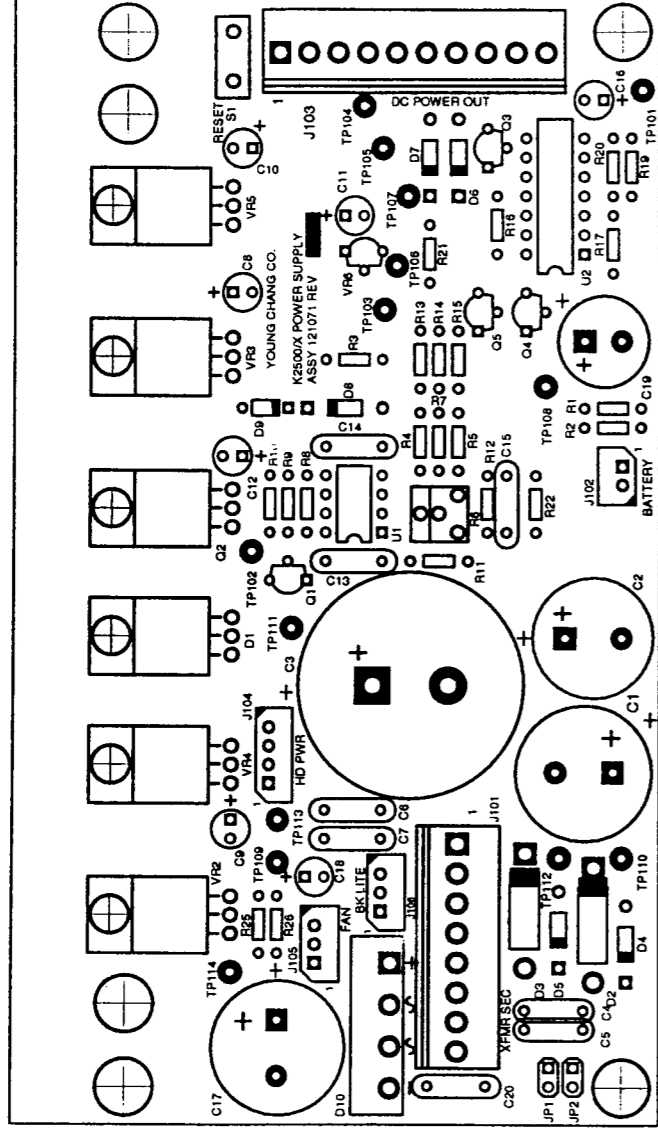


YOUNG CHANG CO.
 Young Chang R&D Inst. - Waltham, MA, USA
 Duplication without the express written consent of
 Young Chang Co. is prohibited.
K2500K ITTY BITTY BUTTON BOARD

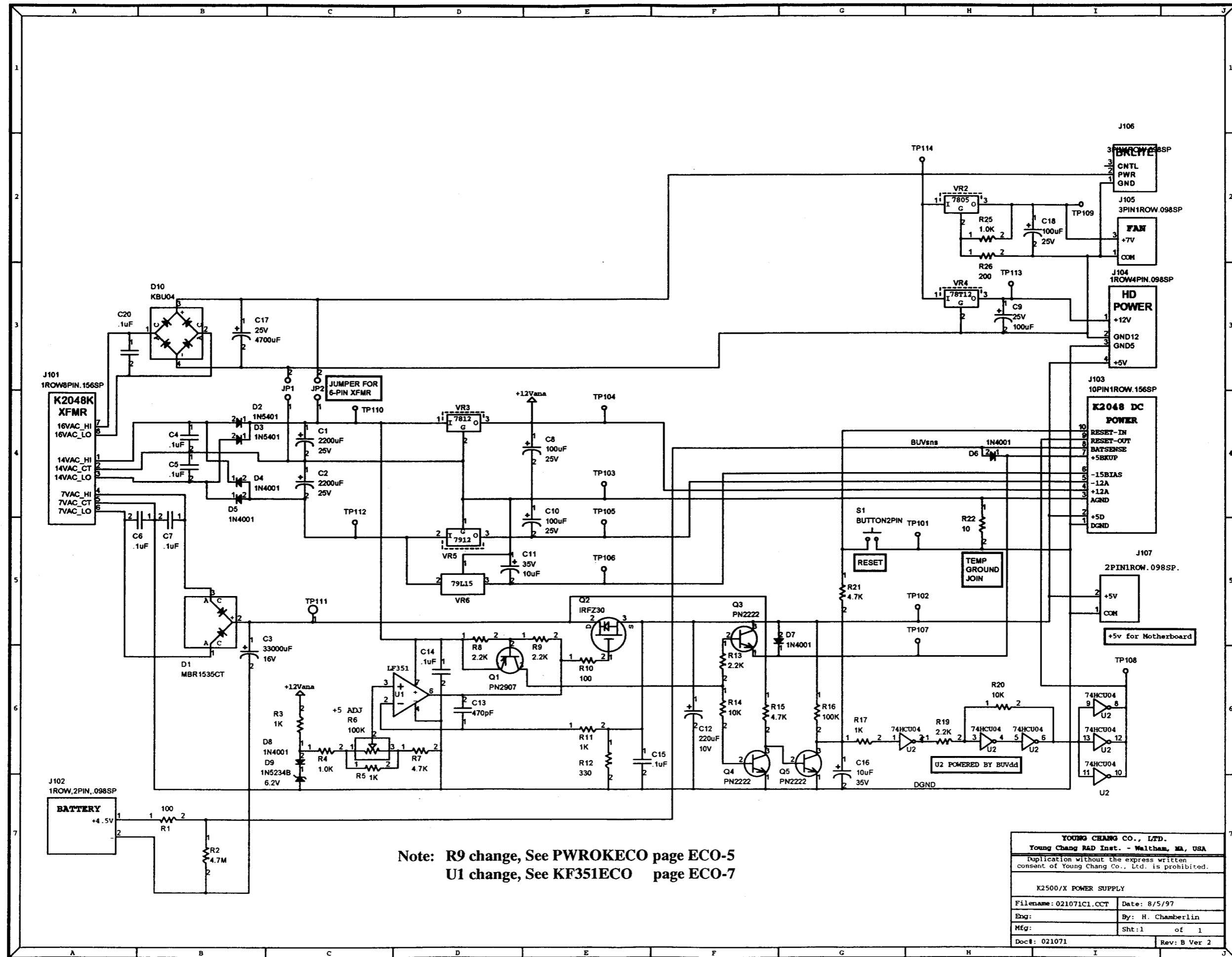
Filename: 021070a1.ds2	Date: 10/22/95
Eng: By: H. Chamberlin	
Mfg: Sht 1 of 1	
Doc#: 021070	Rev: RAV1

YOUNG CHANG CO., LTD.
 Young Chang R&D Inst. - Waltham, MA, USA
 Duplication without the express written consent of
 Young Chang Co., Ltd. is prohibited.
K2500/X SLIDER

Filename: 021076A1.ds2	Date: 10/3/95
Eng: By: Richmond	
Mfg: Sht 1 of 1	
Doc#: 021076	Rev: A Ver 1



YOUNG CHANG CO.	
Young Chang R&D Inc. - Waltham, Ma, USA	
Duplications without the express written consent of Young Chang Co. is prohibited.	
K2500X POWER SUPPLY	
ARTWORK SILK SCREEN	
Eng: M. RICHMOND	By:
Mfg:	Sh: 1 Of 4
Doc #: 011071	Rev: B

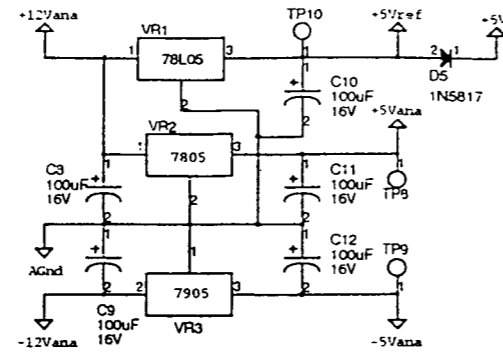
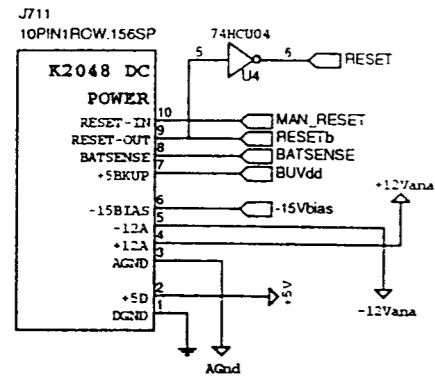


Note: R9 change, See PWROKECO page ECO-5
 U1 change, See KF351ECO page ECO-7

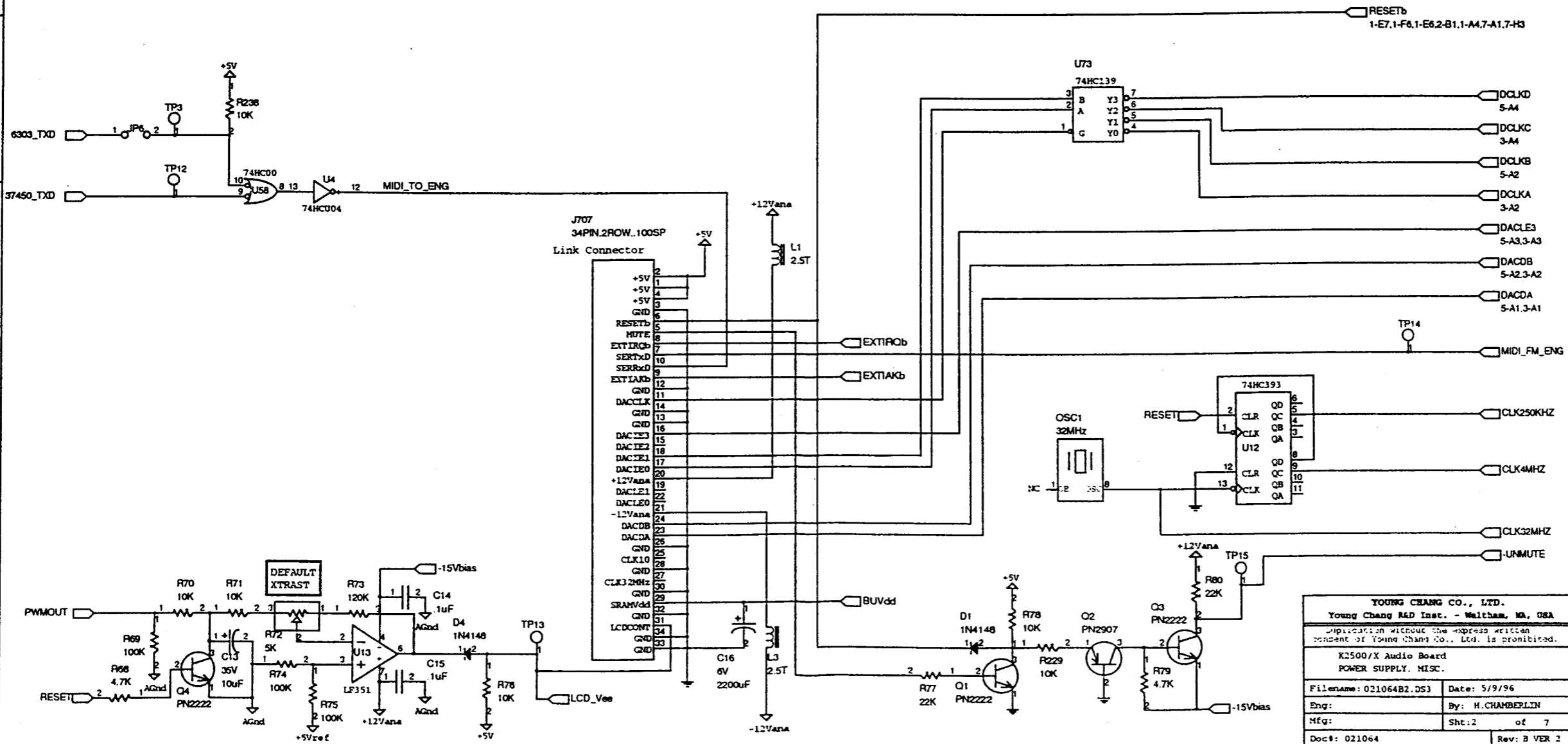
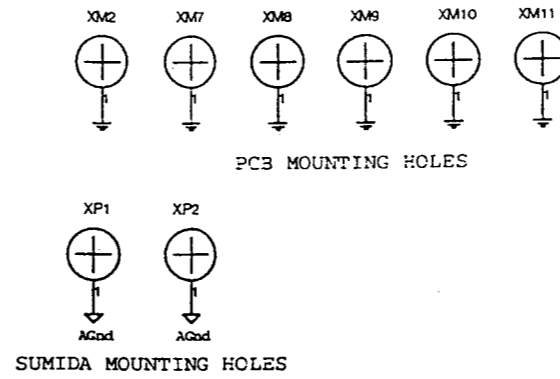
YOUNG CHANG CO., LTD. Young Chang R&D Inst. - Waltham, MA, USA	
Duplication without the express written consent of Young Chang Co., Ltd. is prohibited.	
K2500/X POWER SUPPLY	
Filename: 021071C1.CCT	Date: 8/5/97
Eng:	By: H. Chamberlin
Mfg:	Sht: 1 of 1
Doc#: 021071	Rev: B Ver 2

B-31

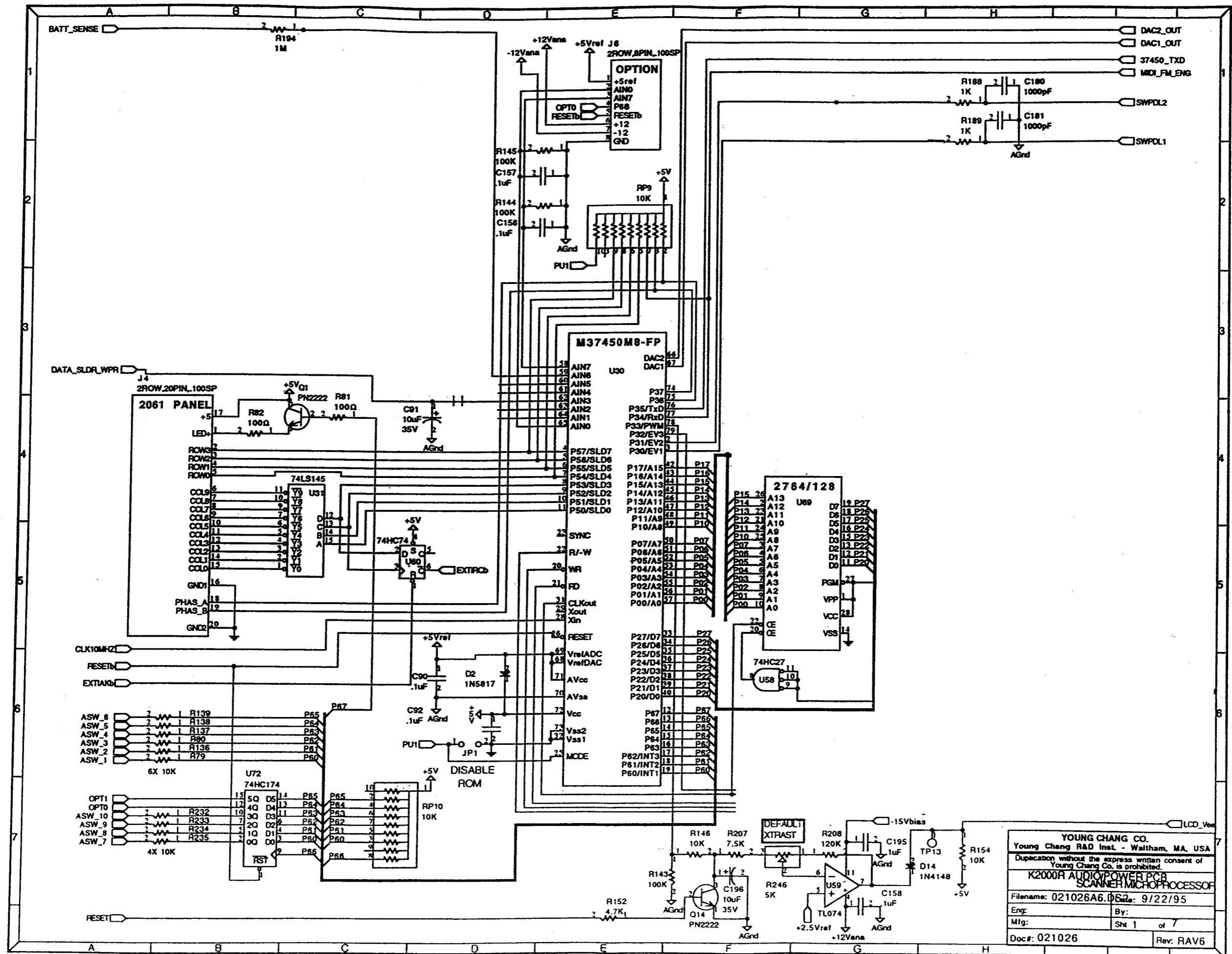
DEV1



Note: VR1 Change
See K25KECO1 page ECO-3

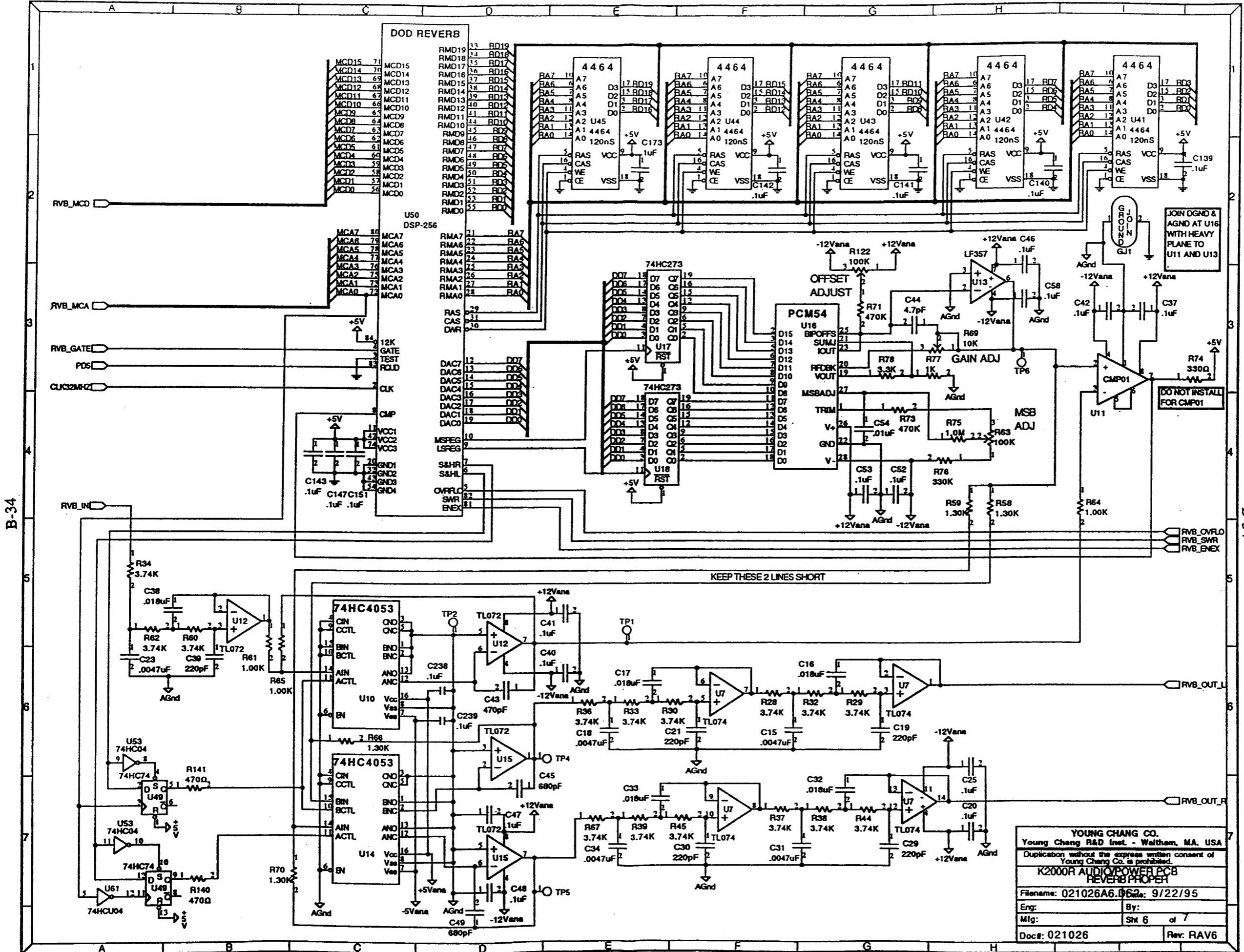


YOUNG CHANG CO., LTD. Young Chang R&D Inst. - Waltham, MA, USA	
Duplication without the express written consent of Young Chang Co., Ltd. is prohibited.	
K2500/X Audio Board POWER SUPPLY. MISC.	
Filename: 021064B2.DS3	Date: 5/9/96
Eng:	By: H.CHAMBERLIN
Mfg:	Sht: 2 of 7
Doc#: 021064	Rev: B VER 2

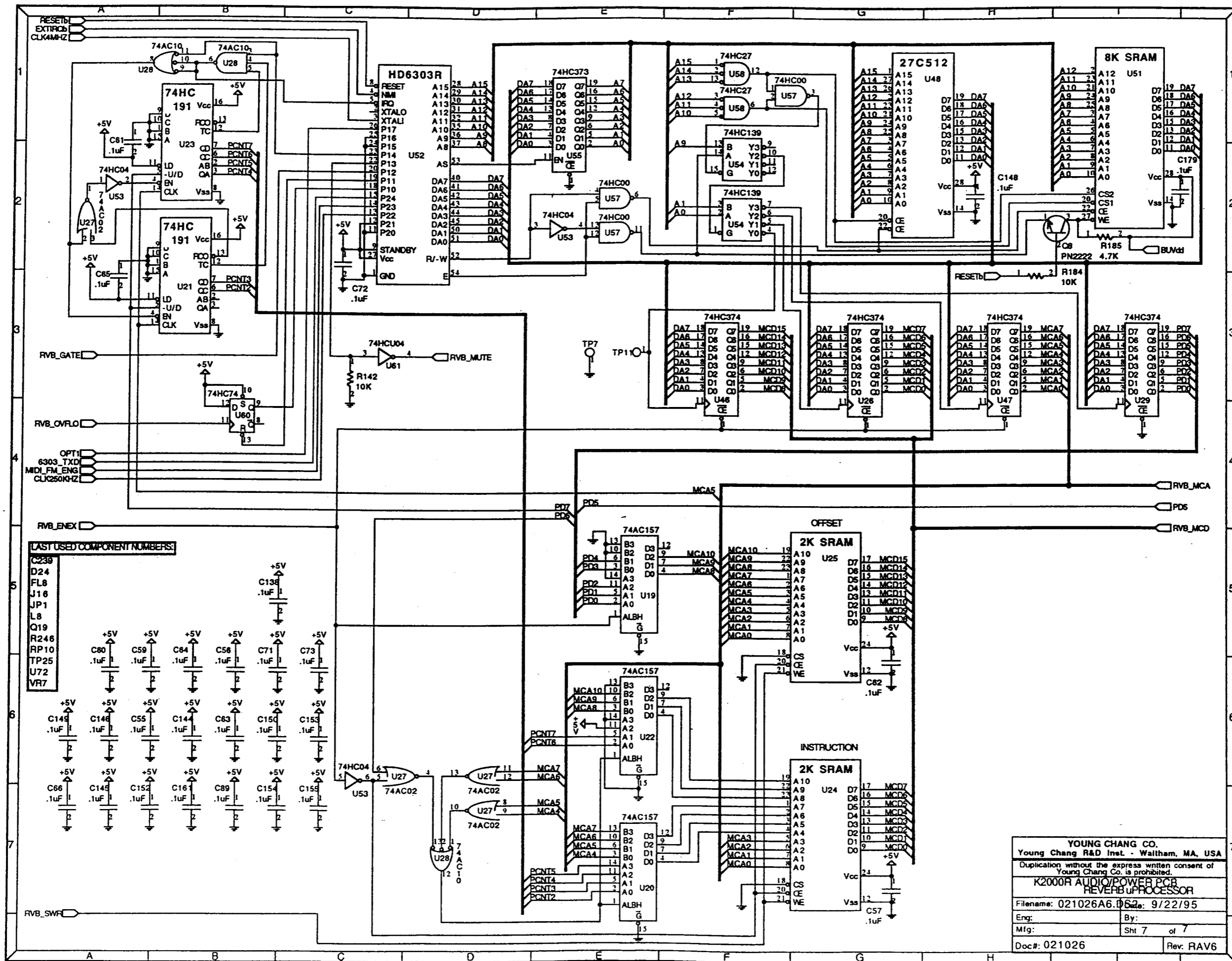


B-33

YOUNG CHANG CO.
 Young Chang R&D Inst. - Waltham, MA, USA
 Duplication without the express written consent of
 Young Chang Co. is prohibited.
K2000R AUDIO/POWER PCB
SCANNER MICROPROCESSOR
 Filename: 021026A6.D62 Date: 9/22/95
 Eng: _____ By: _____
 Mfg: _____ Sht 1 of 7
 Doc#: 021026 Rev: RAV6

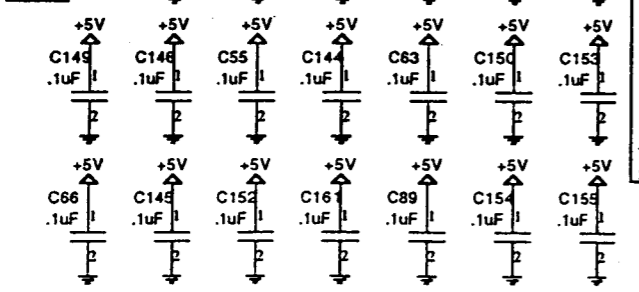


YOUNG CHANG CO.
 Young Chang R&D Inc. - Waltham, MA, USA
 Duplication without the express written consent of
 Young Chang Co. is prohibited.
**K2000R AUDIO POWER PCB
 REVERB PROPER**
 Filename: 021026A.D62: 9/22/95
 Eng: By:
 Mfg: Sht 6 of 7
 Doc#: 021026 Rev: RAV6



LAST USED COMPONENT NUMBERS:

- C239
- D24
- FL8
- J16
- JP1
- L8
- Q19
- R246
- RP10
- TP25
- U72
- VR7

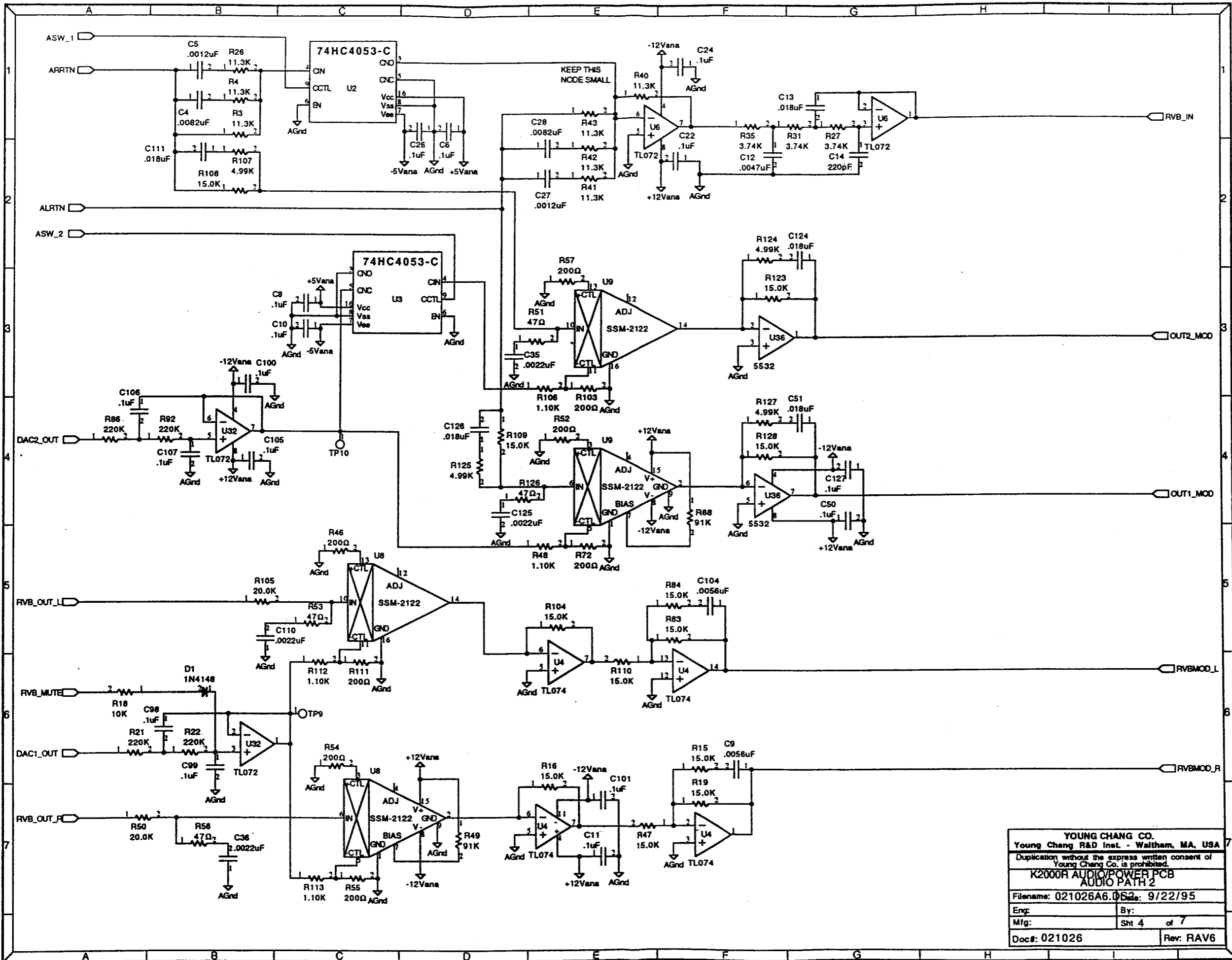


YOUNG CHANG CO.
 Young Chang R&D Inst. - Waltham, MA, USA
 Duplication without the express written consent of
 Young Chang Co. is prohibited.
**K2000R AUDIO/POWER PCB
 REVERB PROCESSOR**
 Filename: 021026A6.D63a: 9/22/95
 Eng: _____ By: _____
 Mfg: _____ Sht 7 of 7
 Doc#: 021026 Rev. RAV6

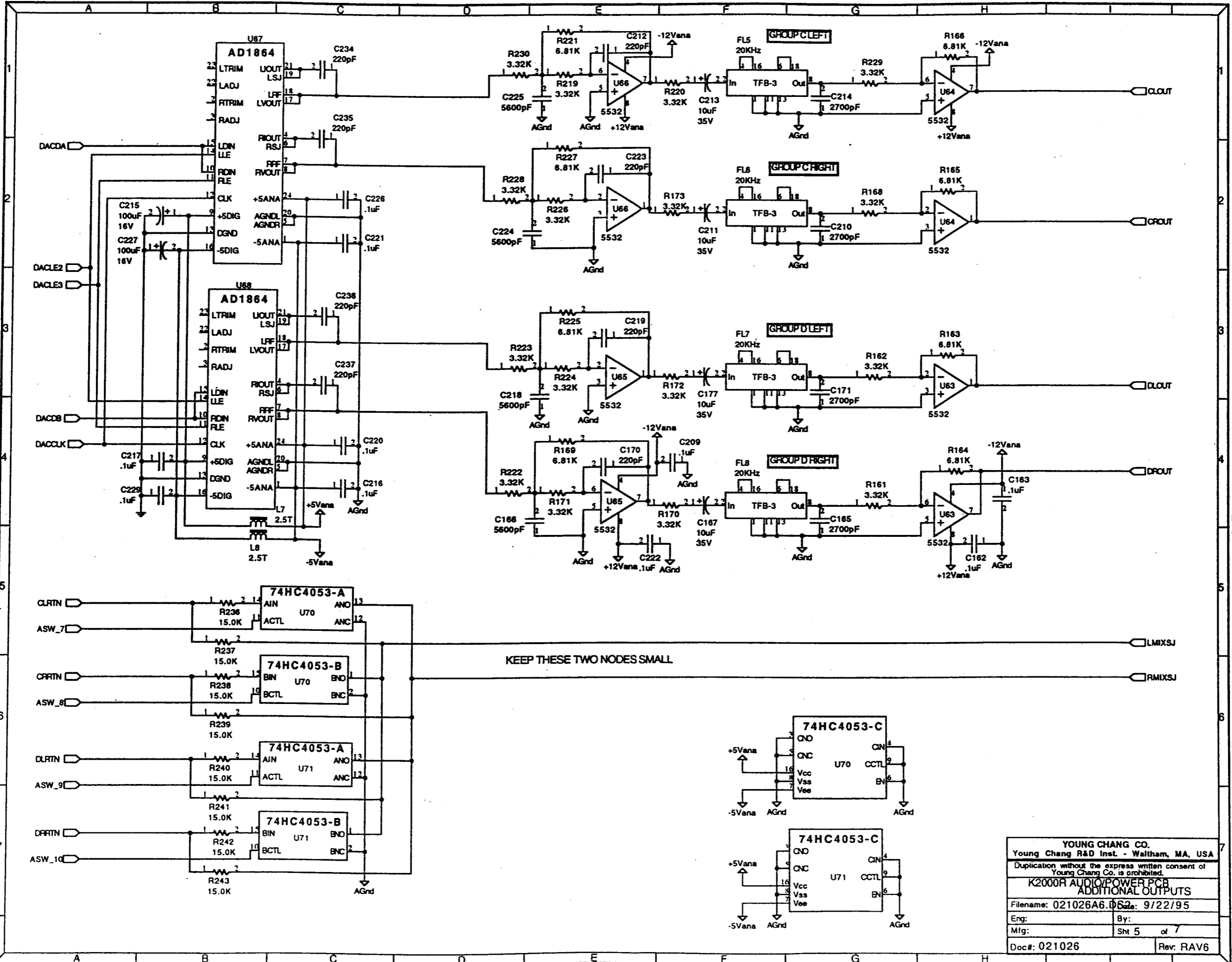
B-35

B-36

B-36



YOUNG CHANG CO. Young Chang R&D Inst. - Waltham, MA, USA	
Duplication without the express written consent of Young Chang Co. is prohibited.	
K2000R AUDIO POWER PCB AUDIO PATH 2	
Filename: 021026A6.D62 Date: 9/22/95	
Eng:	By:
Mfg:	Sht 4 of 7
Doc#: 021026	Rev: RAV6



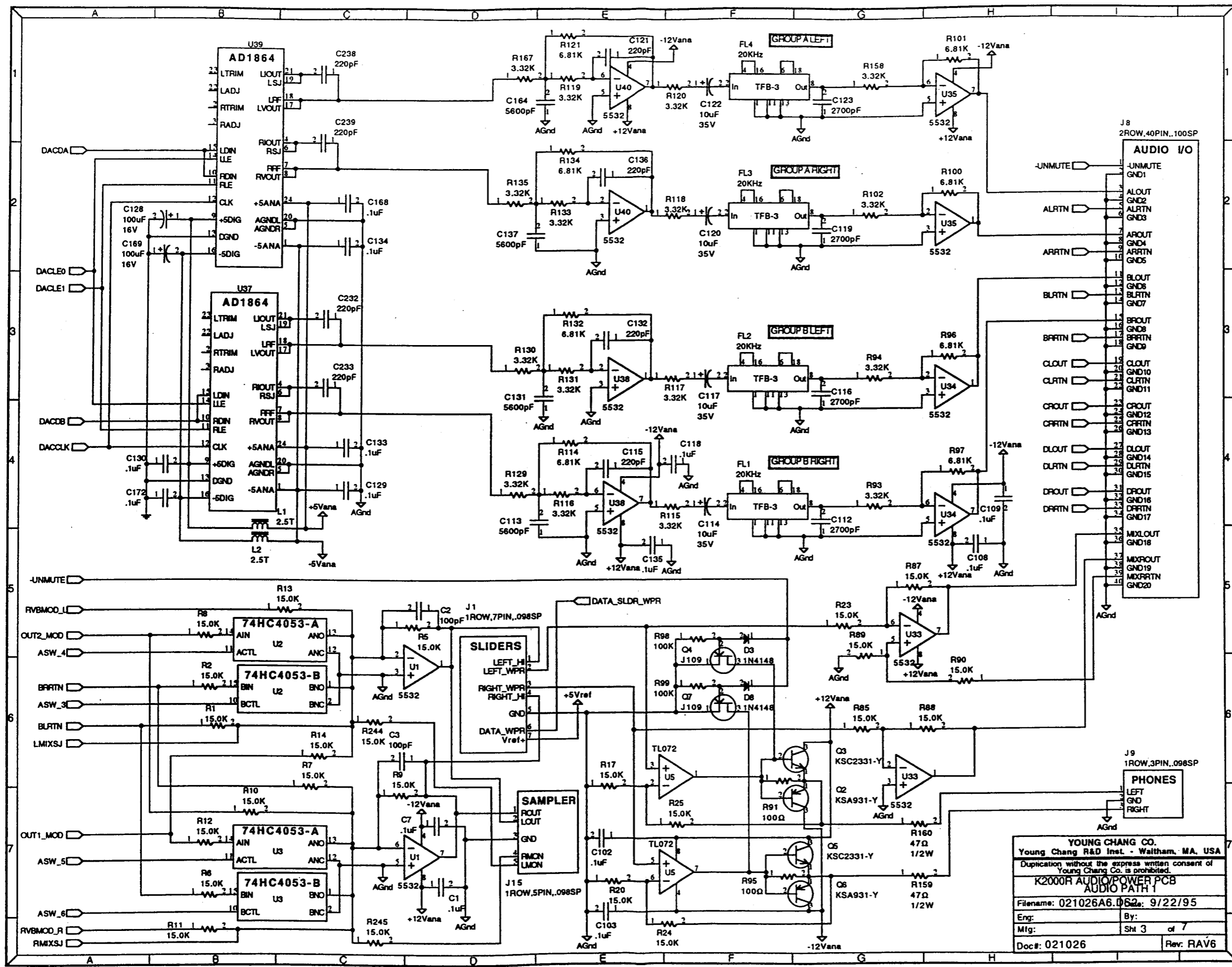
KEEP THESE TWO NODES SMALL

YOUNG CHANG CO.	
Young Chang R&D Inst. - Waltham, MA, USA	
Duplication without the express written consent of Young Chang Co. is prohibited.	
K2000R AUDIO POWER PCB	
ADDITIONAL OUTPUTS	
Filename: 021026A6.D62	Date: 9/22/95
Eng:	By:
Mfg:	Sht 5 of 7
Doc#: 021026	Rev: RAV6

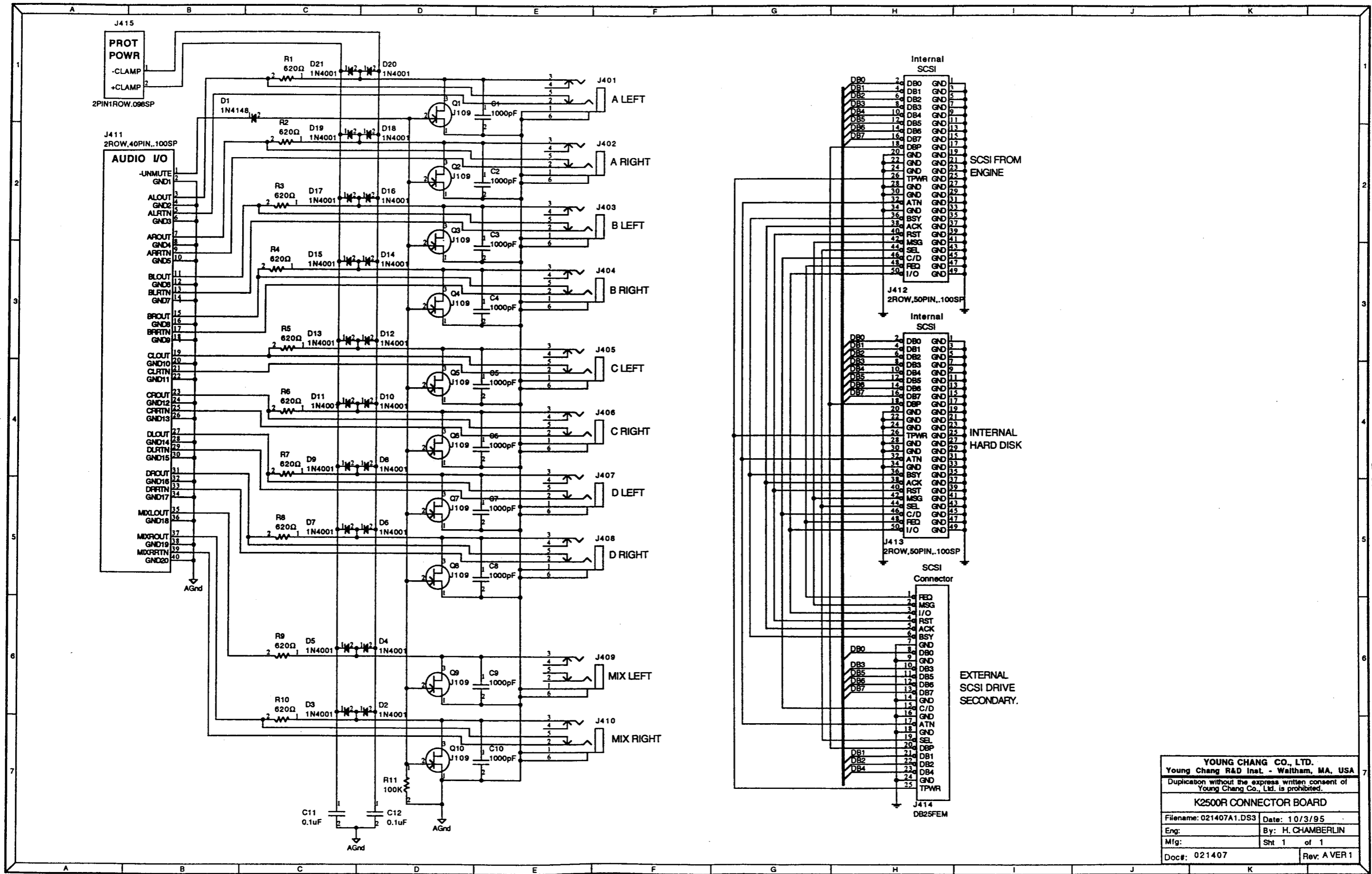
B-37

B-38

B-38

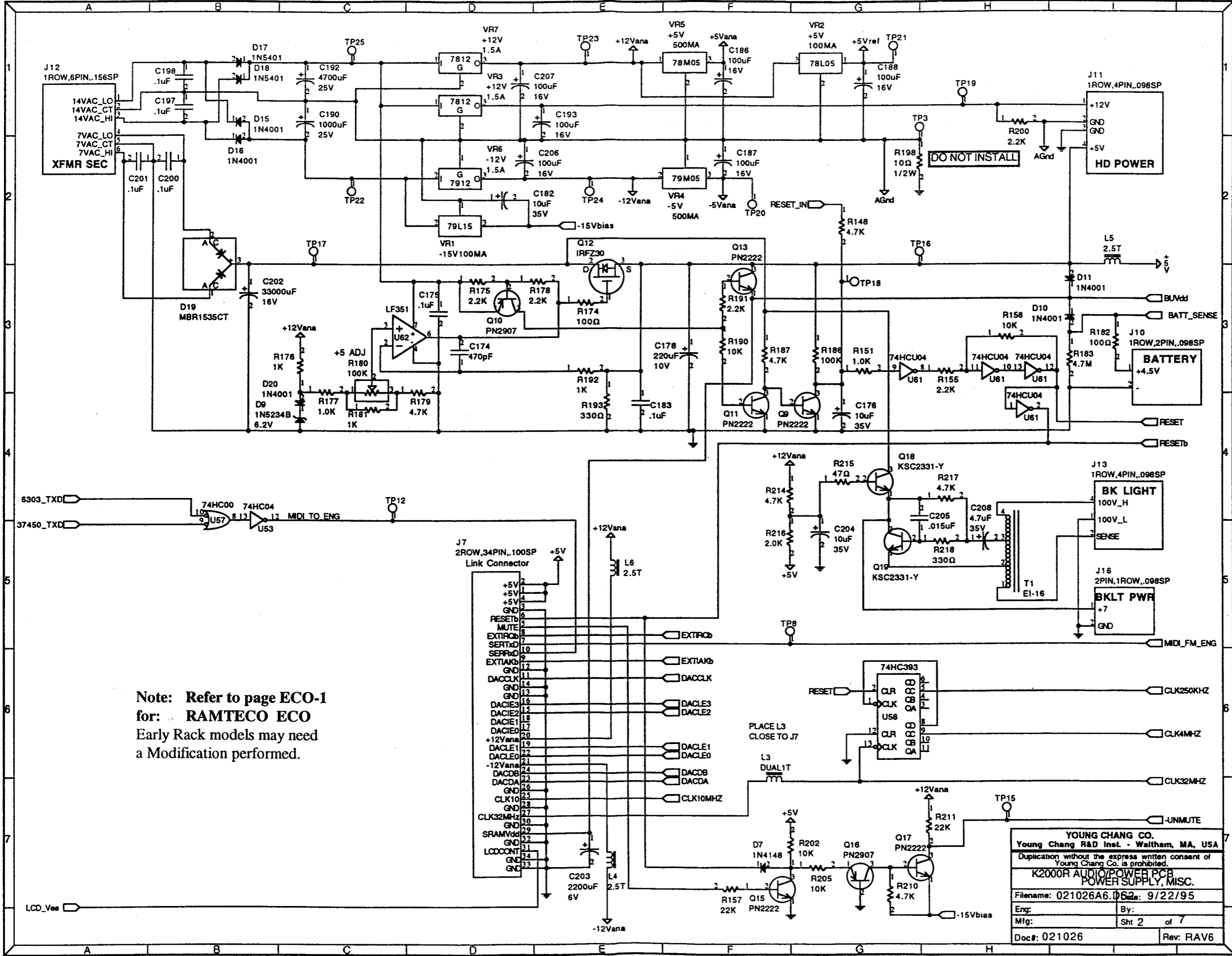


YOUNG CHANG CO.
 Young Chang R&D Inst. - Waltham, MA, USA
 Duplication without the express written consent of
 Young Chang Co. is prohibited.
K2000R AUDIO/POWER PCB
AUDIO PATH 1
 Filename: 021026A6.D62; 9/22/95
 Eng: _____ By: _____
 Mfg: _____ Sht 3 of 7
 Doc#: 021026 Rev: RAV6



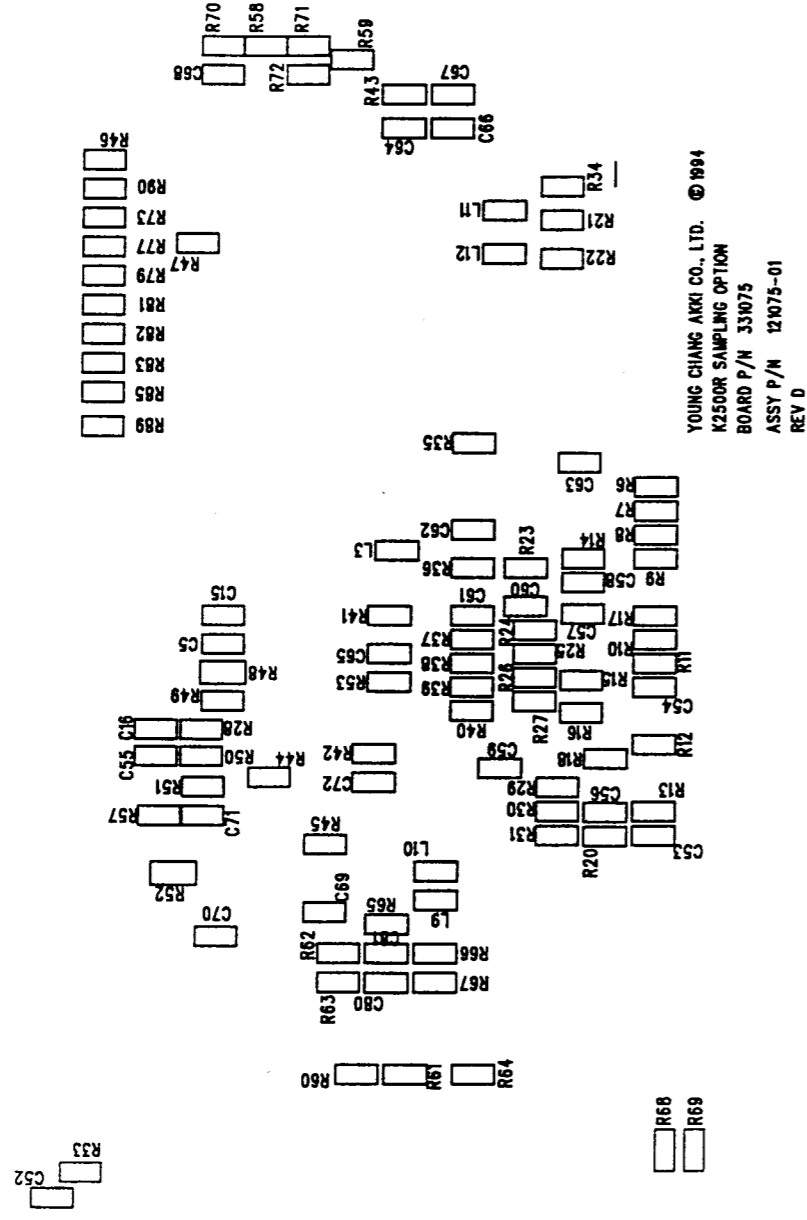
B-39

YOUNG CHANG CO., LTD.	
Young Chang R&D Inst. - Waltham, MA, USA	
Duplication without the express written consent of Young Chang Co., Ltd. is prohibited.	
K2500R CONNECTOR BOARD	
Filename: 021407A1.DS3	Date: 10/3/95
Eng:	By: H. CHAMBERLIN
Mfg:	Sht 1 of 1
Doc#: 021407	Rev: A VER 1

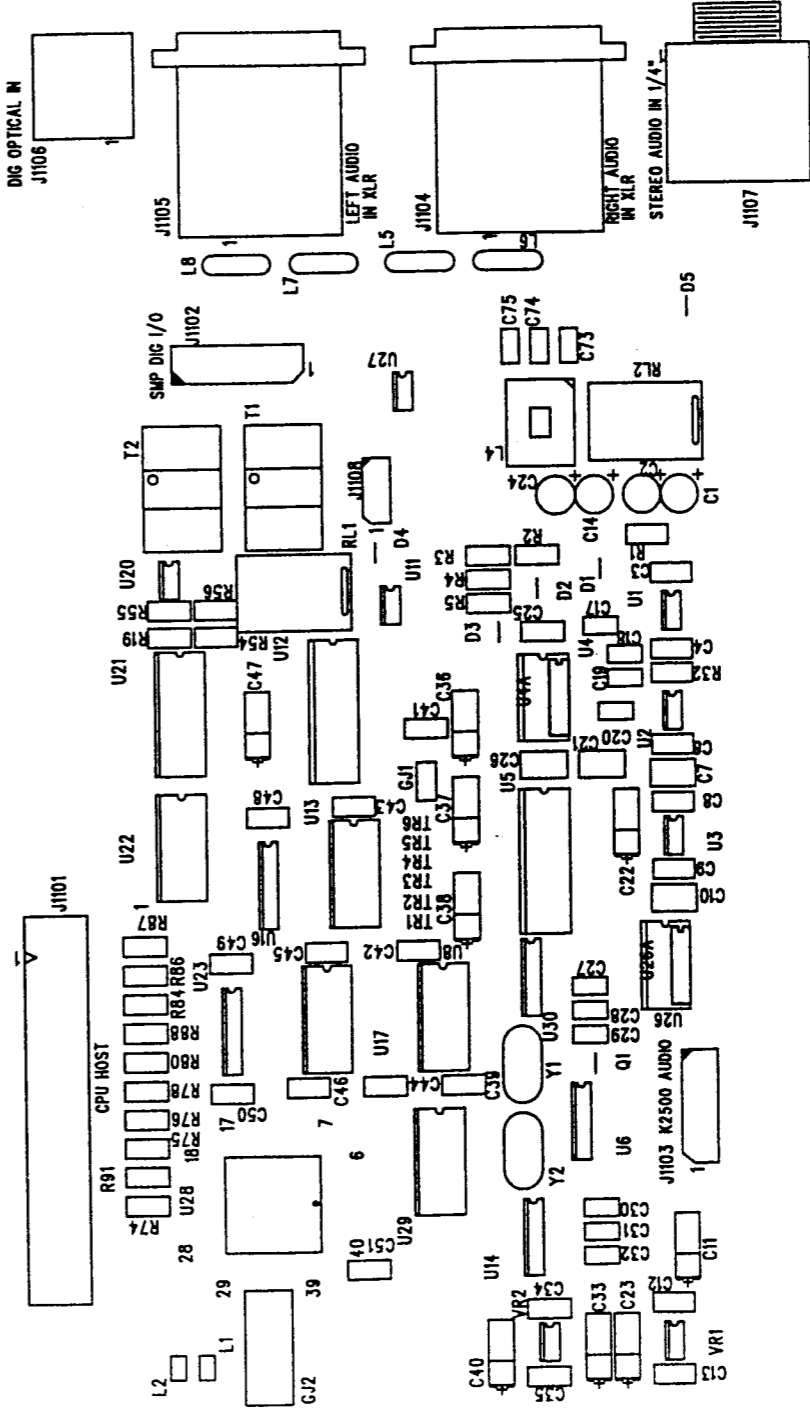


Note: Refer to page ECO-1 for: **RAMTECO ECO** Early Rack models may need a Modification performed.

YOUNG CHANG CO. Young Chang R&D Inst. - Waltham, MA, USA	
Duplication without the express written consent of Young Chang Co. is prohibited.	
K2000R AUDIO/POWER PCB POWER SUPPLY, MISC.	
Filename: 021026A6.D62	By: 9/22/95
Eng:	Sht 2 of 7
Mfg:	
Doc#: 021026	Rev: RAV6

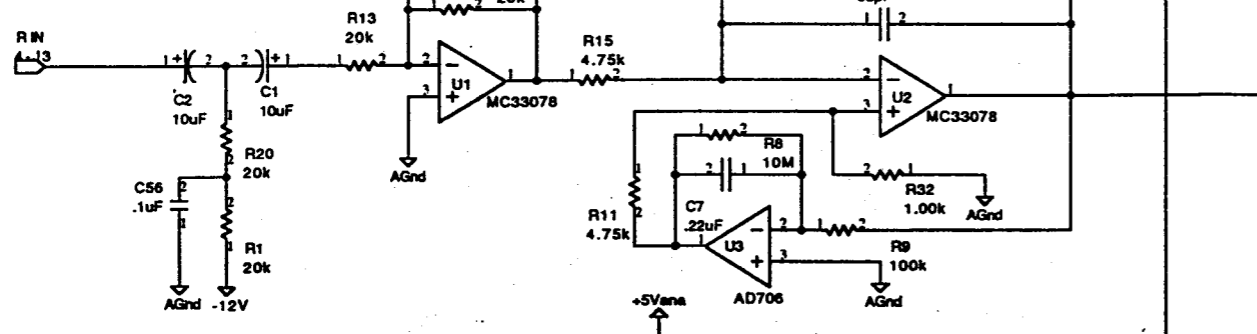


SILKSCREEN COMPONENT SIDE

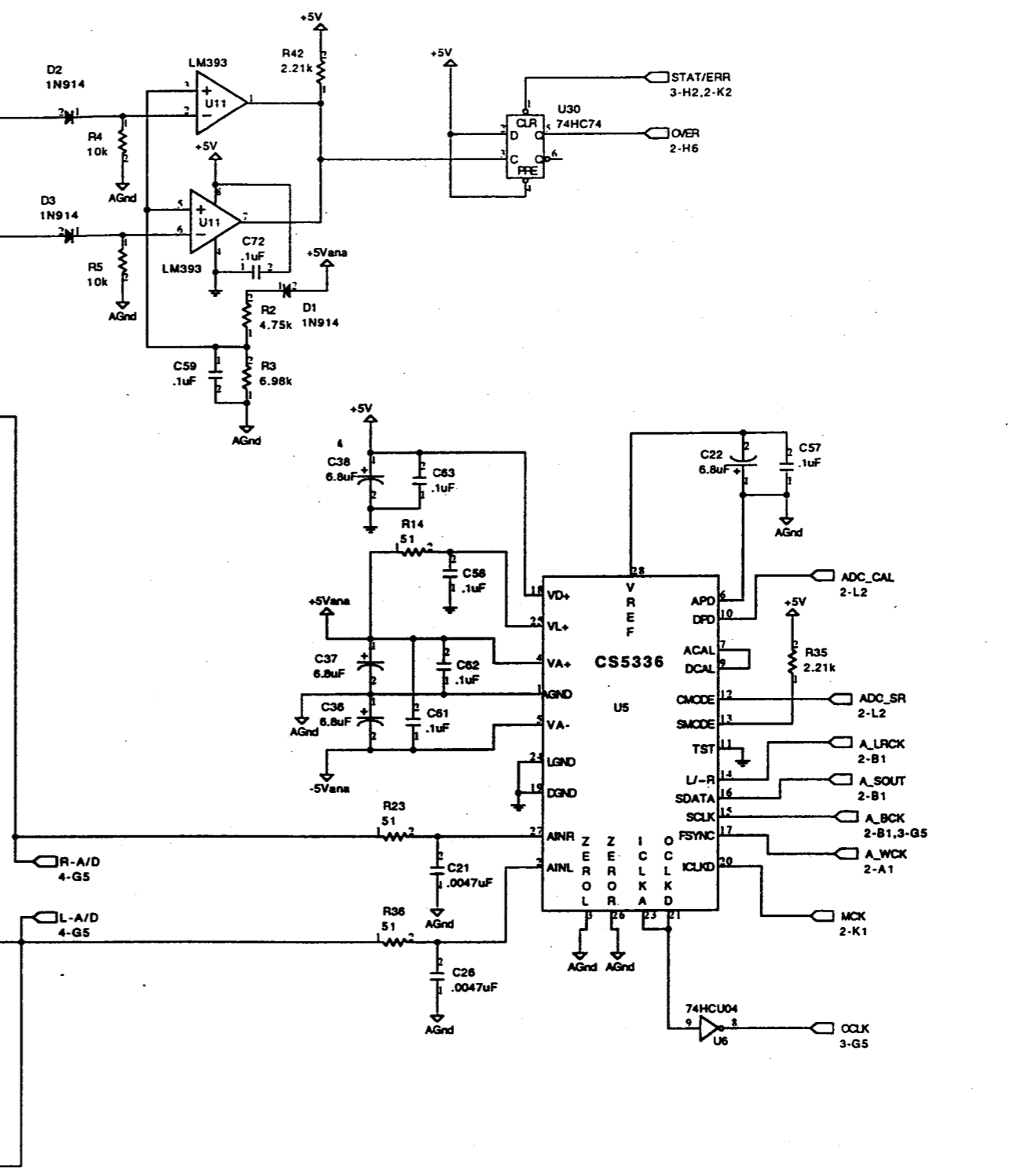
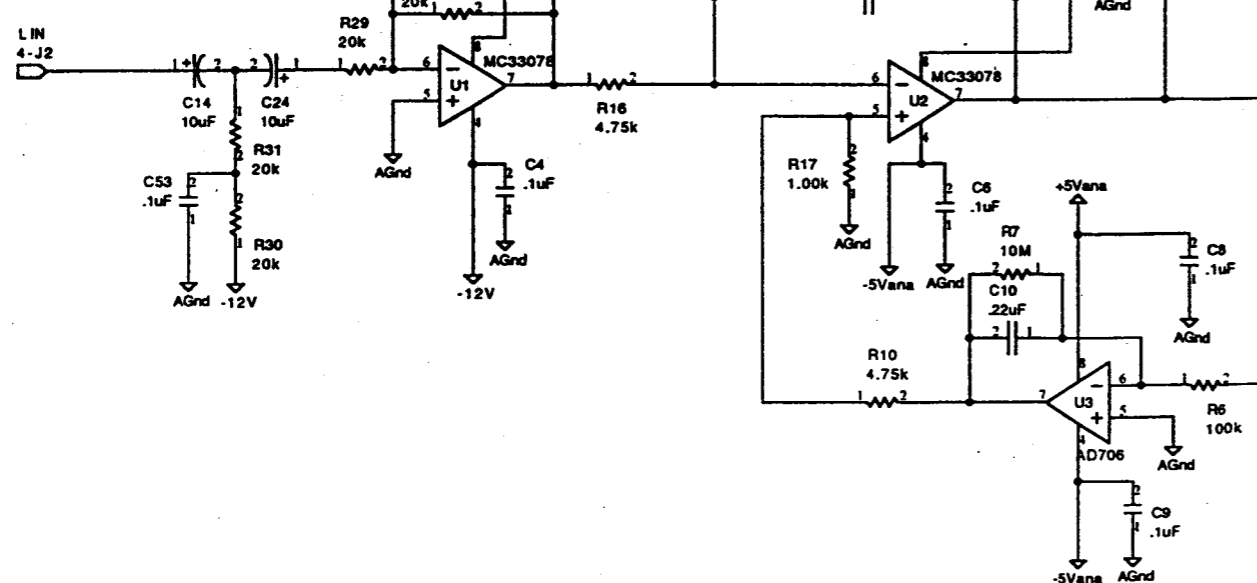


SILKSCREEN COMPONENT SIDE

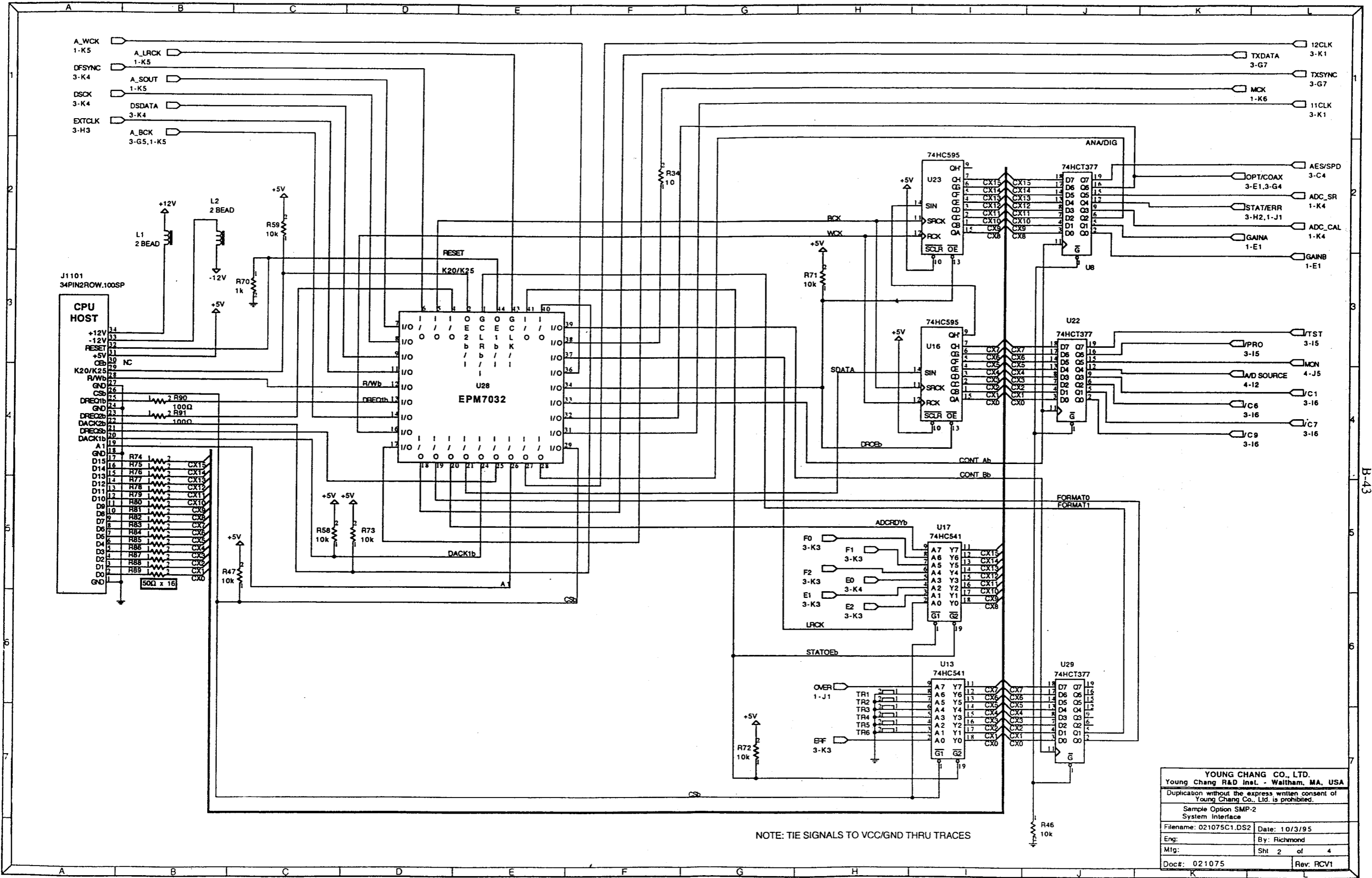
Right Channel



Left Channel

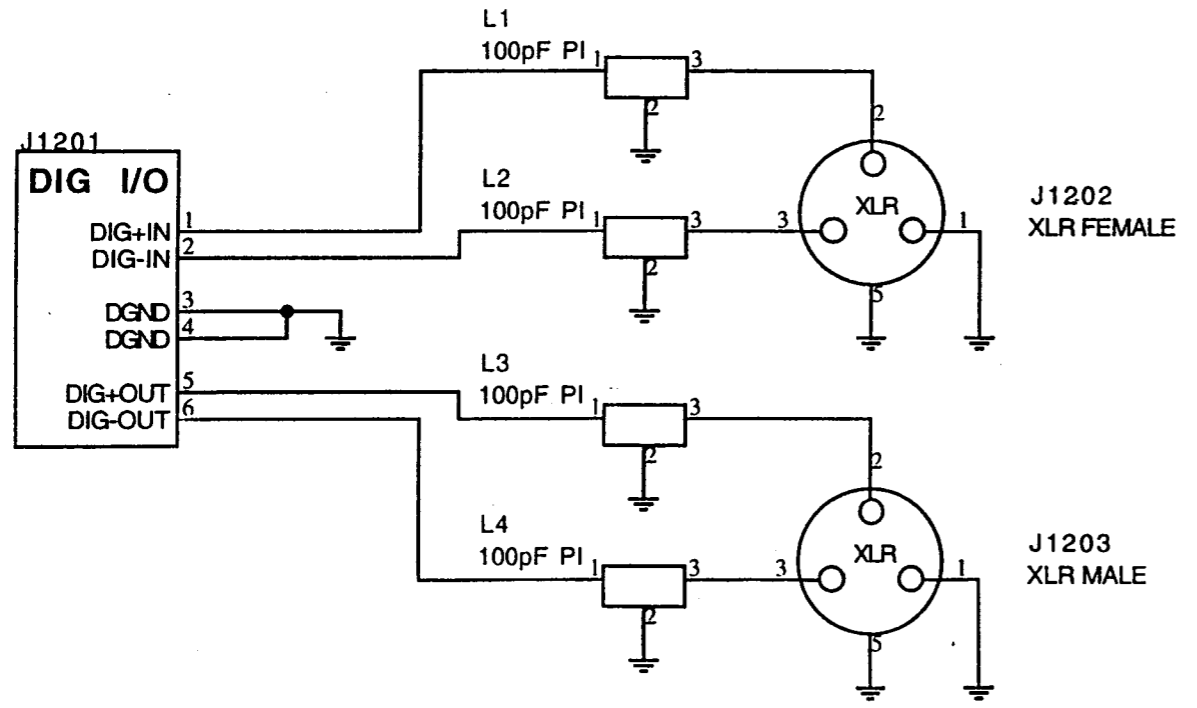
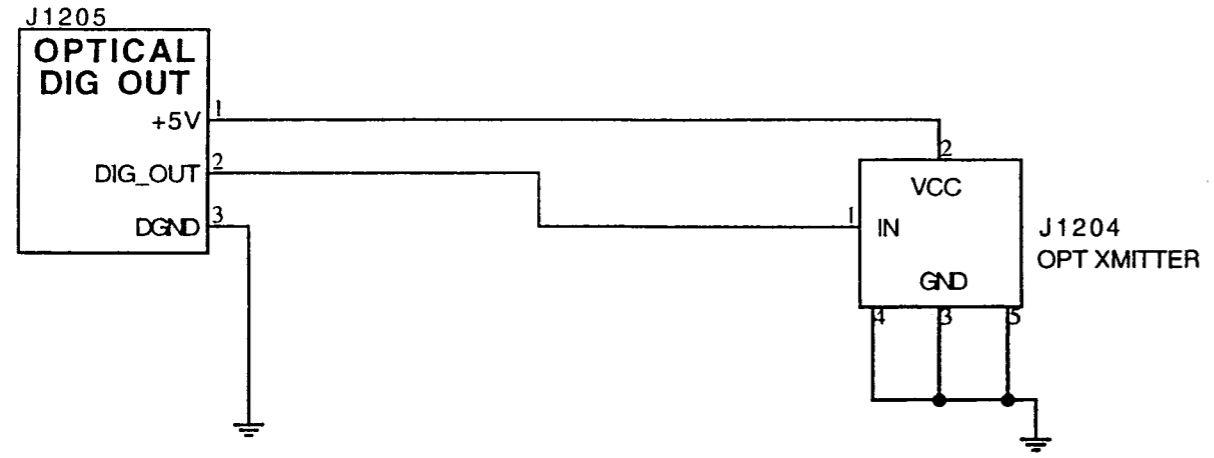


YOUNG CHANG CO., LTD.	
Young Chang R&D Inst. - Waltham, MA, USA	
Duplication without the express written consent of Young Chang Co., Ltd. is prohibited.	
Sample Option SMP-2	
ANALOG A/D	
Filename: 021075C1.DS2	Date: 10/3/95
Eng:	By: Richmond
Mfg:	Sht 1 of 4
Doc#: 021075	Rev: RCV1

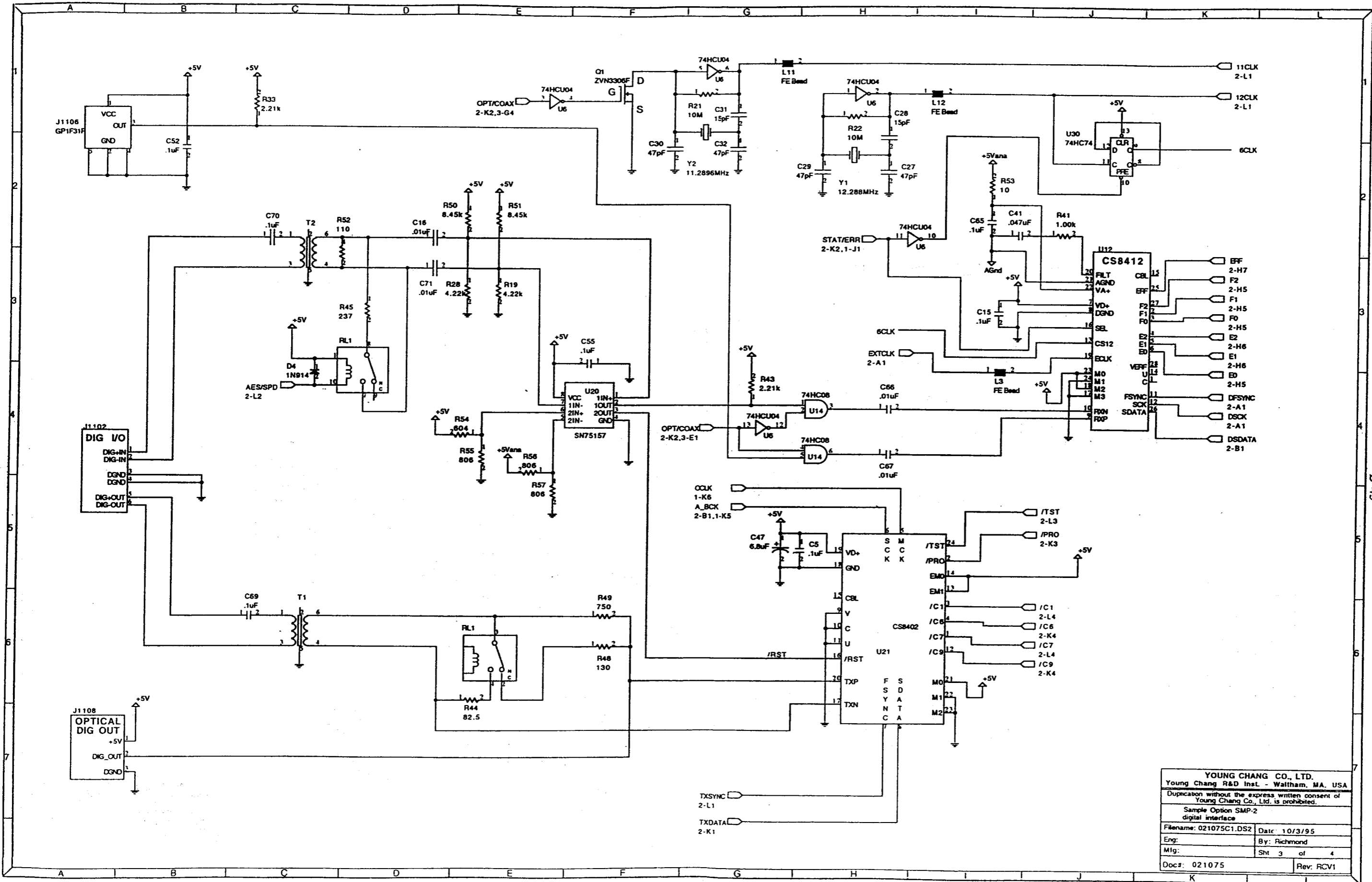


NOTE: TIE SIGNALS TO VCC/GND THRU TRACES

YOUNG CHANG CO., LTD. Young Chang R&D Inc. - Waltham, MA, USA Duplication without the express written consent of Young Chang Co., Ltd. is prohibited.	
Sample Option SMP-2 System Interface	
Filename: 021075C1.DS2	Date: 10/3/95
Eng: Richmond	
Mfg:	Sht 2 of 4
Doc#: 021075	Rev: RCV1



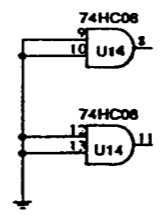
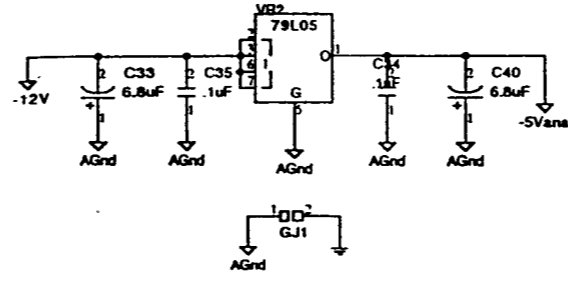
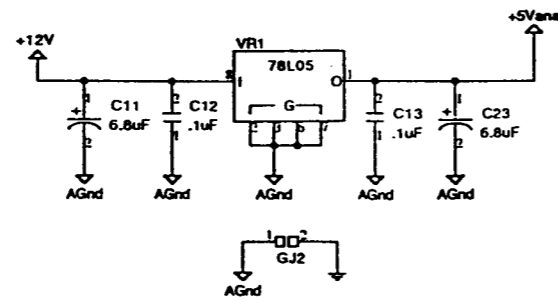
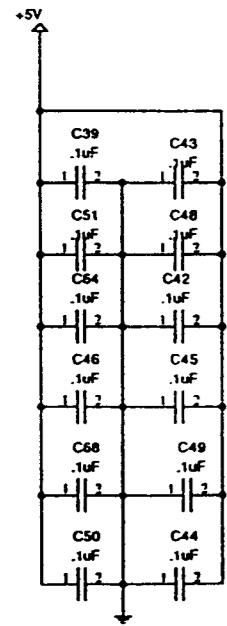
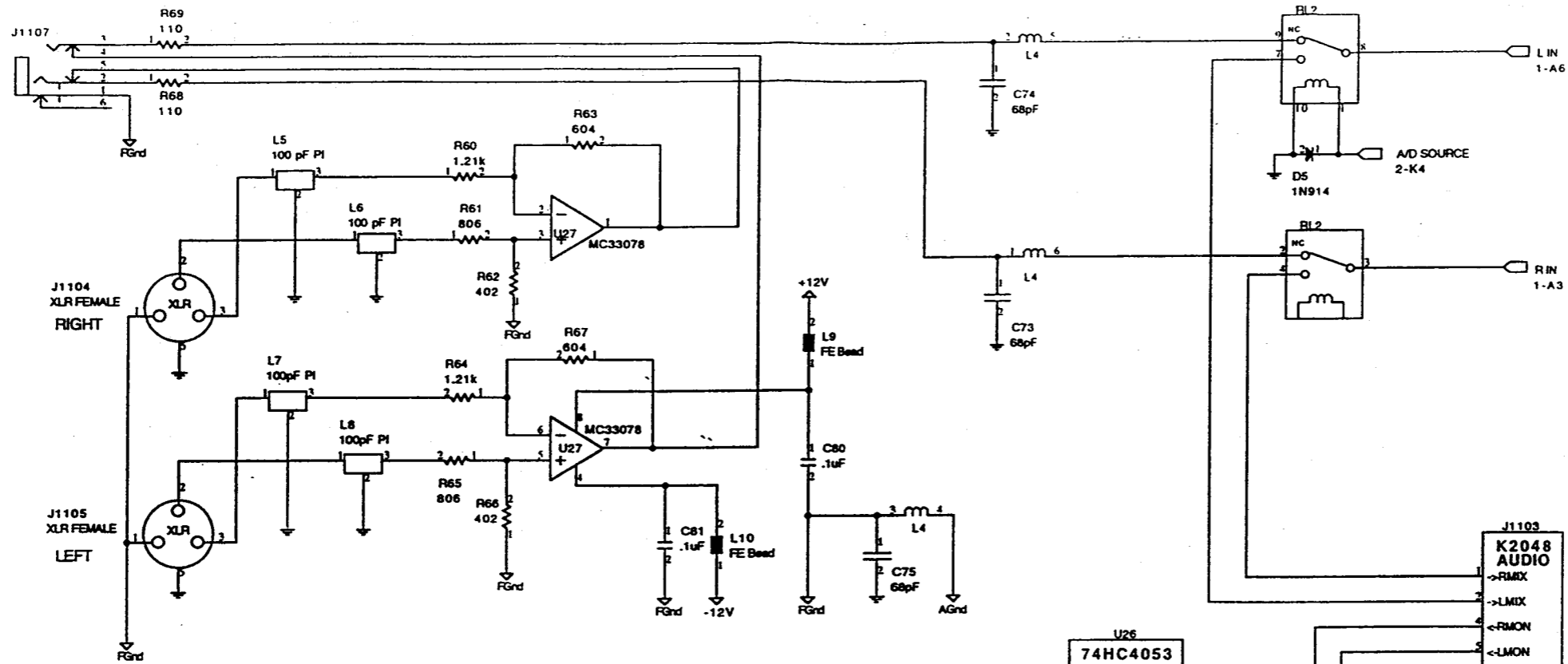
YOUNG CHANG CO., LTD.	
Young Chang R&D Inst. - Waltham, MA, USA	
Duplication without the express written consent of Young Chang Co., Ltd. is prohibited.	
Sample Option I/O SMP-2	
Filename: 021078A1.DS2	Date: 10/3/95
Eng:	By: M. Richmond
Mfg:	Sht 1 of 1
Doc#: 021078	Rev: A Ver 1



B-AS

YOUNG CHANG CO., LTD.
 Young Chang R&D Inc. - Waltham, MA, USA
 Duplication without the express written consent of
 Young Chang Co., Ltd. is prohibited.
 Sample Option SMP-2
 digital interface
 Filename: 021075C1.DS2 Date: 10/3/95
 Eng: By: Richmond
 Mfg: Sht 3 of 4
 Doc#: 021075 Rev: RCV1

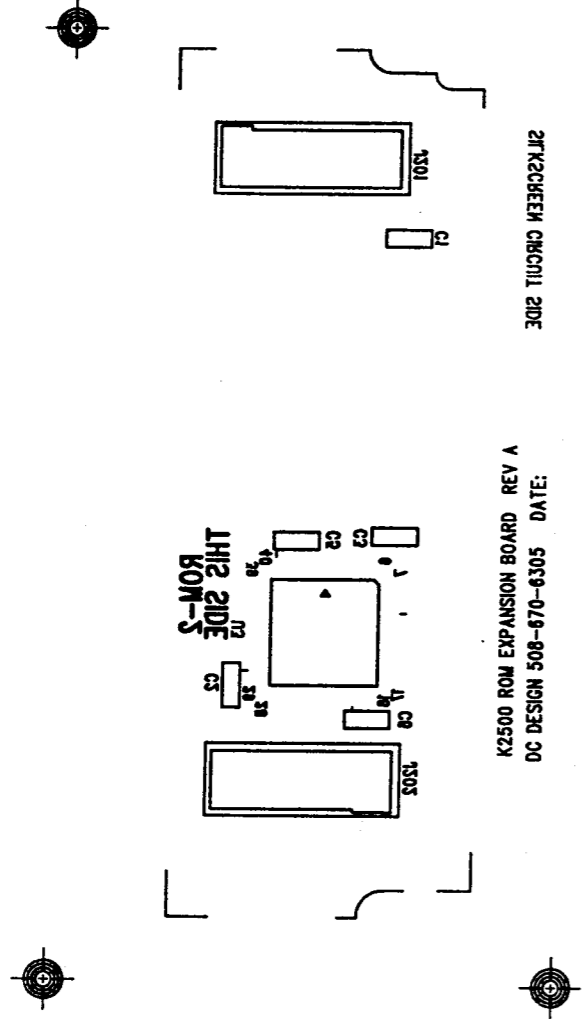
Keep R68 & R69 close to J1107



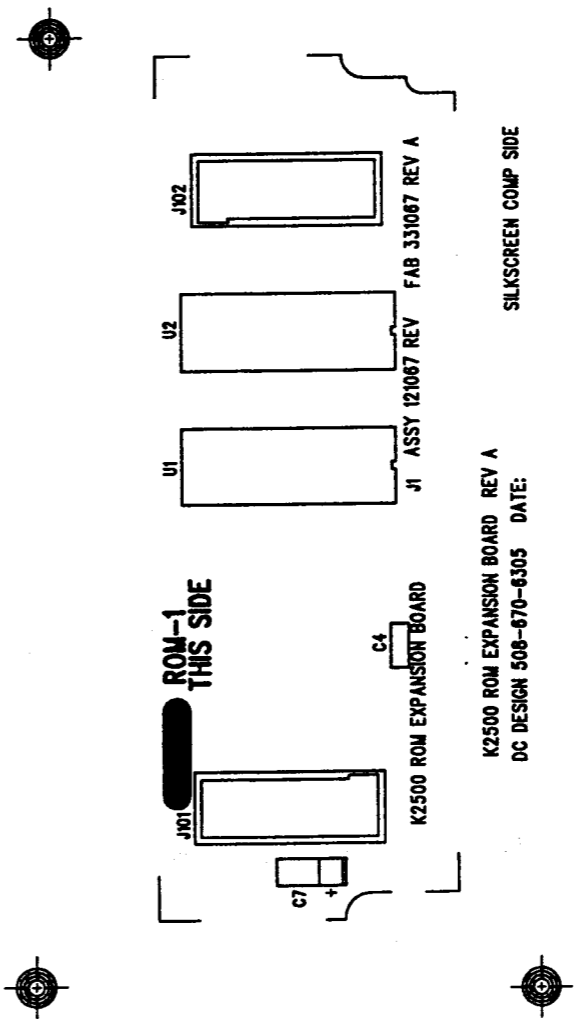
YOUNG CHANG CO., LTD. Young Chang R&D Inst. - Waltham, MA, USA	
Duplication without the express written consent of Young Chang Co., Ltd. is prohibited.	
Sample Option SMP-2 Analog Input/P.S.	
Filename: 021075C1.DS2	Date: 10/3/95
Eng:	By: Richmond
Mfg:	Sh 4 of 4
Doc#: 021075	Rev: RCV1

B-46

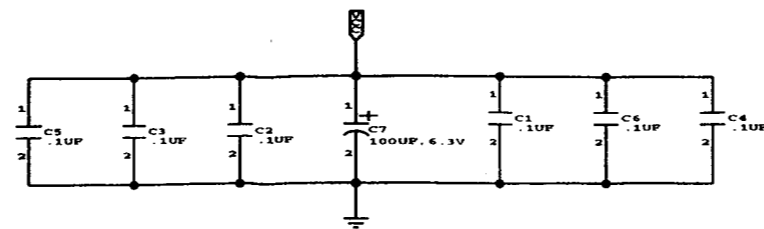
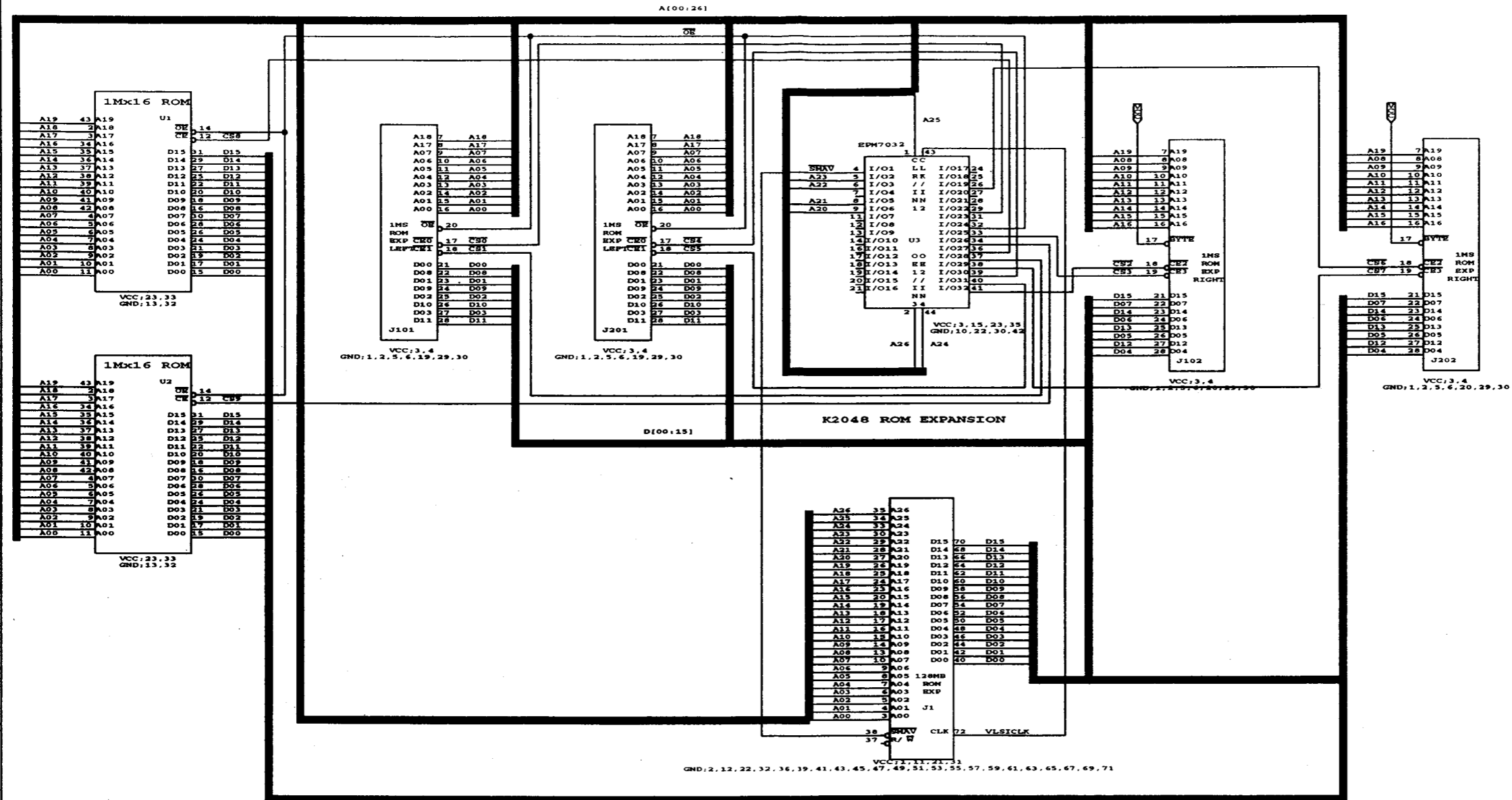
B-46



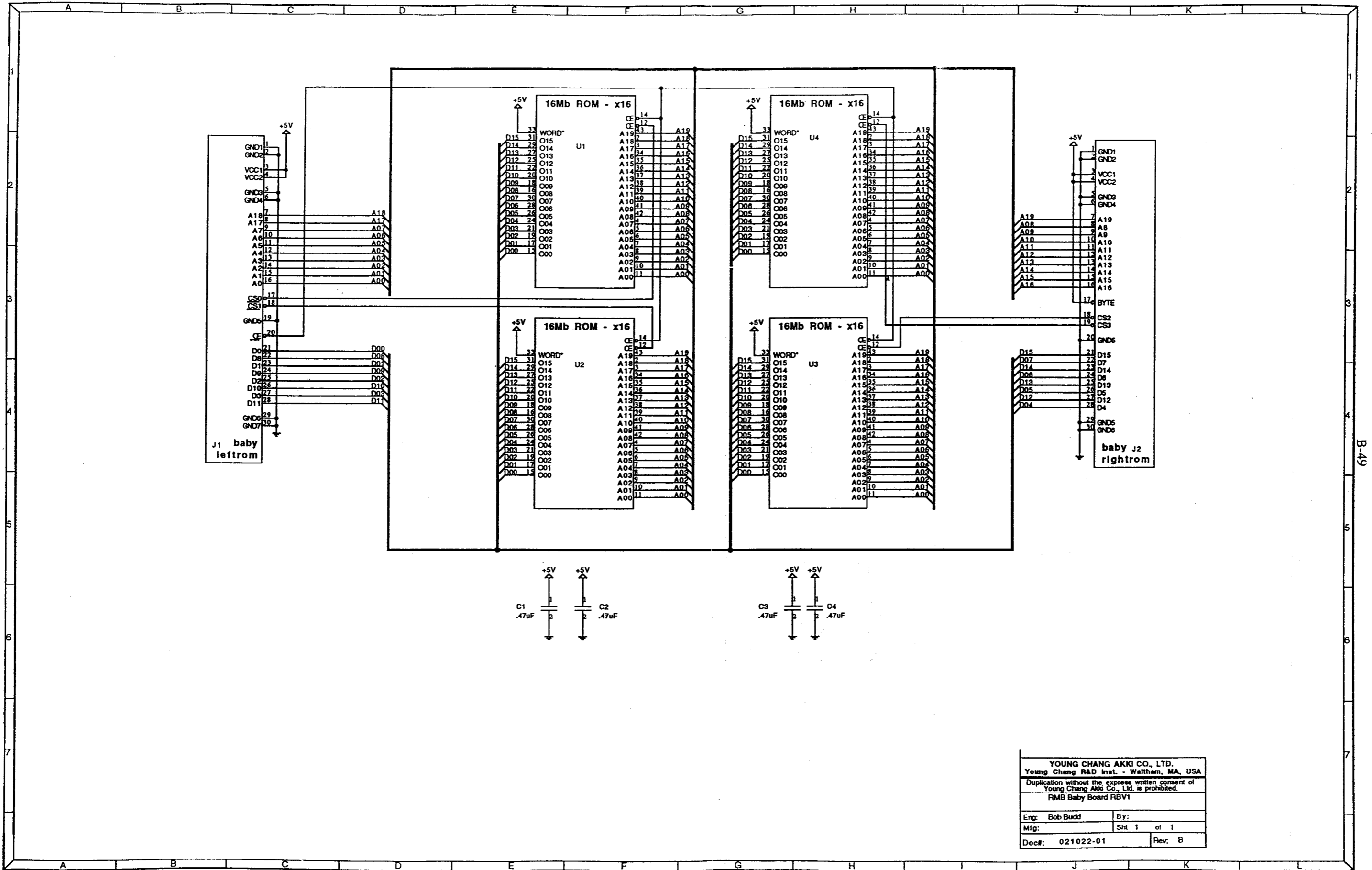
YOUNG CHANG AKKI CO. LTD		ENG: BOB BUDD	BY: D.C. DESIGN
YOUNG CHANG R&D INSTITUTE WALTHAM MA USA		MFG:	
DUPLICATION WITHOUT THE EXPRESS WRITTEN CONCENT OF		DOC# 001067 REV A	2-21-95
YOUNG CHANG AKKI CO. LTD IS PROHIBITED			



YOUNG CHANG AKKI CO. LTD		ENG: BOB BUDD	BY: D.C. DESIGN
YOUNG CHANG R&D INSTITUTE WALTHAM MA USA		MFG:	
DUPLICATION WITHOUT THE EXPRESS WRITTEN CONCENT OF		DOC# 001067 REV A	2-21-95
YOUNG CHANG AKKI CO. LTD IS PROHIBITED			



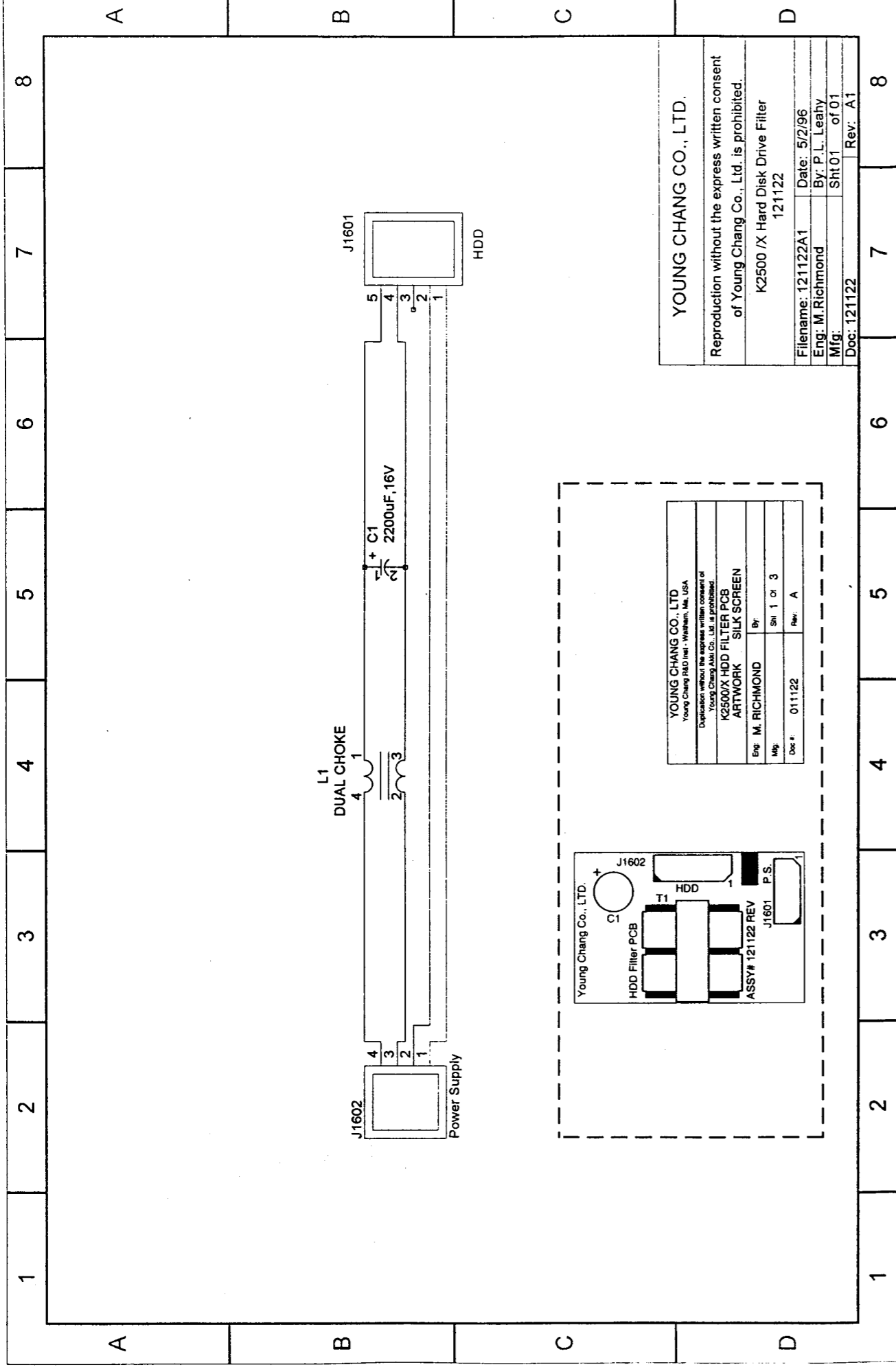
YOUNG CHANG CO. Young Chang R&D Inst. - Waltham, MA, USA	
Reproduction without the express written consent of Young Chang Co. is prohibited	
K2500 ROM EXPANSION MAIN PCB CIRCUITRY ON PAGE	
Filename: 021067_A	22 SEPT 1995
Eng:	By: B. BUDD
Mfg:	Sht 1 of 1
Doc #: 021067	Rev: RAV1



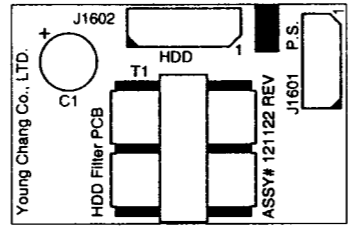
B-49

YOUNG CHANG AKKI CO., LTD.
 Young Chang R&D Inst. - Waltham, MA, USA
 Duplication without the express written consent of
 Young Chang Akki Co., Ltd. is prohibited.
 RMB Baby Board RBV1

Eng: Bob Budd	By:
Mfg:	Shit 1 of 1
Doc#: 021022-01	Rev. B



YOUNG CHANG CO., LTD.	
Young Chang R&D Int. - Waltham, MA, USA	
Duplication without the express written consent of Young Chang Co., Ltd. is prohibited.	
K2500X HDD FILTER PCB	
ARTWORK SILK SCREEN	
Eng: M. RICHMOND	By:
Mfg:	SN 1 of 3
Doc #: 011122	Rev: A



YOUNG CHANG CO., LTD.	
Reproduction without the express written consent of Young Chang Co., Ltd. is prohibited.	
K2500 /X Hard Disk Drive Filter	
121122	
Filename: 121122A1	Date: 5/2/96
Eng: M. Richmond	By: P. L. Leahy
Mfg:	Sht 01 of 01
Doc: 121122	Rev: A1