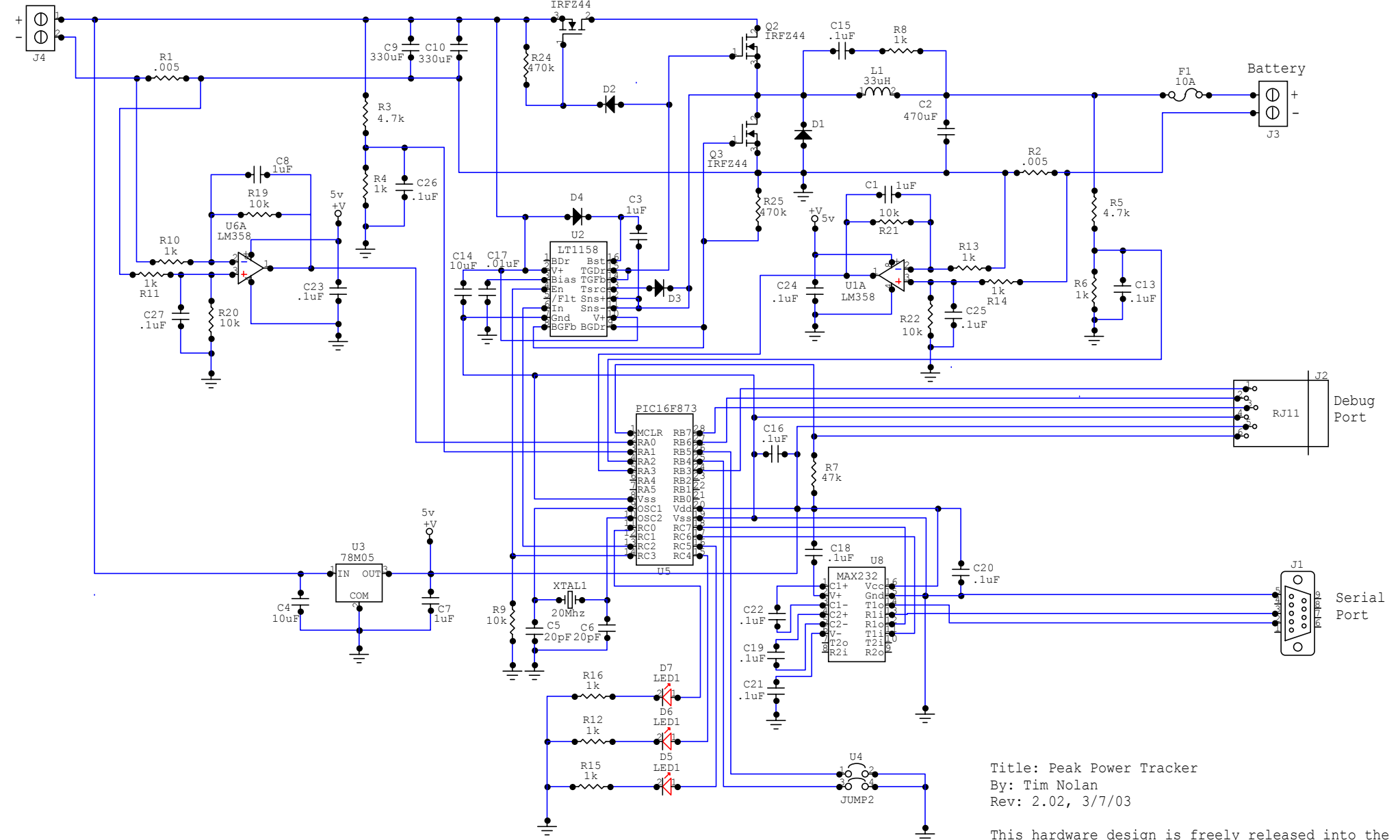


Solar Panel



Title: Peak Power Tracker
 By: Tim Nolan
 Rev: 2.02, 3/7/03

This hardware design is freely released into the public domain as is. You may use it and/or modify it as you see fit. All I ask is that you give me credit by including my name and website in your documentation; Tim Nolan, www.timnolan.com.