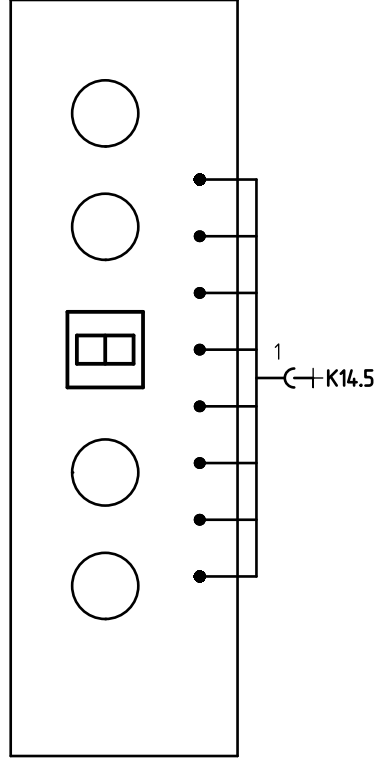
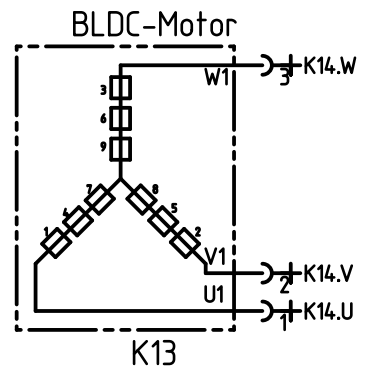


Intended changes opposing release specimen or specification offer must be advised in time and may only be introduced following written clearance. Deviating designs will be refused.
 The reproduction, transmission or use of this document or its contents is not permitted without express written authority. Offenders will be liable for damages. All rights including rights created by patent grant or registration of a utility model or design are reserved. Copyright reserved.

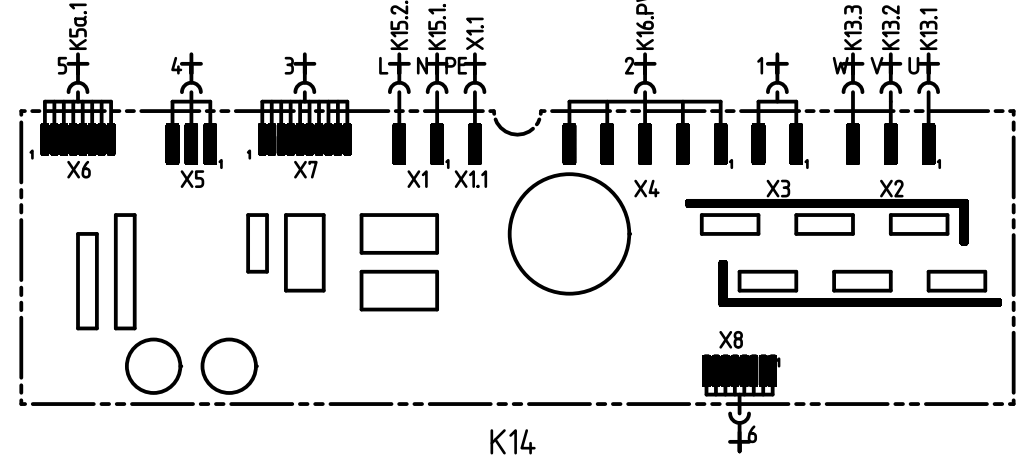
Steuerplatine



K5a

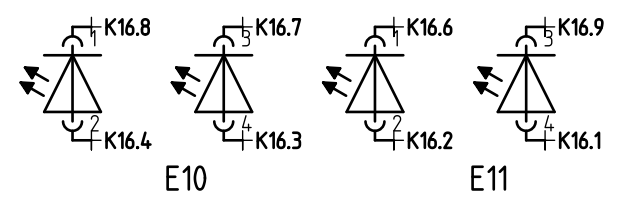


Leistungsmodul

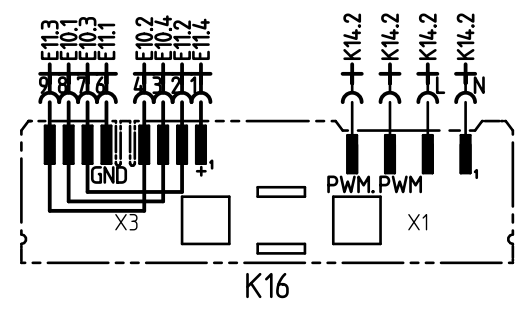


K14

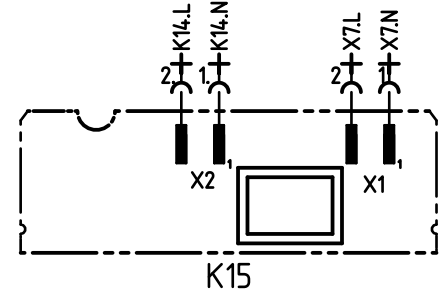
LED



Transformatorwert

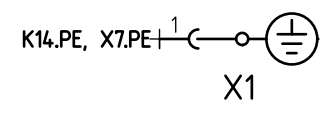


PVC-Platine



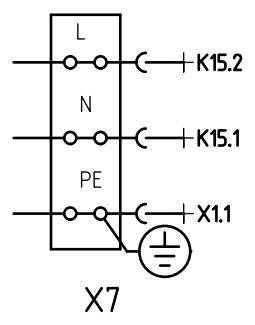
K15

Erdungsträger



X1

Netzanschlussklemme

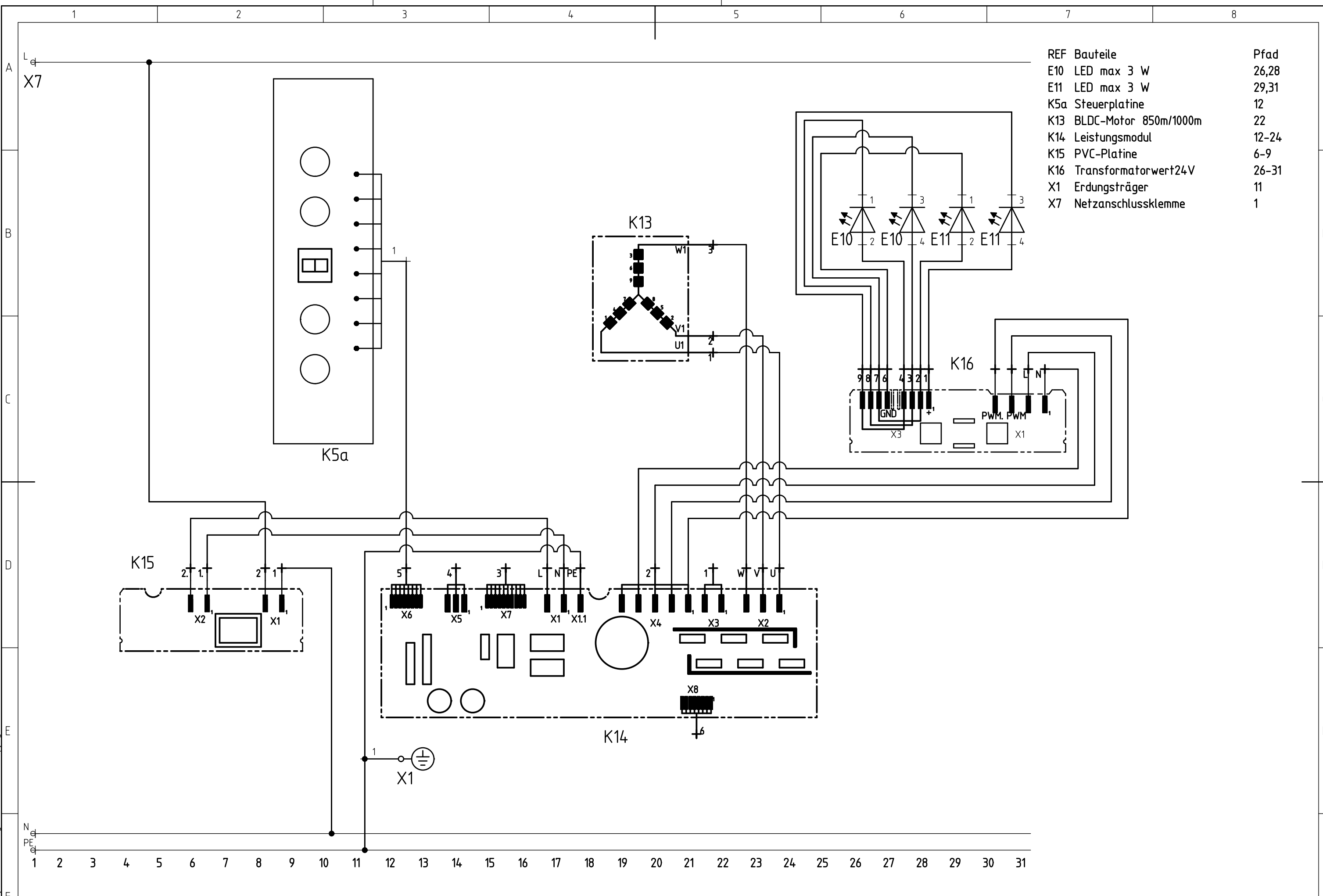


X7

Designation Connection Diagram	LCS	Document No. 5750 2508248P01	Rev A	Sheet-No. 1
	DE	Material No. 9000866354		of 1

Intended changes opposing release specimen or specification offer must be advised in time and may only be introduced following written clearance. Deviating designs will be refused.

The reproduction, transmission or use of this document or its contents is not permitted without express written authority. Offenders will be liable for damages. All rights including rights created by patent grant or registration of a utility model or design are reserved. Copyright reserved.



REF	Bauteile	Pfad
E10	LED max 3 W	26,28
E11	LED max 3 W	29,31
K5a	Steuerplatine	12
K13	BLDC-Motor 850m/1000m	22
K14	Leistungsmodul	12-24
K15	PVC-Platine	6-9
K16	Transformatorwert24V	26-31
X1	Erdungsträger	11
X7	Netzanschlussklemme	1