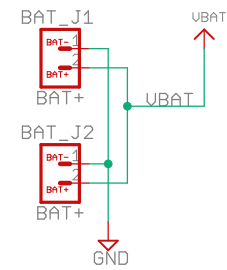
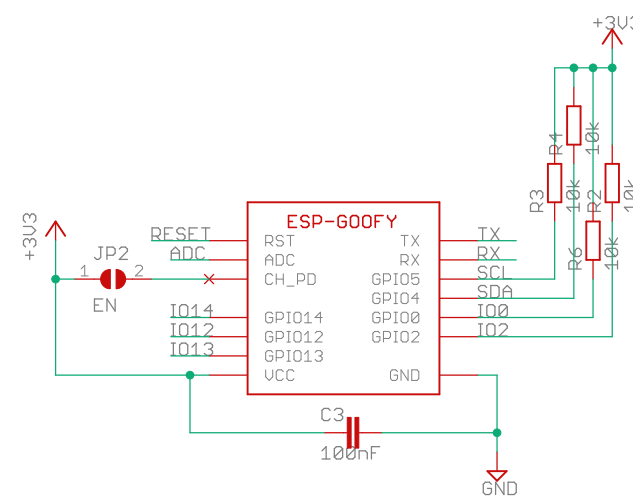


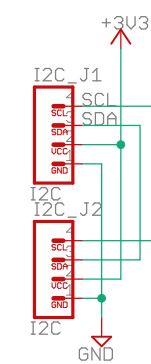
Spannungsversorgung



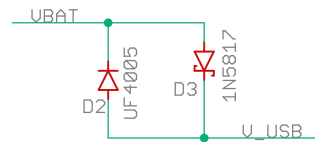
Mikrocontroller



I2C sensors

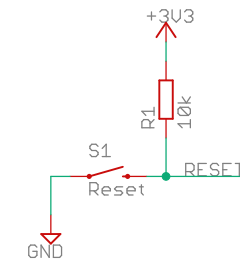


Block/allow directcharging from USB/FTDI

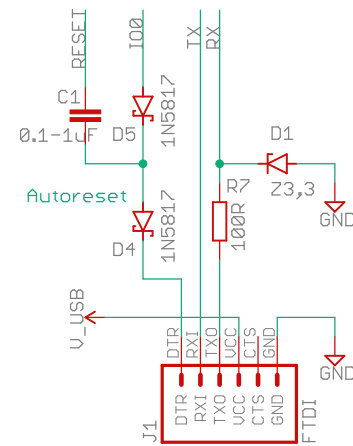


Default: deny charging the Battery
 D3 Schottky Diode, Vf low as possible
 Attention: allow directcharging
 D2 Diode
 5V@Uusb: Vf >0.8V/500mA
 3.3V@Uusb: Vf low as possible/500mA

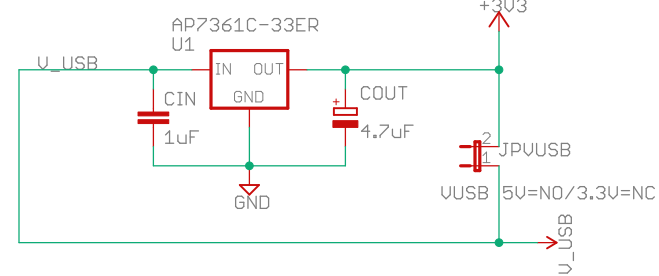
Reset/Wakeup



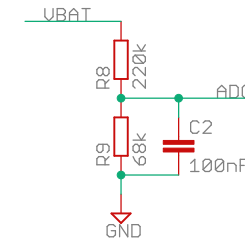
Programming/Logic Level



Spannungsregler



Messung Akkuspannung



mcu_board_esp-goofy_r4	
10.12.19 23:07	
Sheet: 1/1	