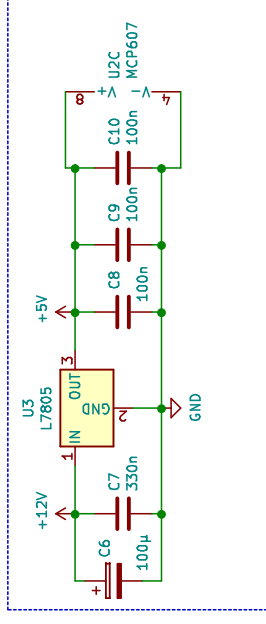
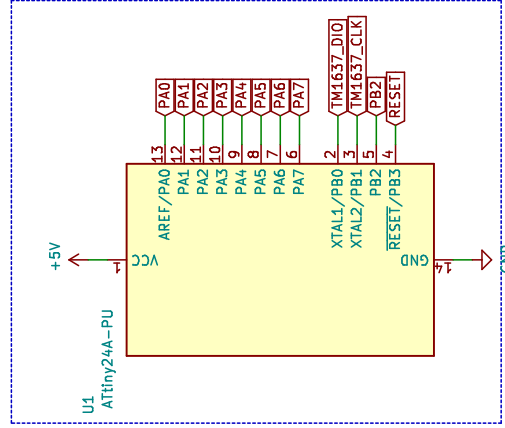


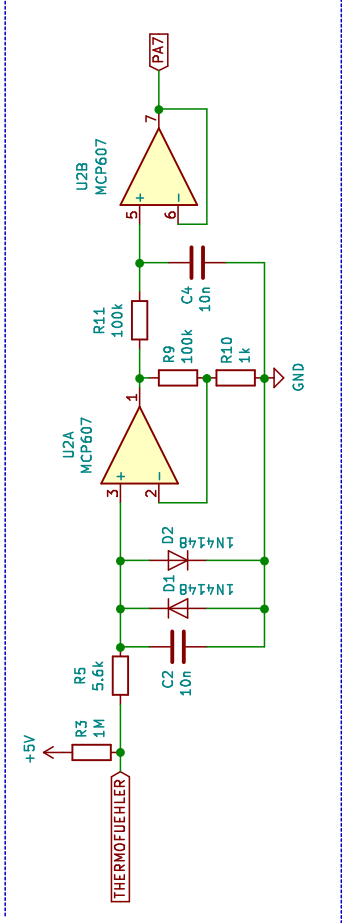
## Connectors



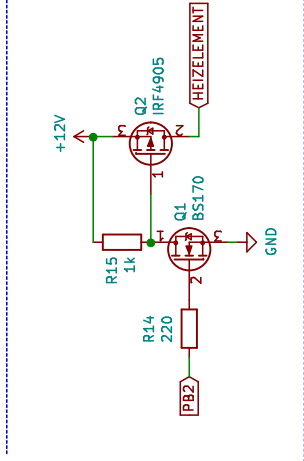
## Power Supply



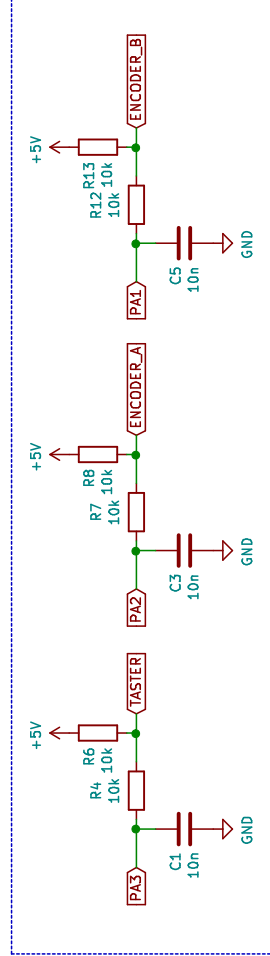
## Microcontroller



## Thermocouple Amplifier



## Heating Element Power Switch



## Rotary-Encoder and Pushbutton with Debouncing

DIY Soldering Station for Weller RT tips  
Marcel Meyer Garcia 2019