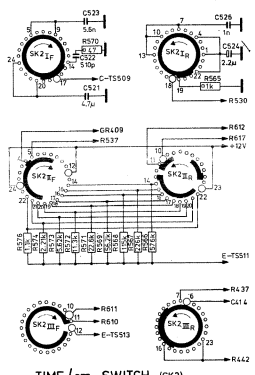
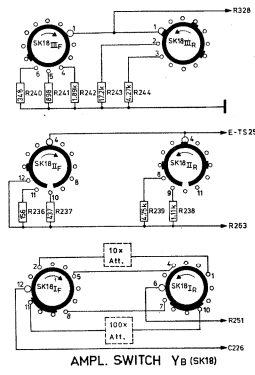


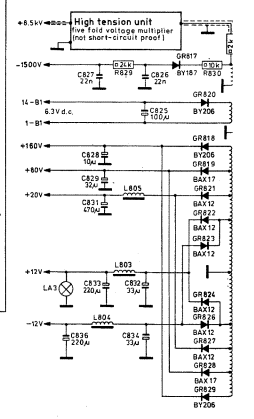
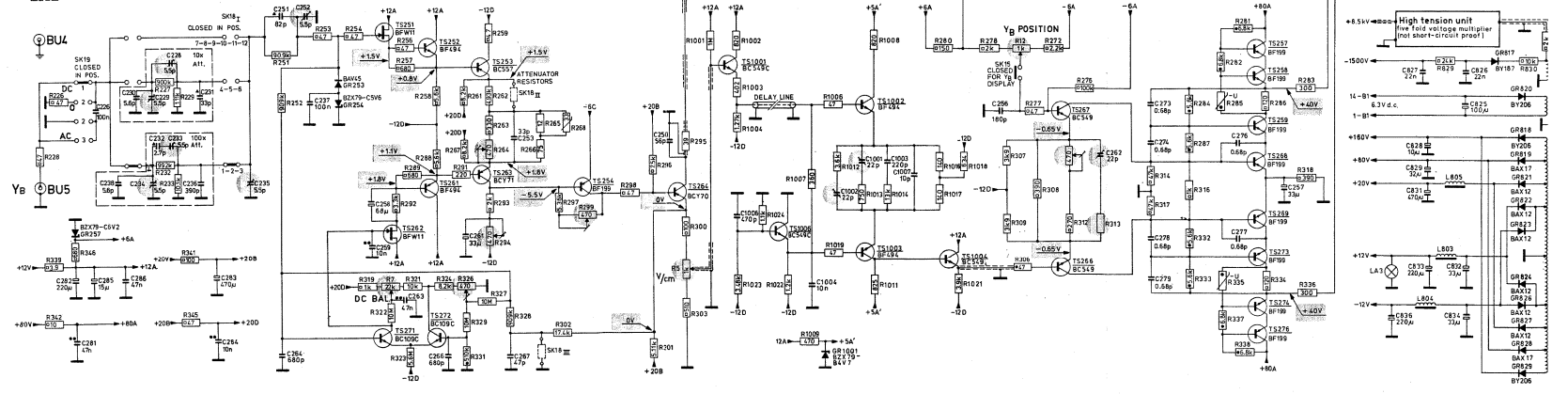
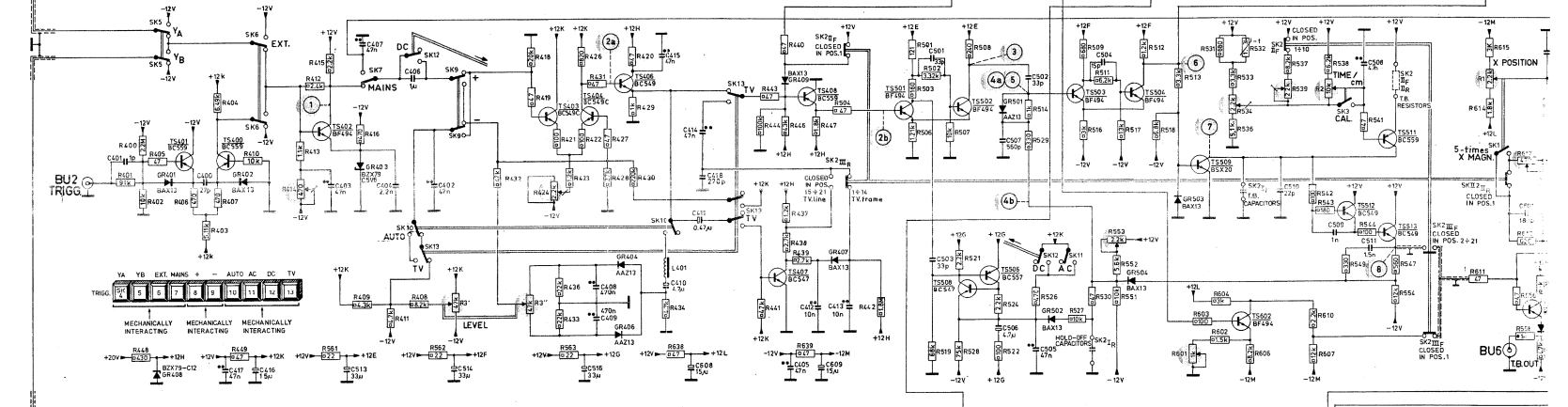
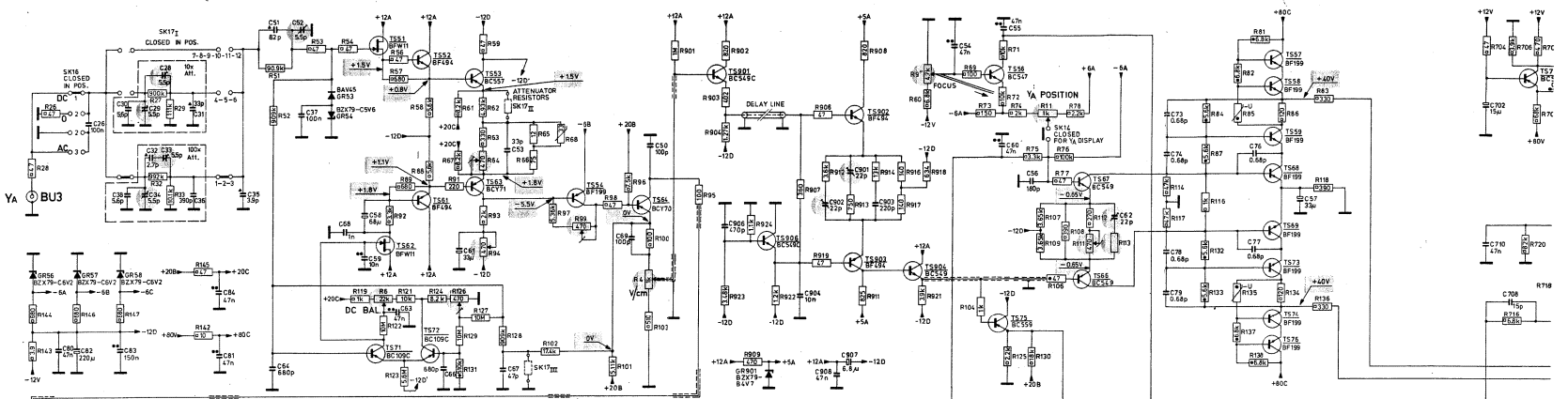
AMPL. SWITCH YA (SK17)



TIME/cm SWITCH (SK2)



AMPL. SWITCH Yb (SK18)



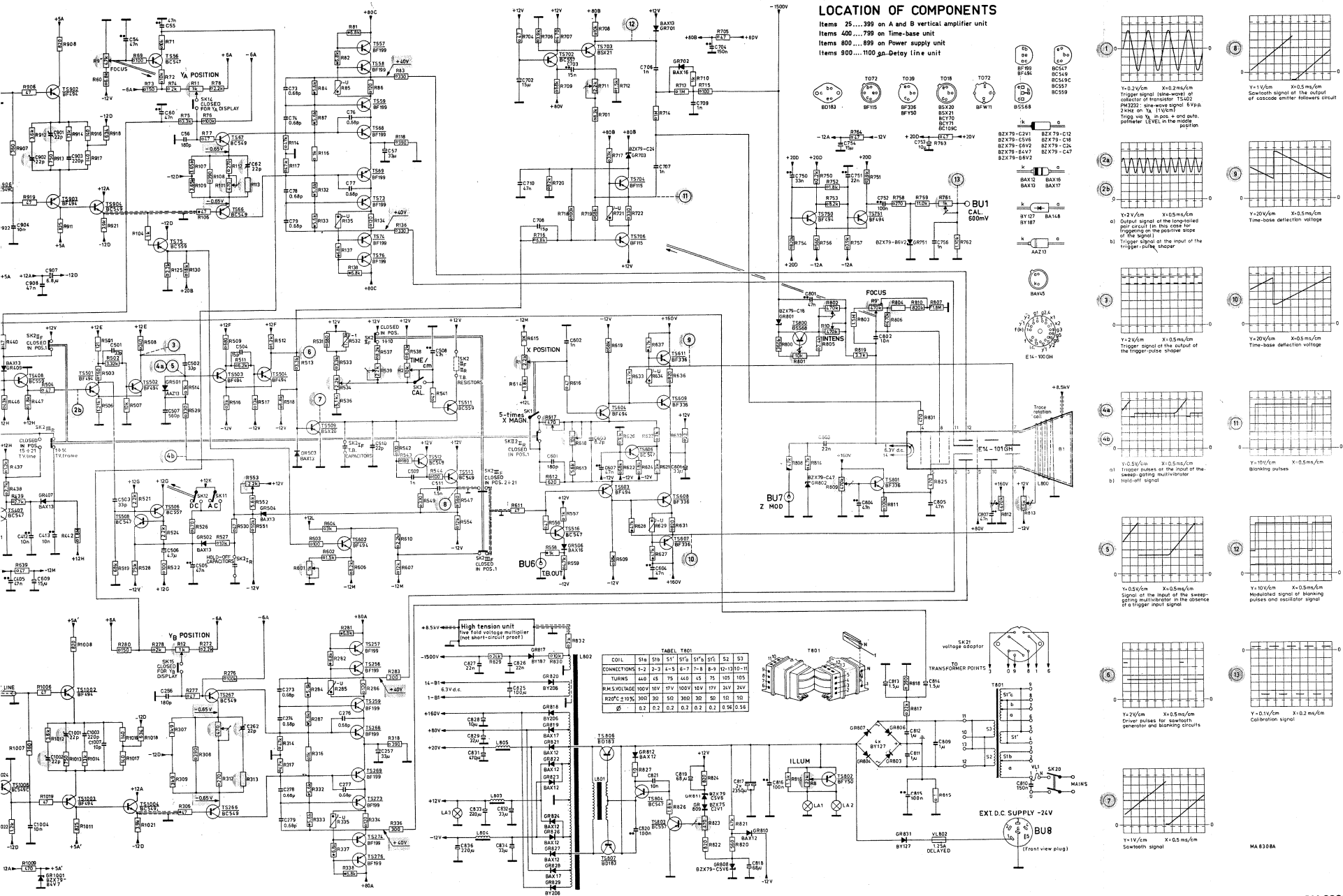


Fig. 3.43. Circuit diagram of the complete oscilloscope PM 3233 (small)