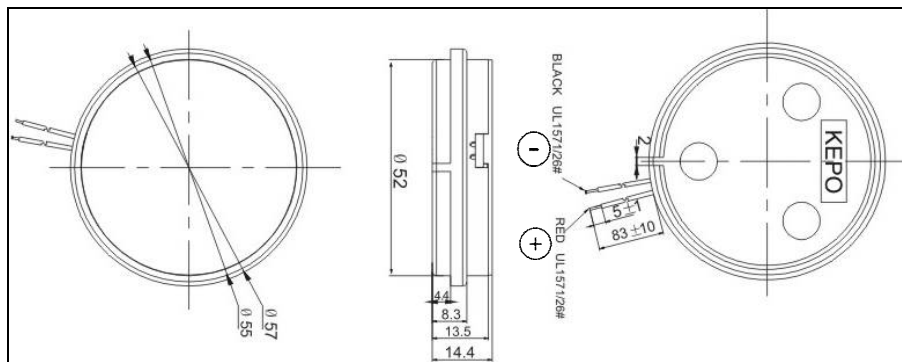


Technical datasheet: PCT-G5720-K6320

Specifications:

Operating Temperature	-40°C to +70°C
Storage Temperature	-40°C to +80°C
Rated Voltage	4.2Vrms Sine Wave
Max Allowable Voltage	60Vp-p Square Wave
Min SPL	104dB at 4.2Vrms /1Khz to 5kHz/30cm
Capacitance at 100HZ	200000pF±30%pF
Weight	15g
Case Material/Color	PC/Black
Tone Nature	Continues

Dimensions:



Frequency Response:

