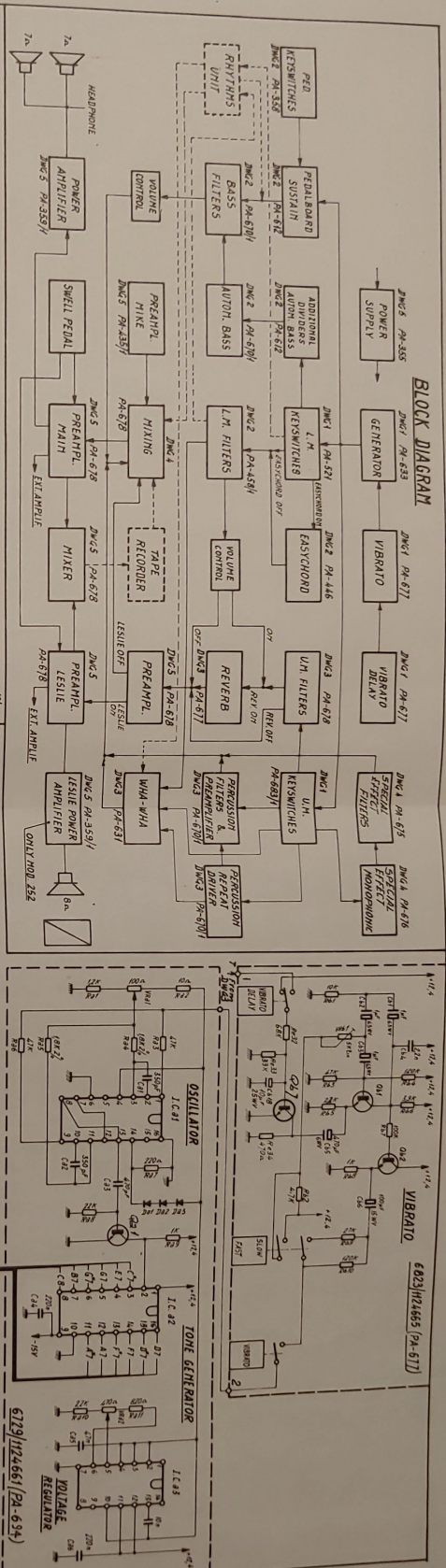
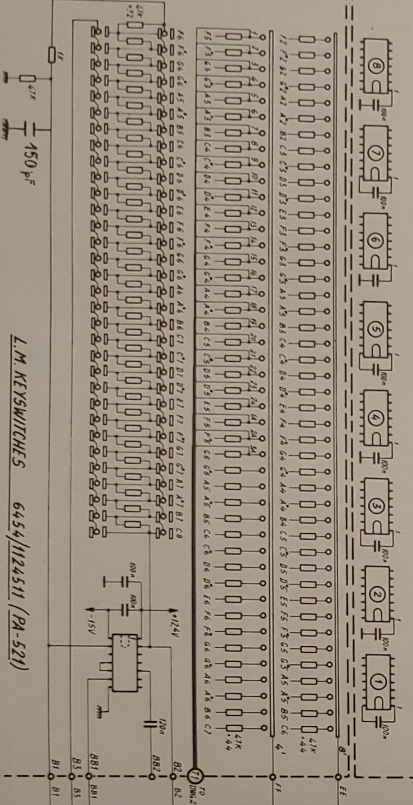
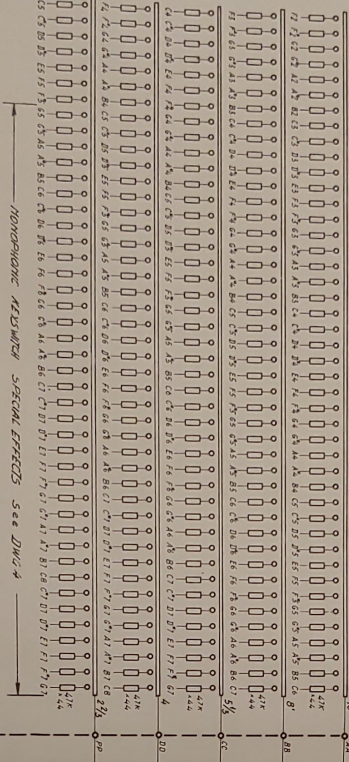


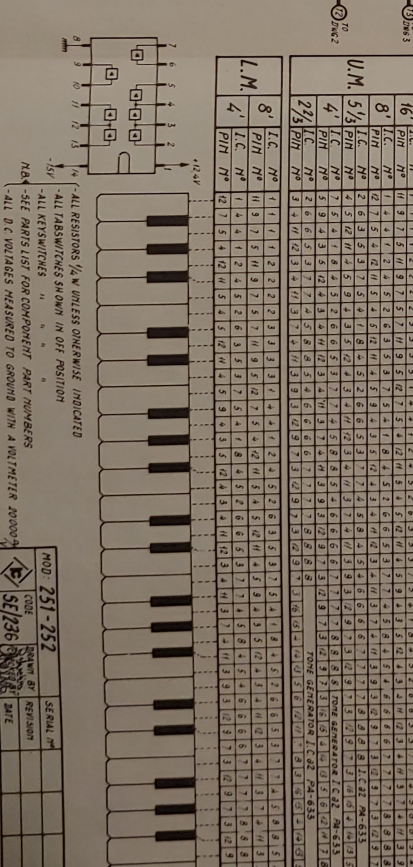
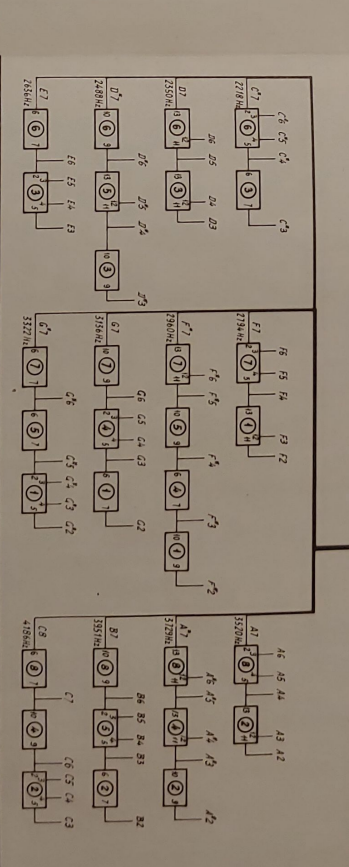
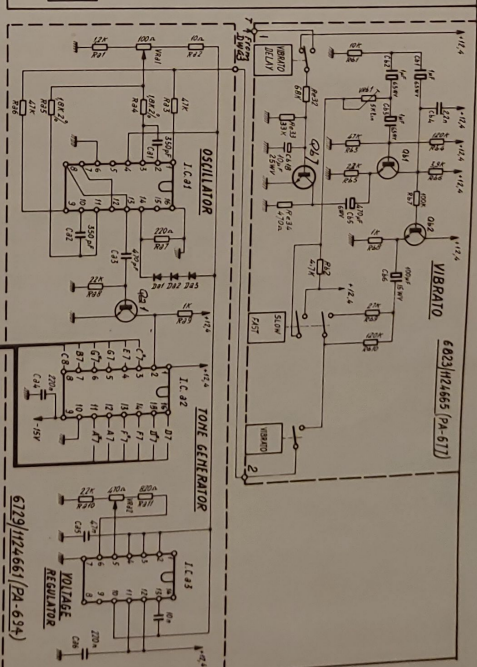
BLOCK DIAGRAM



U.M. KEYSWITCHES 6825/1124675 (PA-6831)

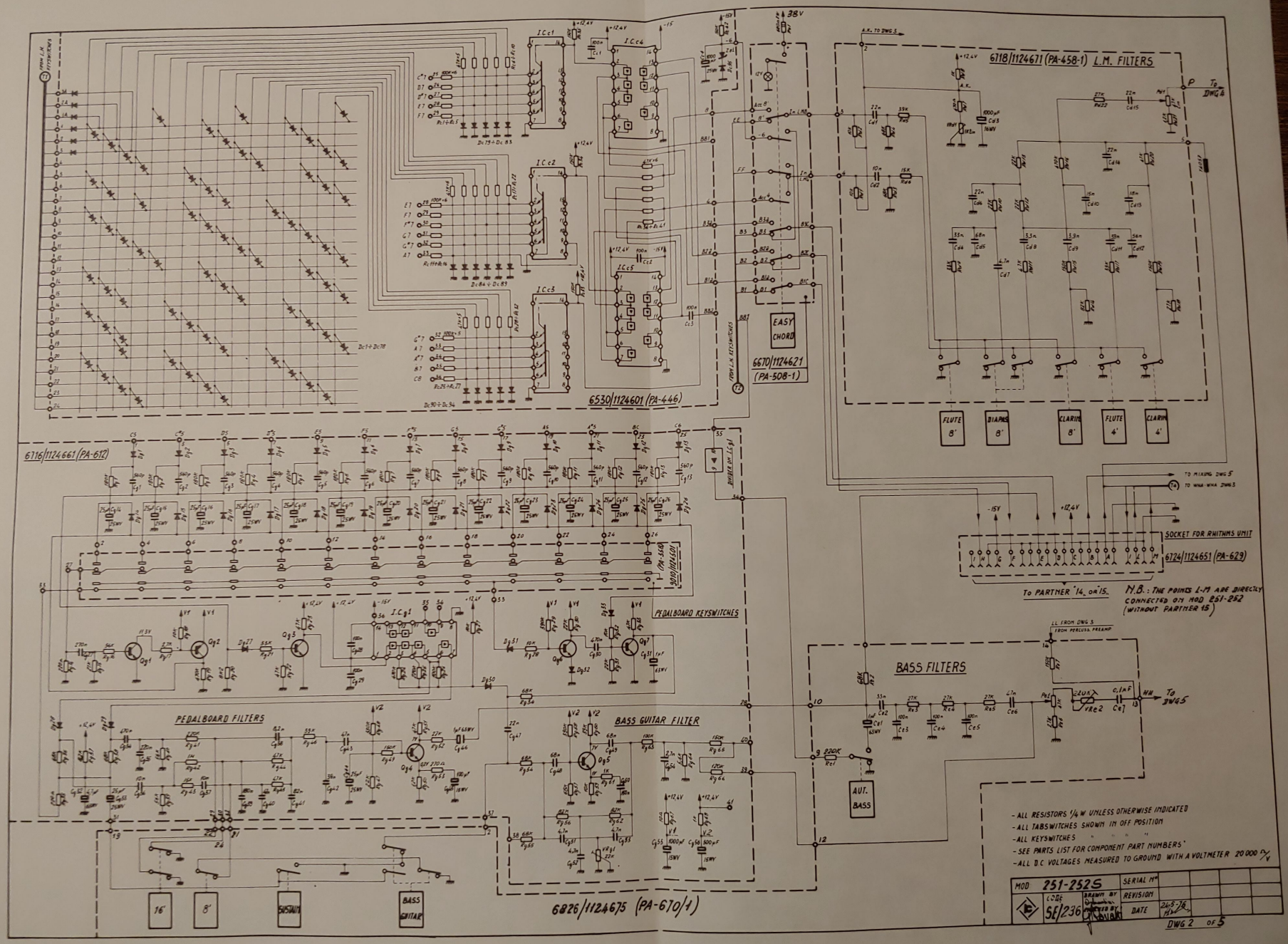


6825/1124665 (PA-611)



ALL RESISTORS 1/4 W UNLESS OTHERWISE INDICATED
 ALL CAPACITORS SHOWN IN OBT POSITION
 ALL KEYSWITCHES
 PARTS LIST FOR COMPONENT PART NUMBERS
 ALL D.C. VOLTAGES MEASURED TO GROUND WITH A METER IN 2000Ω

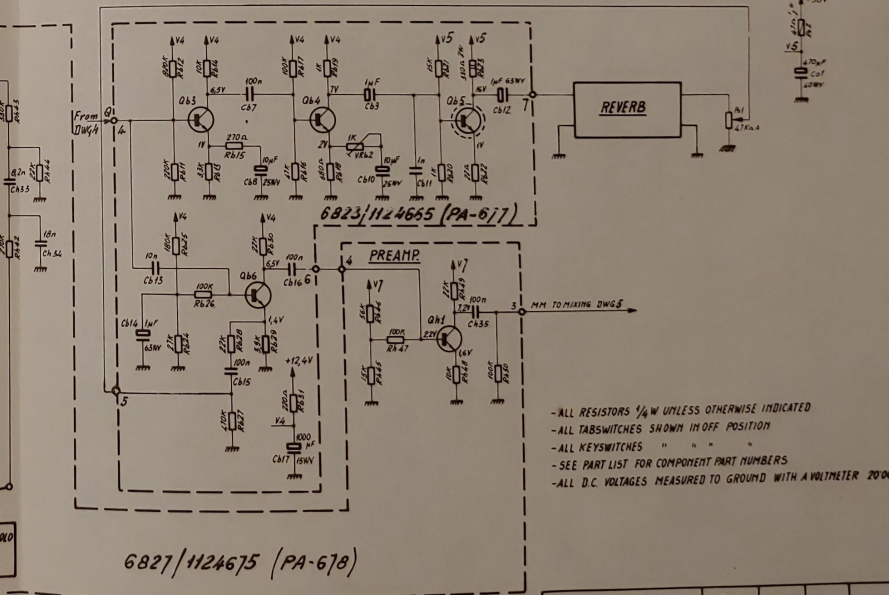
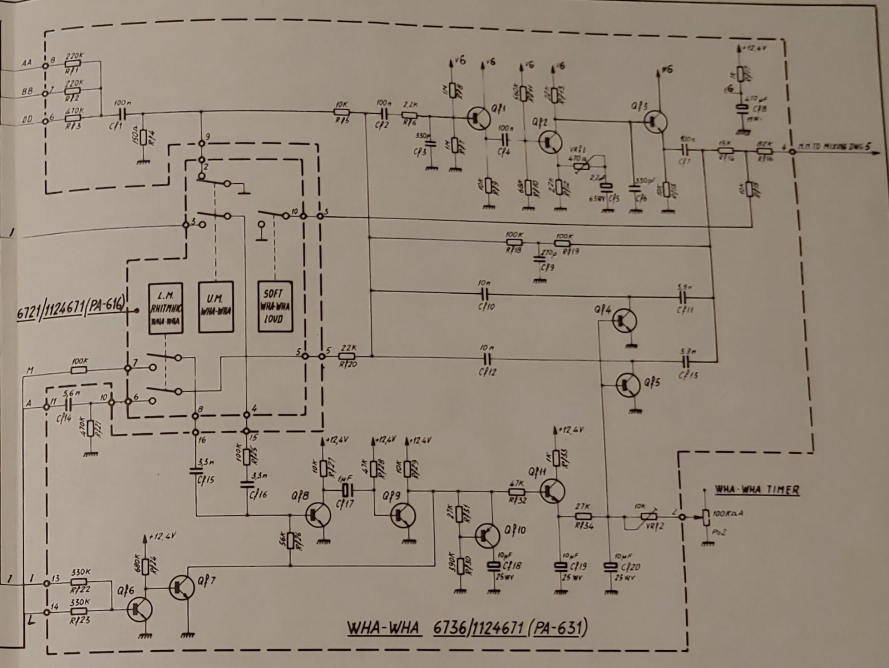
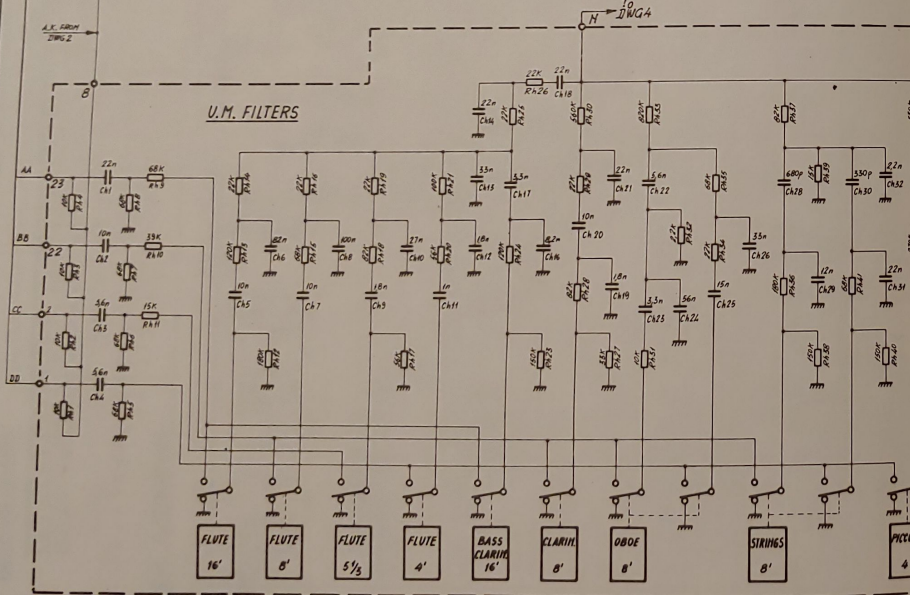
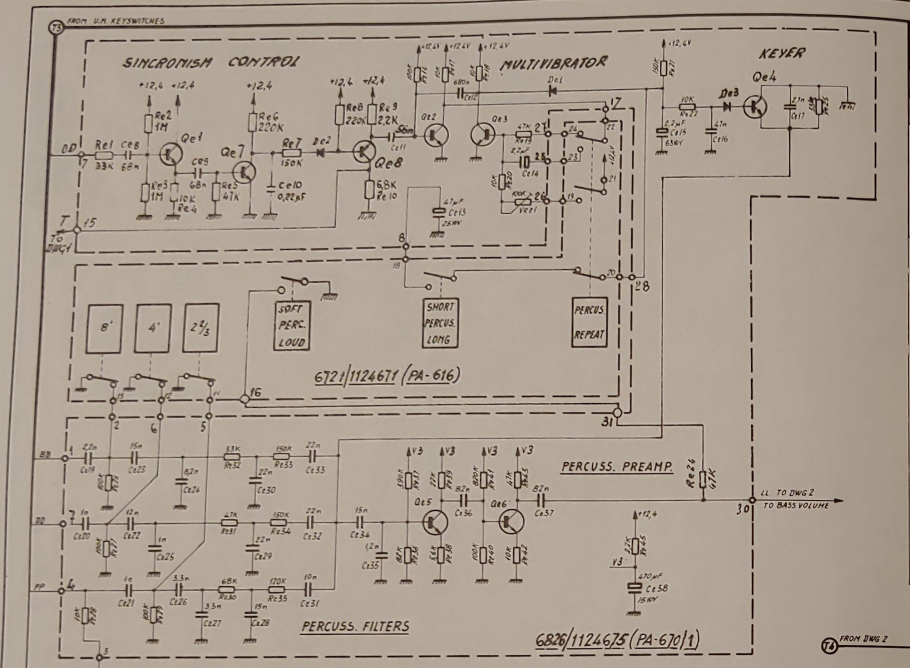
MOO	251-252	SERIAL NO.
CODE	5/1/36	
DATE		



- ALL RESISTORS 1/4 W UNLESS OTHERWISE INDICATED
 - ALL TABSWITCHES SHOWN IN OFF POSITION
 - ALL KEYSWITCHES
 - SEE PARTS LIST FOR COMPONENT PART NUMBERS
 - ALL D.C. VOLTAGES MEASURED TO GROUND WITH A VOLTMETER 20 000 Ω

MOD	251-252S	SERIAL N°	
CODE		REVISION	
DATE	24-3-76	DESIGNED BY	
		REVIEWED BY	

DWG 2 OF 5

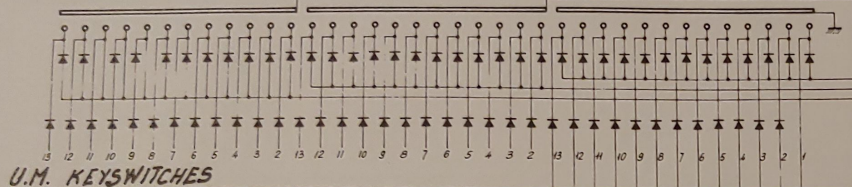


- ALL RESISTORS 1/4 W UNLESS OTHERWISE INDICATED
- ALL TABSWITCHES SHOWN IN OFF POSITION
- ALL KEYSWITCHES
- SEE PART LIST FOR COMPONENT PART NUMBERS
- ALL D.C. VOLTAGES MEASURED TO GROUND WITH A VOLTMETER 20000 Ω

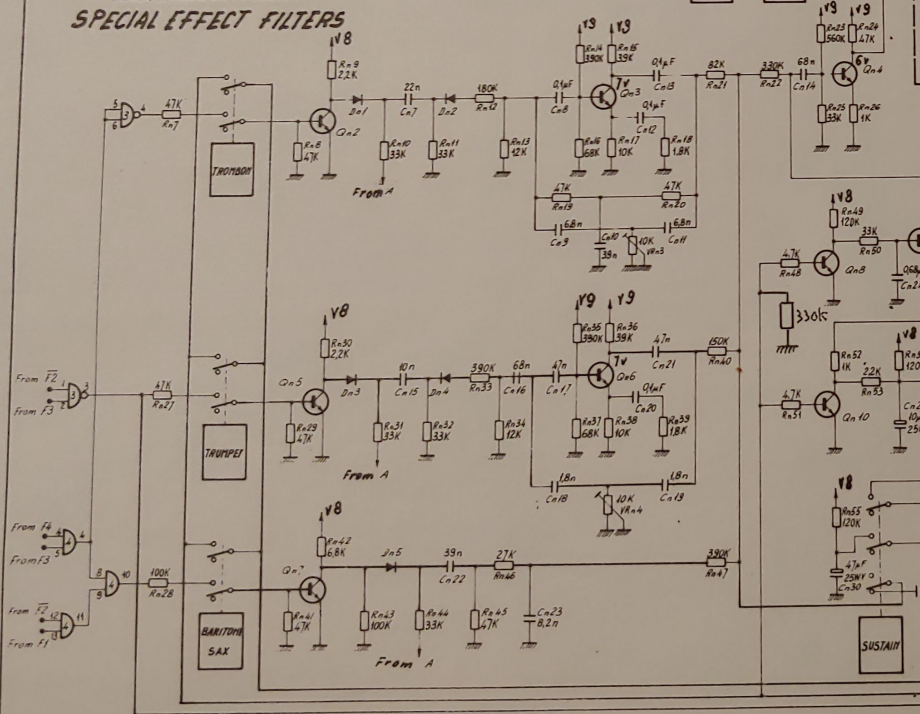
MOD. 251-252 S	SERIAL N°
CODE	REVISION
DATE	DATE

sf236

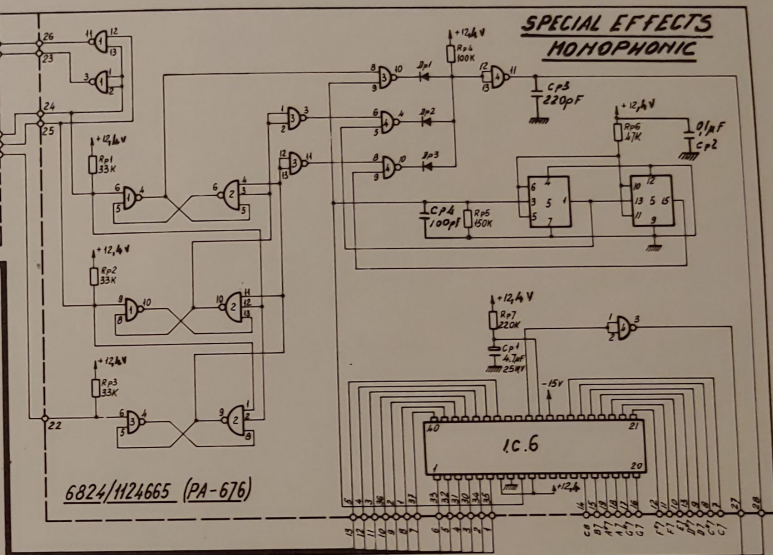
6825/H24665 (PA-683/1)



6822/H24665 (PA-675)
SPECIAL EFFECT FILTERS

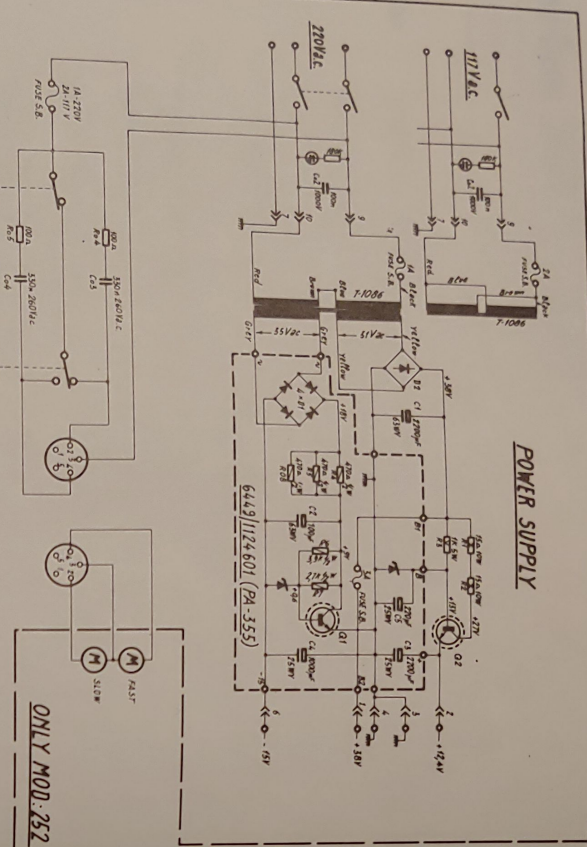


6824/H24665 (PA-676)



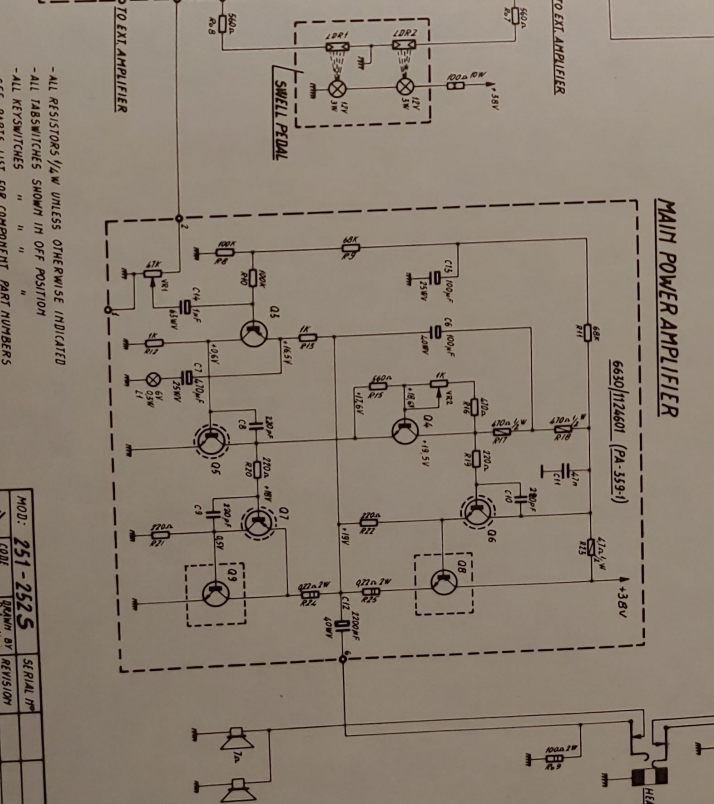
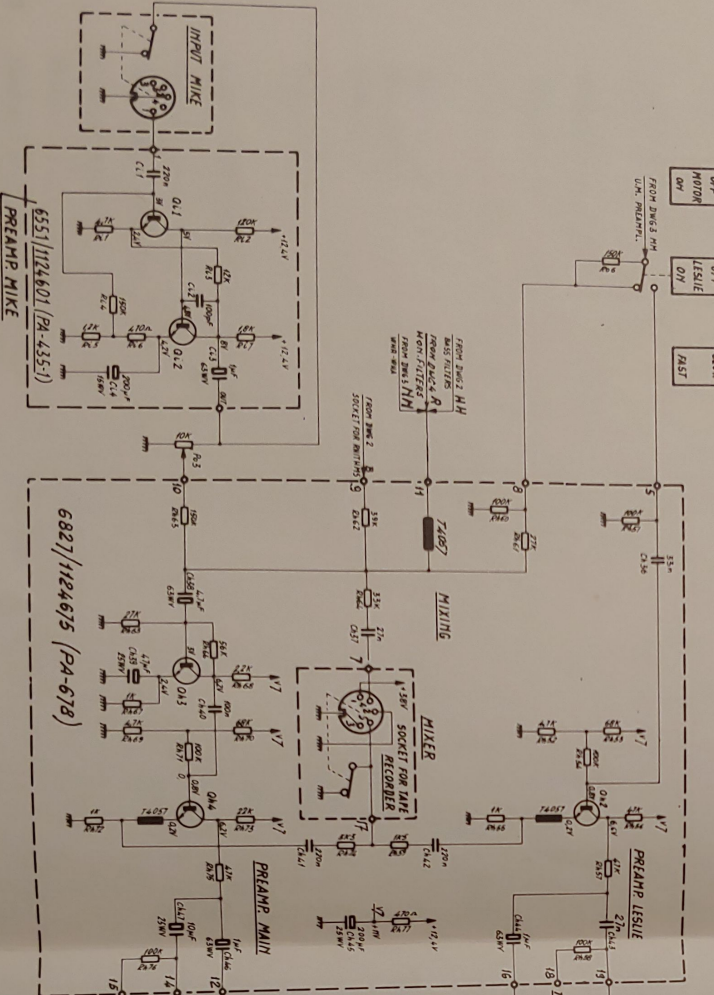
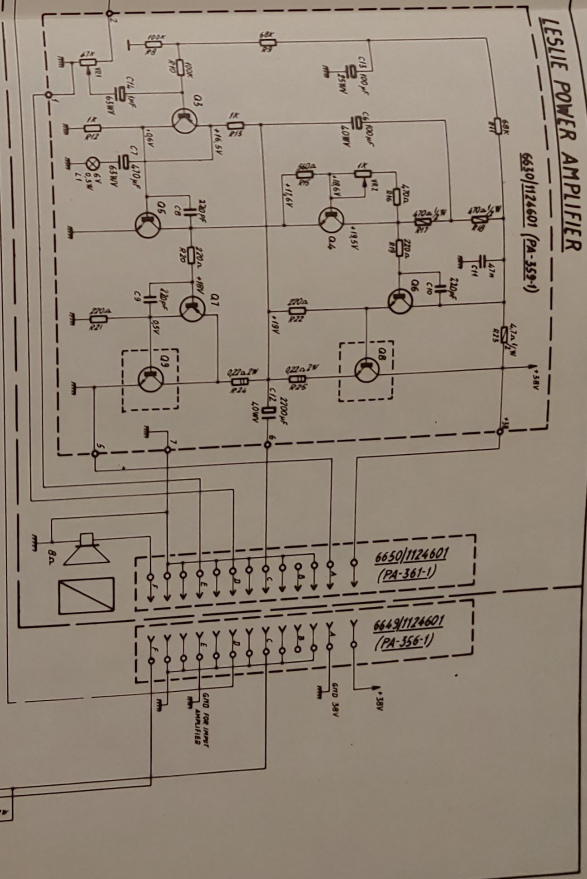
WOP	251-252 S	SERIAL 17
SE-236	REVISED	DATE
	24-5-76	

POWER SUPPLY



ONLY MOD. 252

LESIE POWER AMPLIFIER



- ALL RESISTORS 1/2W UNLESS OTHERWISE INDICATED
- ALL TAPSWITCHES SHOWN IN OFF POSITION
- ALL RESWITCHES " " " "
- SEE PARTS LIST FOR COMPONENT PART NUMBERS
- ALL D.C. VOLTAGES MEASURED TO GROUND WITH A VOLTMETER 20000 Ω/V

MOD.	251-2525	SERIAL NO.
COIL	5E/126	
REVISION		
DATE		
INVS. OF 5		