

RPI-OUT2 Modul

Konfiguration:

```
pigs modes 4 w
pigs modes 3 w
pigs modes 2 w
pigs modes 5 w
```

generelle Freigabe:

```
pigs w 4 0
```

OUT1:

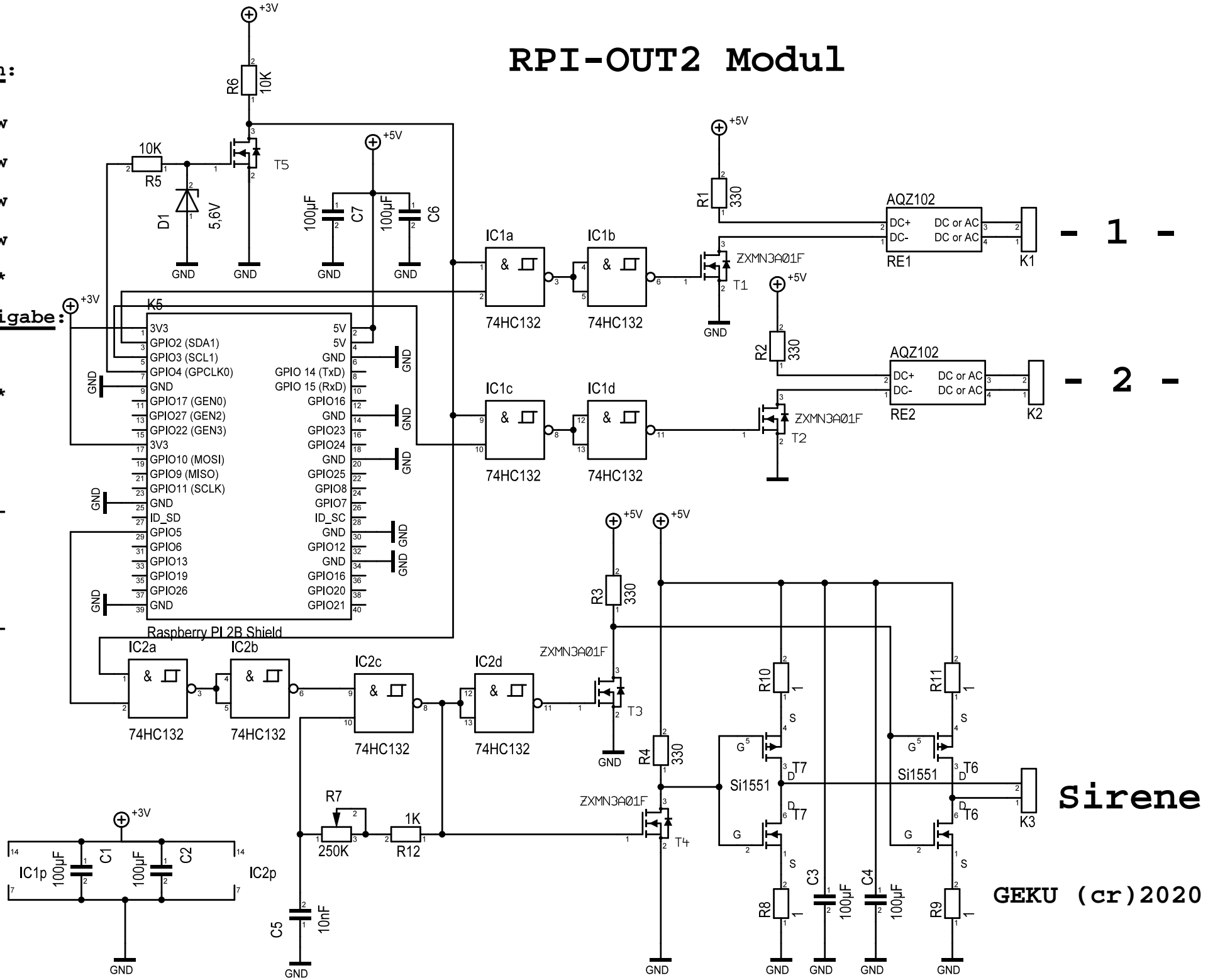
```
pigs w 2 1
```

OUT2:

```
pigs w 3 1
```

Sirene:

```
pigs w 5 1
```



- 1 -

- 2 -

Sirene

GEKU (cr)2020