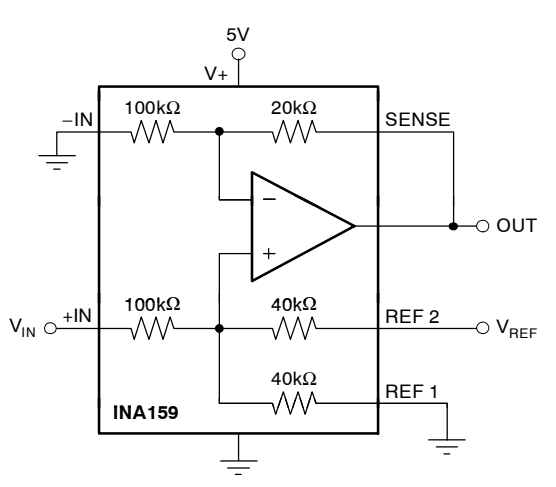
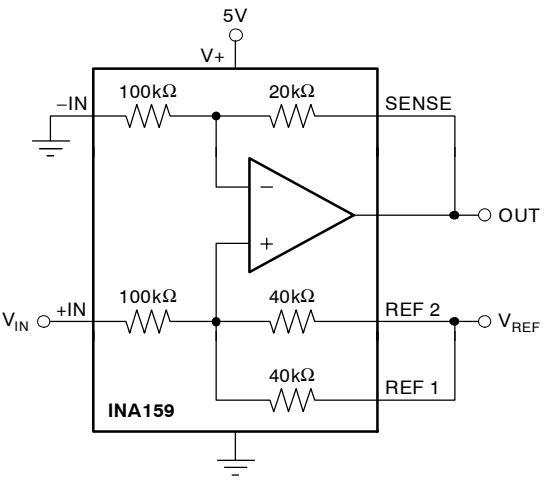


**Table 2. Input and Output Relationships for Various Reference and Connection Combinations**

V <sub>REF</sub> (V)	REF CONNECTION	V <sub>OUT</sub> for V <sub>IN</sub> = 0 (V)	LINEAR V <sub>IN</sub> RANGE (V)	USEFUL V <sub>OUT</sub> SWING (V)
5		2.5	+10 0 -10	4.5 (±2V swing) 0.5
4.096		2.048	+10 0 -10	4.048 (±2V swing) 0.048
3.3		1.65	+10 0 -7.885	3.65 (-1.577V, +2V swing) 0.048
2.5		1.25	+10 (also +5) 0 -6 (also -5)	3.25 (-1.2V, +2V swing) 0.048
1.8		0.9	+10 0 -4.26	2.9 (-0.852V, +2V swing) 0.048
2.5		2.5	+10 0 -10	4.5 (±2V swing) 0.5
1.8		1.8	+10 0 -8.76	3.8 (-1.752V, +2V swing) 0.048
1.2		1.2	+10 0 -5.76	3.2 (-1.15V, +2V swing) 0.048