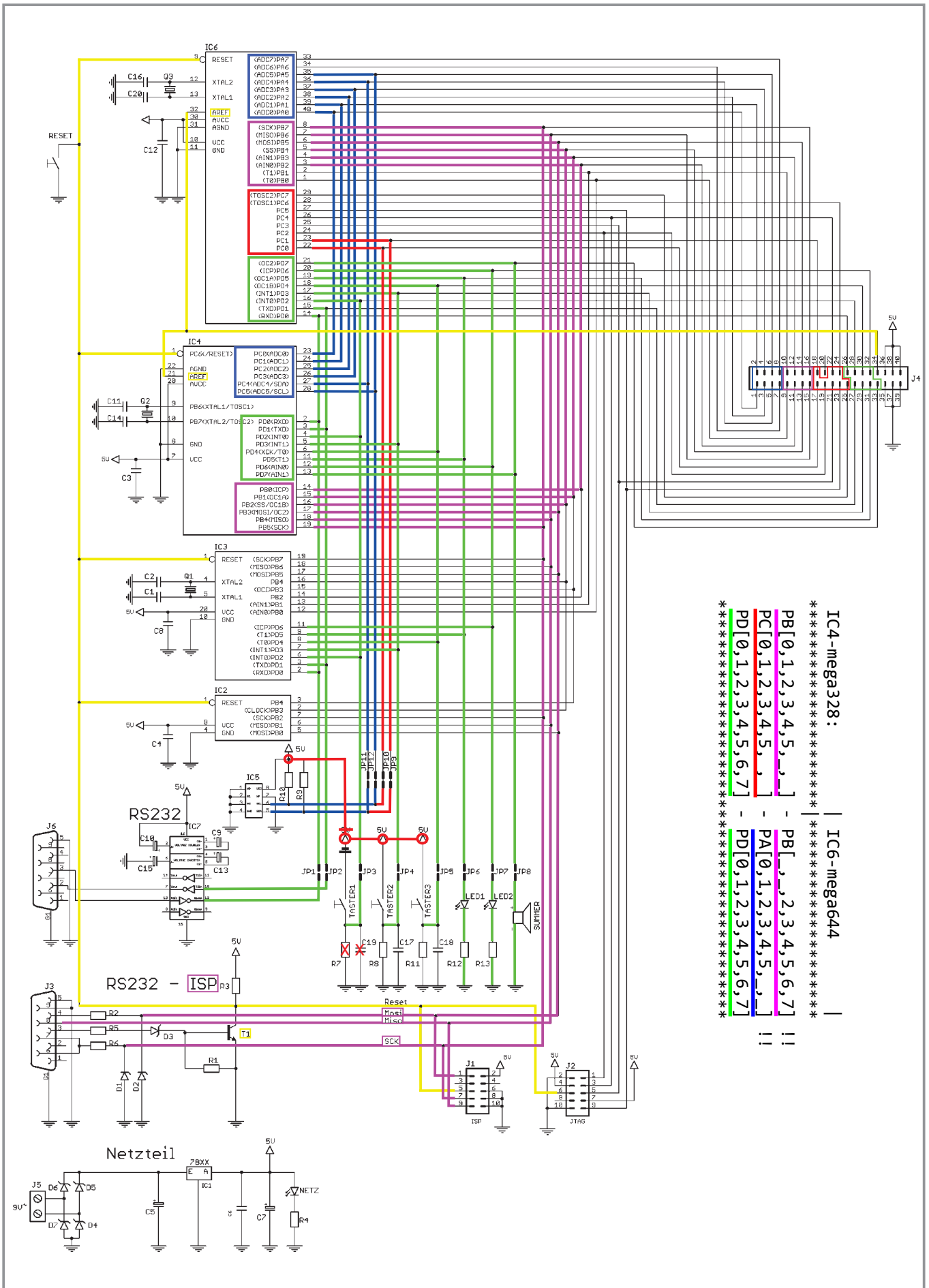


Schaltplan für das Atmel-Evaluations-Board



```

IC4-mega328: | IC6-mega644
*****
PB[0,1,2,3,4,5,-,-] - PB[-,2,3,4,5,6,7] !!
PC[0,1,2,3,4,5,-,-] - PC[-,1,2,3,4,5,6,7] !!
PD[0,1,2,3,4,5,6,7] - PD[0,1,2,3,4,5,6,7]
*****
    
```