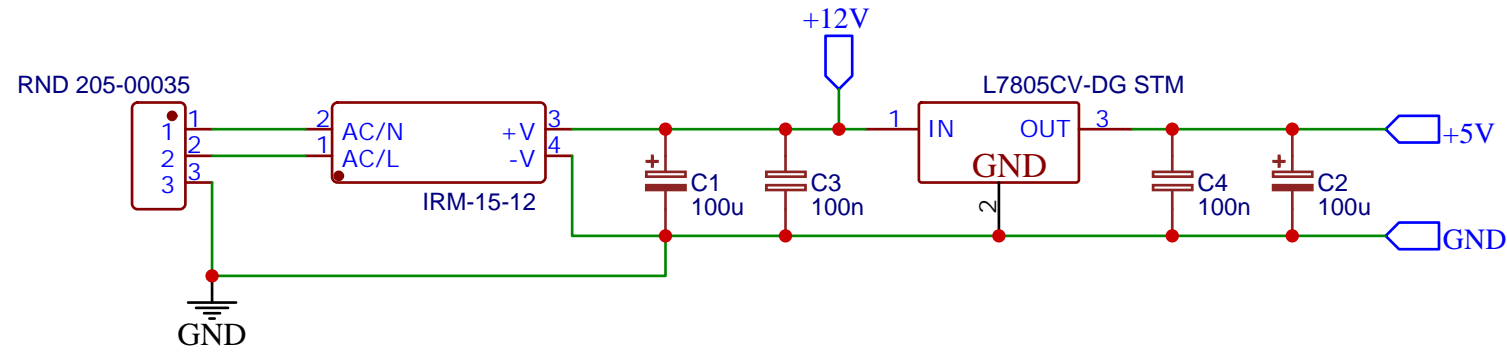
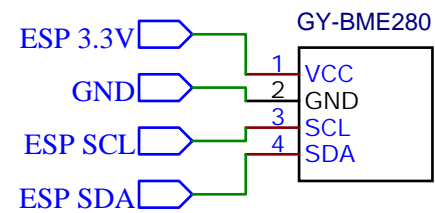


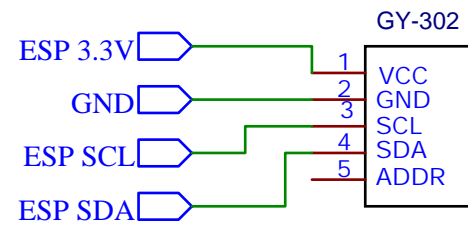
Power Supply 230V AC to 12V / 5V DC



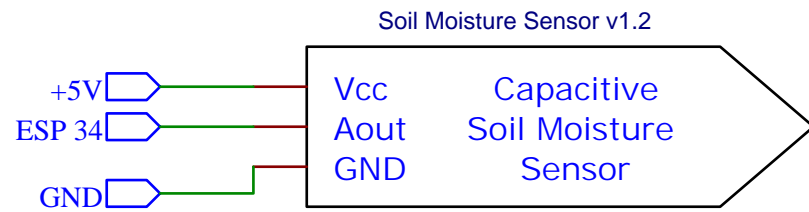
Temperature Sensor



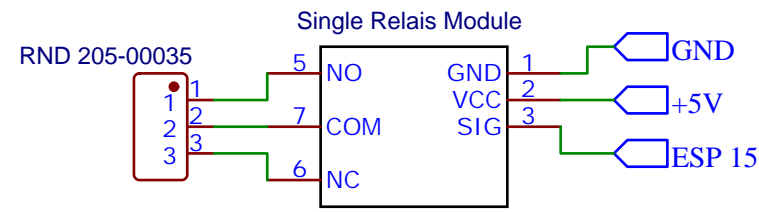
Brightness Sensor



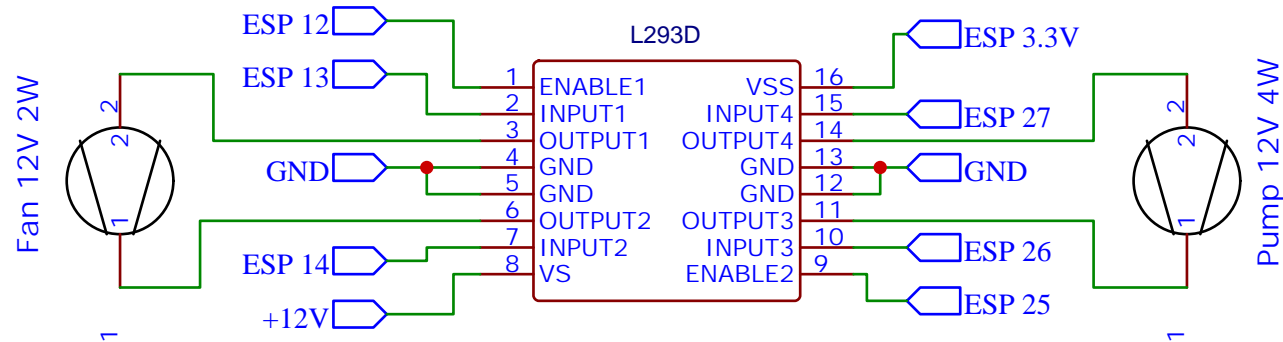
Moisture Sensor



Relais 230V

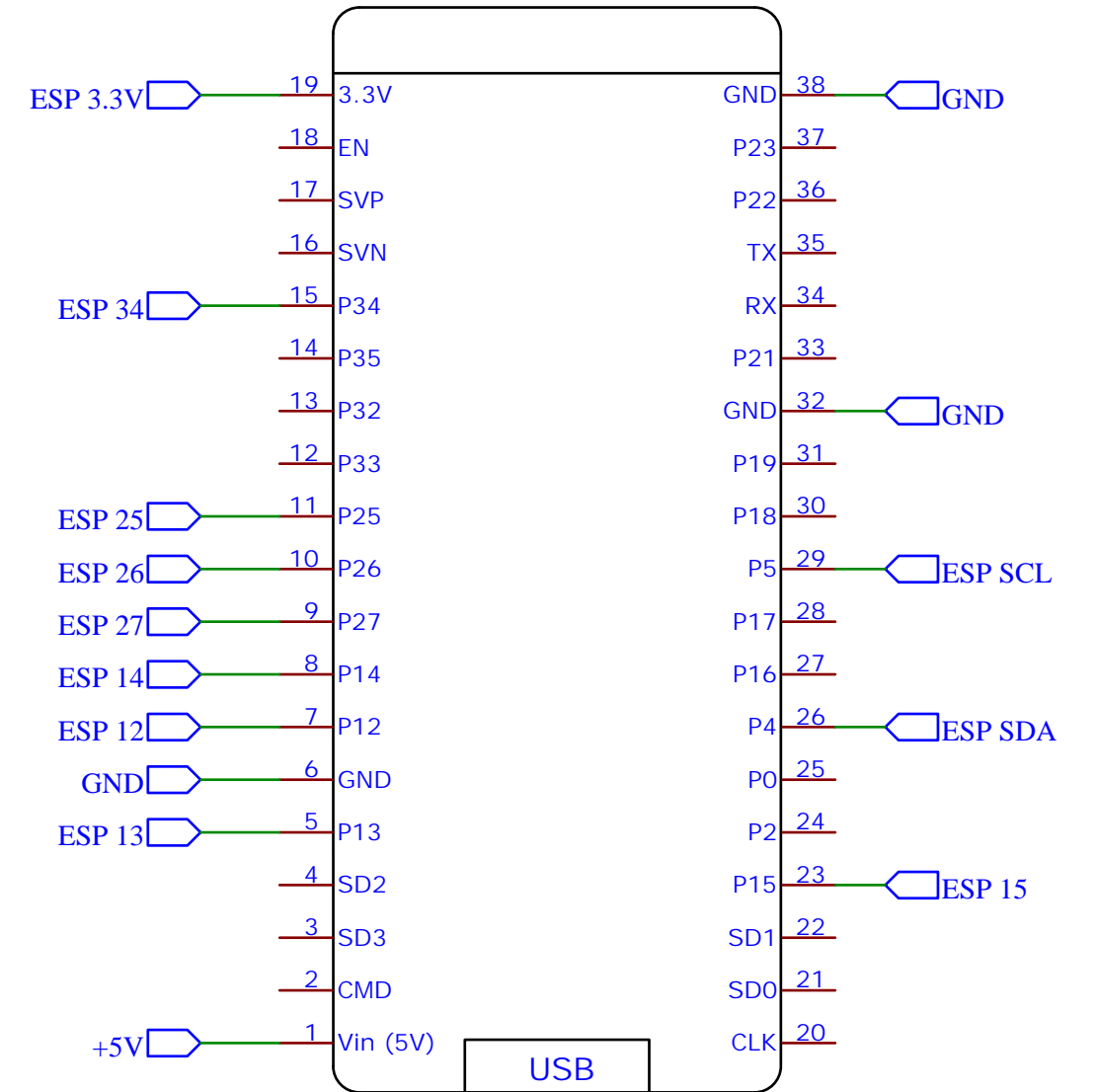


Motor Driver



Mikrocontroller

ESP 32 - NodeMCU



TITLE: Smart Greenhouse		REV: 1.0
EasyEDA	Company:	Sheet: 1/1
	Date: 2020-04-09	Drawn By: MU