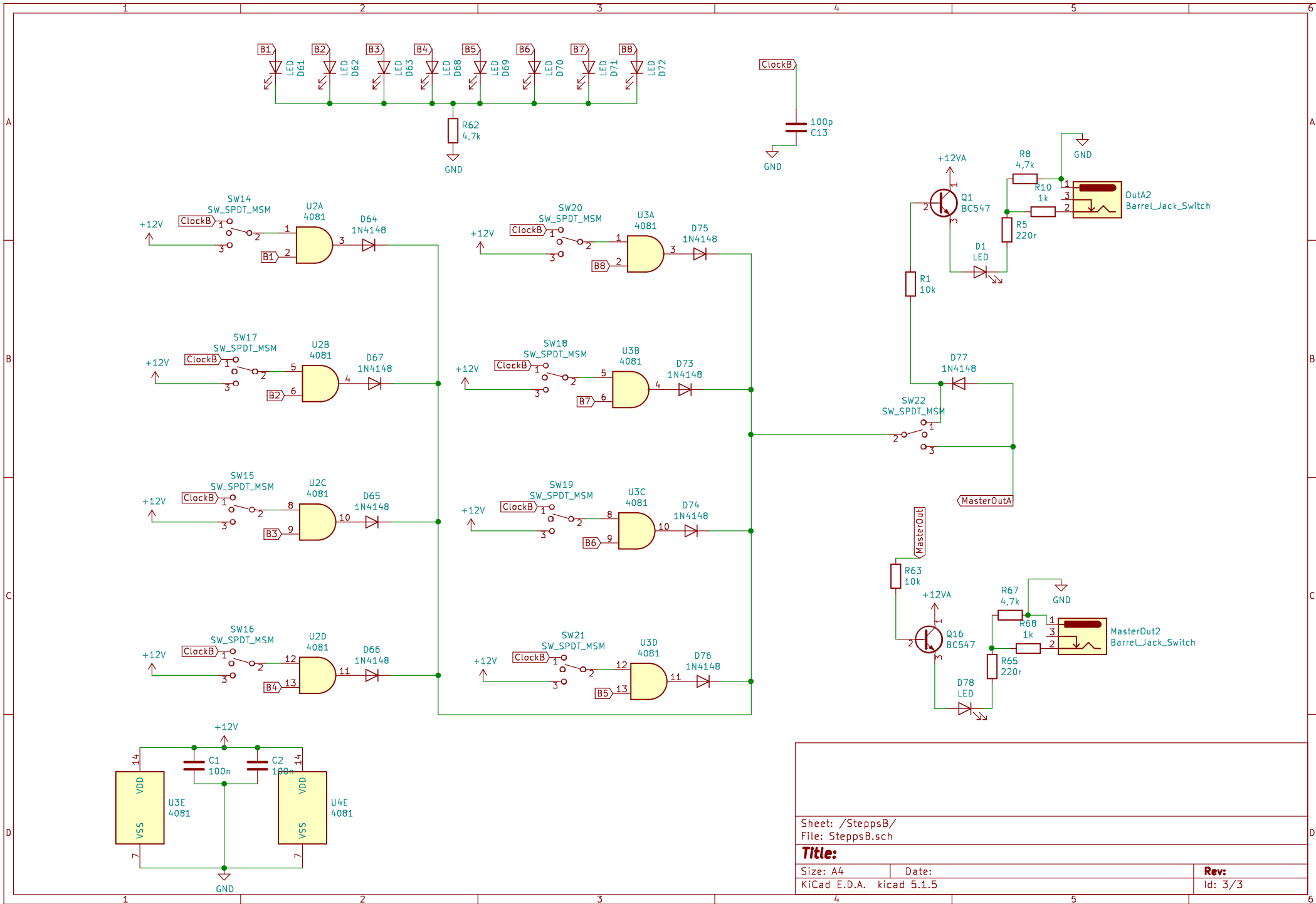


Sheet: /Clockteiler/
 File: Clockteiler.sch

Title:

Size: A4 Date:
 KiCad E.D.A. kicad 5.1.5

Rev:
 Id: 2/3



Sheet: /SteppsB/
File: SteppsB.sch
Title:
Size: A4 Date:
KiCad E.D.A. kicad 5.1.5 **Rev:**
Id: 3/3