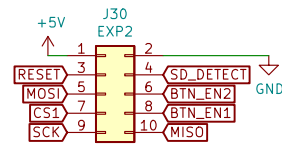
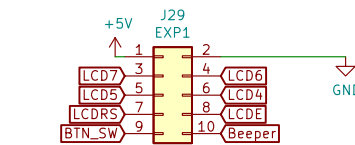
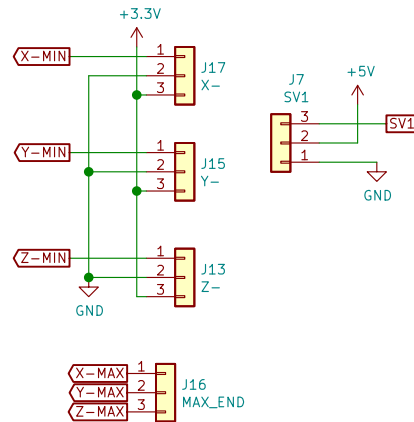


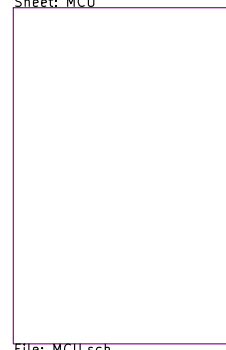
Sheet: Stepper_Driver



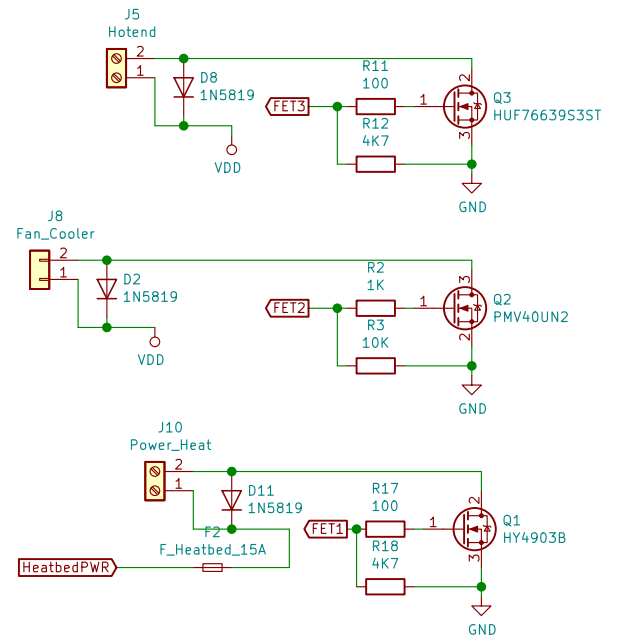
File: second_p.sch



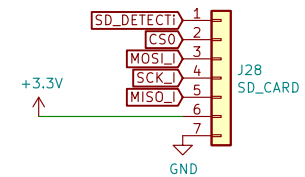
Sheet: MCU



File: MCU.sch



- H1 MountingHole
- H2 MountingHole
- H3 MountingHole
- H4 MountingHole

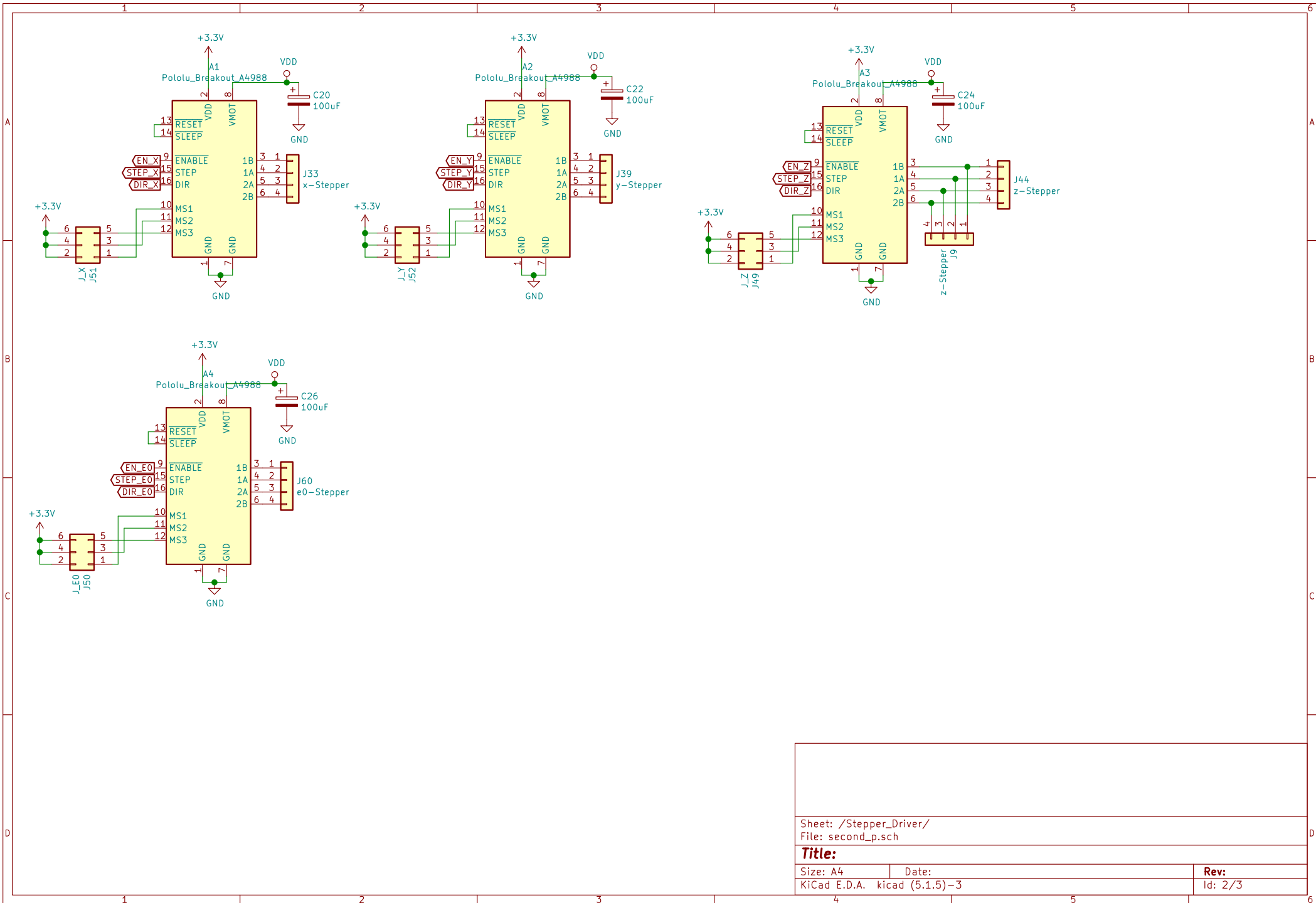


Sheet: /
File: controller.sch

Title:

Size: A4 Date:
KiCad E.D.A. kicad (5.1.5)-3

Rev:
Id: 1/3



Sheet: /Stepper_Driver/
 File: second_p.sch

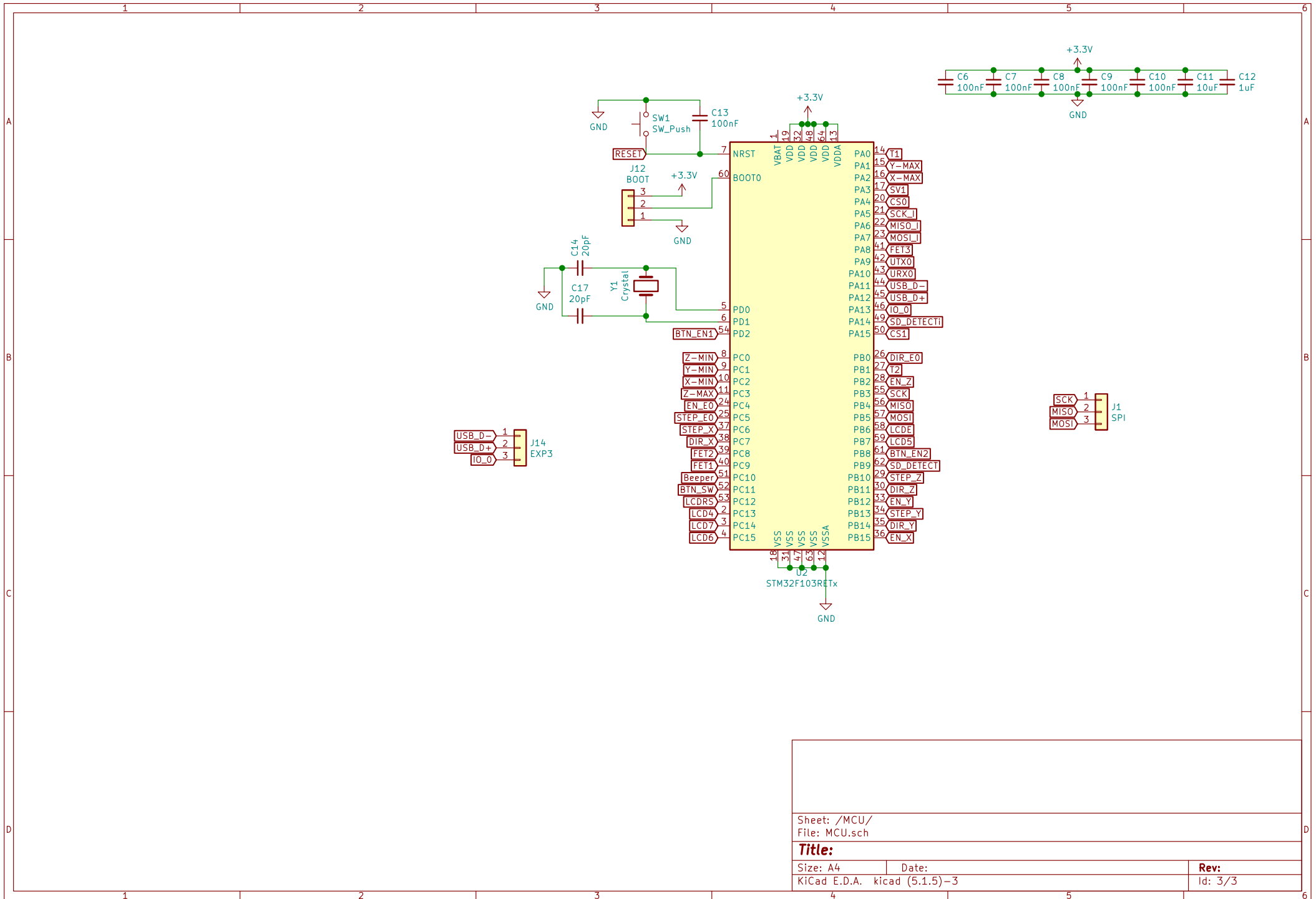
Title:

Size: A4
 KiCad E.D.A. kicad (5.1.5)-3

Date:

Rev:

Id: 2/3



| | |
|------------------------------|--------------|
| Sheet: /MCU/ | |
| File: MCU.sch | |
| Title: | |
| Size: A4 | Date: |
| KiCad E.D.A. kicad (5.1.5)-3 | Rev: Id: 3/3 |