

SLM-16-835

AO Deflector / Scophony Modulator



0103

OPERATING PARAMETERS

Large aperture AO device for NIR applications including Scophony modulation and Signal Processing.

Operating Wavelength:	830-835 nm
Polarization:	Any
Center Frequency:	125MHz
3dB Bandwidth:	70MHz
$\tau\Delta f$:	300
Active Aperture:	0.7mmH x 16mmL
Time Aperture:	4.4 μ s
Interaction Medium:	PbMoO ₄
Acoustic Velocity:	3.63mm/ μ s
Optical Surface Flatness:	$\lambda/10$ or better
Input Impedance:	50 Ω
Input VSWR:	$\leq 2.5:1$ across RF Bandwidth
Optical Reflectivity:	$\leq 0.5\%$ /Surface
RF Power for Saturation:	3.0 W nominal
Diffraction Efficiency at 125MHz:	>80%, 3.0W RF power >60%, 1.5W RF power
Bragg Angle at 125MHz:	14.38 mrad
Separation Angle at 125MHz:	28.75 mrad

DRIVERS

523C-3-125 Fixed centre frequency, >2,5W, DIGITAL modulation
 533C-3-125 Fixed centre frequency, >2,5W, ANALOG modulation

620C-120 Variable frequency, >1,5W, DIGITAL modulation
 630C-120 Variable frequency, >1,5W, ANALOG modulation

ALL SPECIFICATIONS SUBJECT TO CHANGE WITHOUT NOTICE

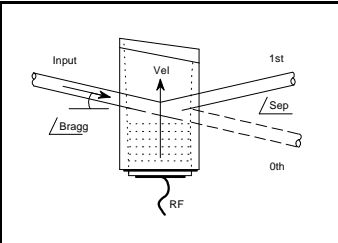
ISOMET CORP, 5263 Port Royal Rd, Springfield, VA 22151, USA.

Tel: (703) 321 8301 Fax: (703) 321 8546

E-mail: ISOMET@ISOMET.COM Web Page: WWW.ISOMET.COM

Quality Assured.

In-house: Crystal Growth,
 Optical Polishing,
 A/R coating, Vacuum Bonding



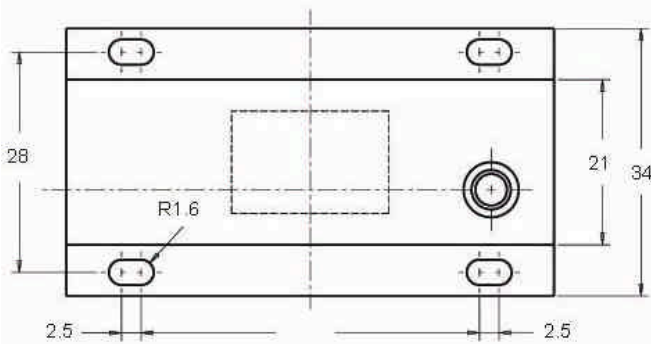
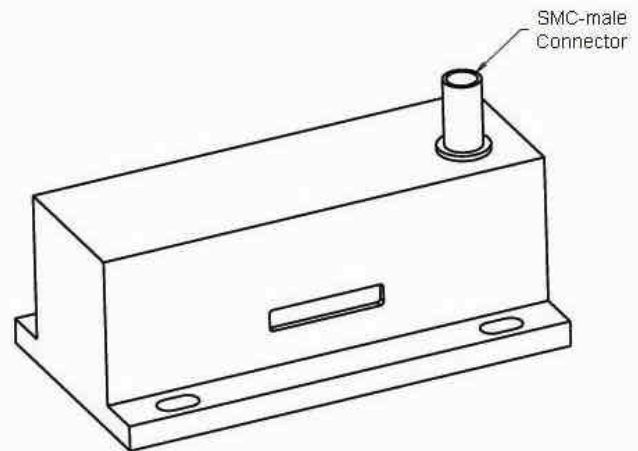
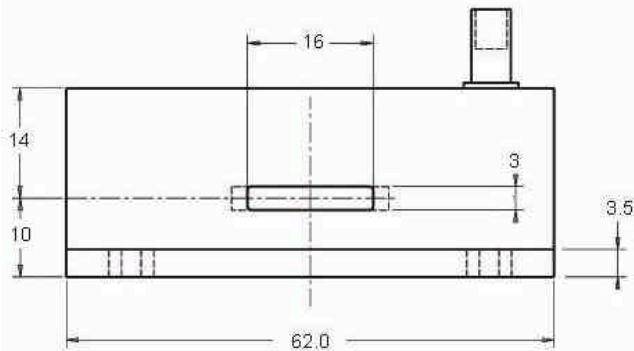
SLM-16-835

AO Deflector / Scophony Modulator



0103

OUTLINE DRAWING



Dimensions: mm

Mount on heat conducting surface

ALL SPECIFICATIONS SUBJECT TO CHANGE WITHOUT NOTICE

ISOMET CORP, 5263 Port Royal Rd, Springfield, VA 22151, USA.

Tel: (703) 321 8301 Fax: (703) 321 8546

E-mail: ISOMET@ISOMET.COM Web Page: WWW.ISOMET.COM

Quality Assured.

**In-house: Crystal Growth,
Optical Polishing,
A/R coating, Vacuum Bonding**