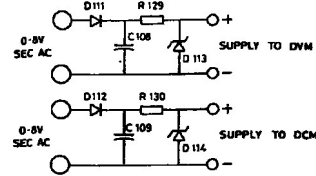
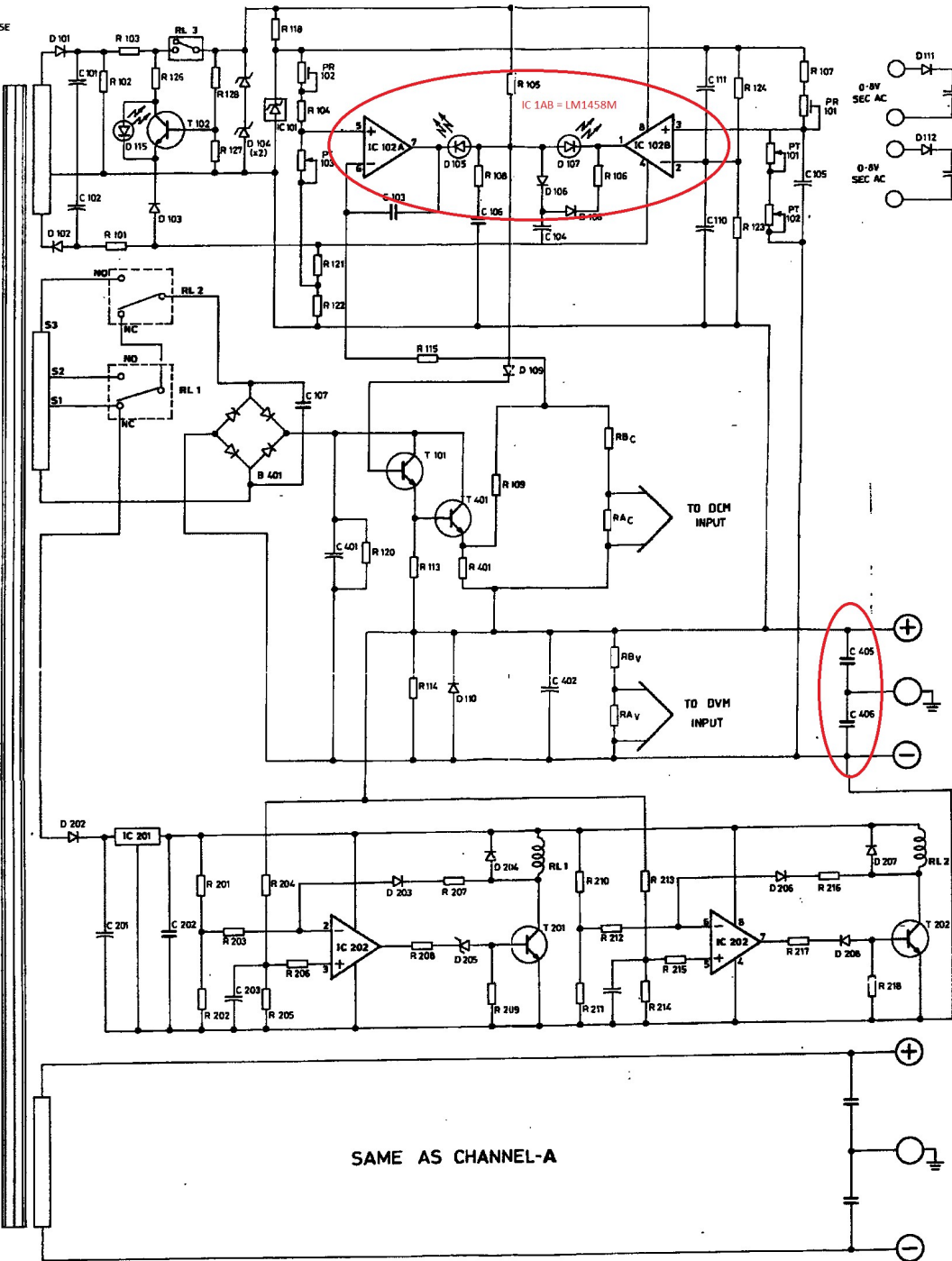


THERMAL FUSE SWITCH F1

230V / 50Hz

F2



OUTPUT A
0-40V
0-3A

OUTPUT B
0-40V
0-3A

R 101	220Ω, 1/2W	R 401	0.22Ω, 5W	D 201	—
R 102	4K7	R 402	—	D 202	—
R 103	390Ω, 1/2W	R 403	—	D 203	1N 4002
R 104	150M/180K/220K	R 404	—	D 204	—
R 105	145	R 405	—	D 205	6.2V FZ
R 106	3K3	—	—	D 206	1N 4002
R 107	470M/500M/980	—	—	D 207	—
R 108	33K	—	—	D 208	6.2V FZ
R 109	—	C 101	220 / 25V	—	—
R 110	—	C 102	1000μ/16V	B 401	LT 4A 03(4)
R 111	—	C 103	10 KPF	—	—
R 112	100Ω	C 104	100 / 35V	T 101	TIP 31A
R 113	1K2	C 105	1 / 63V	T 102	2.5C 2236
R 114	10K	C 106	10 KPF	—	—
R 115	330Ω (MPR)	C 107	0.22μF / 100V	—	—
R 116	—	C 110	—	T 201	2.5D 468C
R 117	—	C 111	220 / 35V	T 202	2.5D 468C
R 118	1K5 (MPR)	—	—	—	—
R 119	—	C 201	470μF / 35V	T 401	2N 3773
R 120	8K2 1W	C 202	100 KPF	—	—
R 121	33K (MPR)	C 203	10 / 16V	IC 101	LM 336 (2.5V)
R 122	220Ω (MPR)	C 204	10 / 16V	IC 102A	LM 1458
R 123	470Ω (MPR)	—	—	IC 102B	—
R 124	6K8 (MPR)	—	—	—	—
R 125	—	—	—	IC 201	7812
R 126	10K	C 401	3300μ / 80V	IC 202	LM 1458
R 127	4K7	C 402	100 / 50V	—	—
R 128	4K7	C 403	10 KPF	RL 1	12V RELAY
—	—	C 404	—	RL 2	—
—	—	—	—	RL 3	THERMAL RELAY
R 201	4K7	—	—	F 1	3.5 AMPS
R 202	3K3	D 101	1N 4002	F 2	3.0 AMPS
R 203	10K	D 102	—	—	FAST BLOW
R 204	56K	D 103	6.2V FZ	—	—
R 205	33K	D 104	12V FZ	—	—
R 206	10K	D 105	LED (RED)	—	DPM PCB
R 207	100K	D 106	1N 4148	R 126	100Ω, 1/4W
R 208	3K3	D 108	LED (GREEN)	R 127	—
R 209	10K	D 108	1N 4002	C 108	100 / 16V
R 210	4M5	D 108	—	C 109	—
R 211	3K3	D 110	LT 4A 03	D 111	1N 4002
R 212	10K	D 111	—	D 112	—
R 213	47K	D 112	—	D 113	9.1VZ
R 214	10K	D 115	—	D 114	—
R 215	10K	D 114	—	RB C	33K
R 216	100K	D 115	LED (RED)	RA C	1K5
R 217	3K3	—	—	RB V	100K
R 218	10K	—	—	RB V	100Ω

NOTE :-

ALL RESISTORS ARE 1/4W OHMS AND CAPACITORS IN MICROFARADS UNLESS SPECIFIED OTHERWISE.
ALL COMPONENTS OF CHANNEL B IS SAME AS CHANNEL A %S LISTED.
PR 101 - VOLTAGE ADJUST PRESET - 220Ω (CERACAR)
PR 102 - CURRENT ADJUST PRESET - 20K
PT 101 - VOLTAGE ADJUST POT - 10K (COARSE)
PT 102 - VOLTAGE ADJUST POT - 1K (FINE)
PT 103 - CURRENT ADJUST POT - 100K

SCHEMATIC CIRCUIT DIAGRAM OF MODEL PS 2403

SONODYN INTL LIMITED., SEEPZ, BOMBAY		DATE: 9-2-96		
MODEL : PS-2403		DRG. NO: SIL/16/0031		
DRN BY:	CHK. BY:	APPD. BY:	REV. DATE	REV
ALTAF				