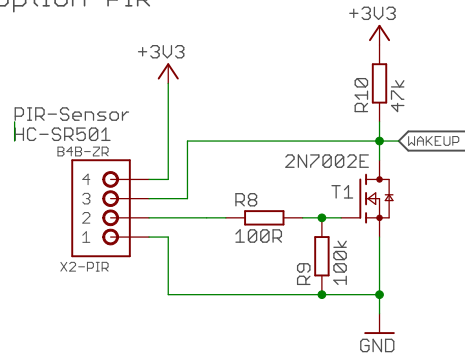
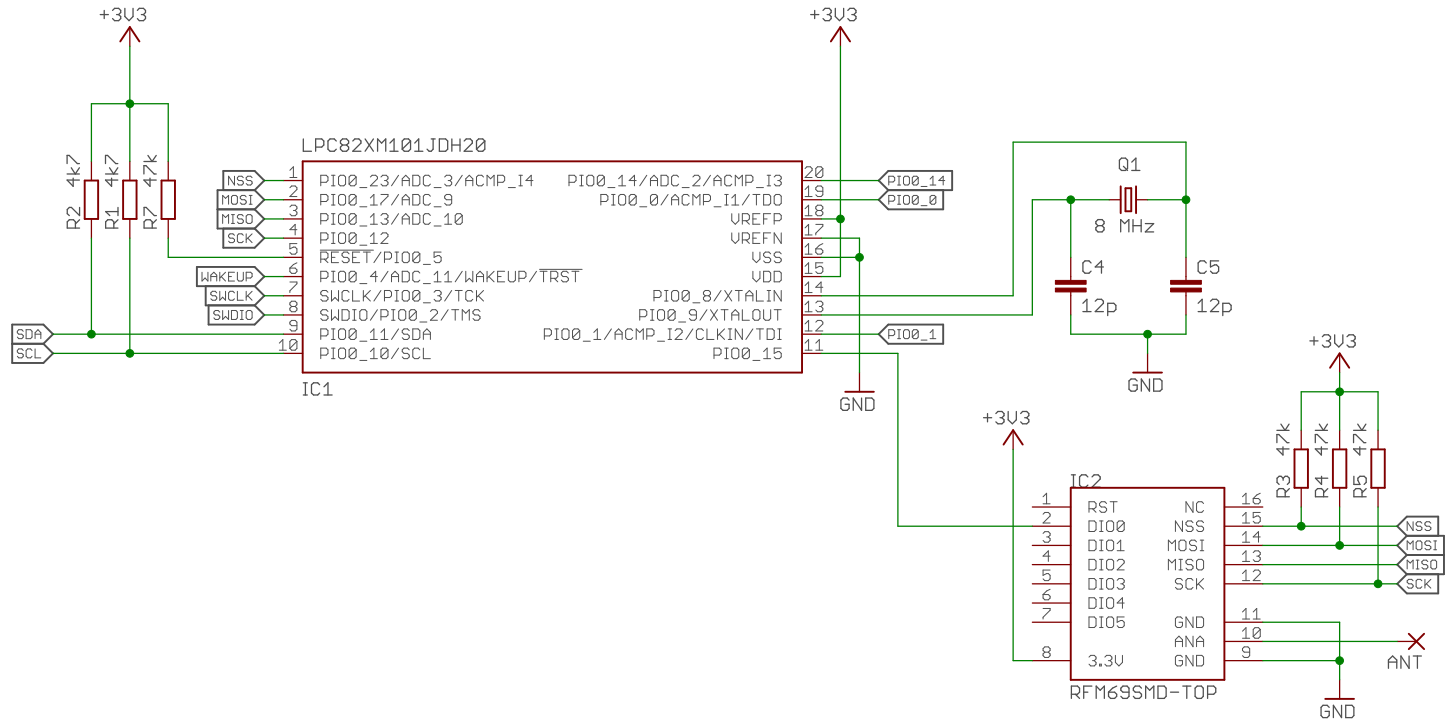
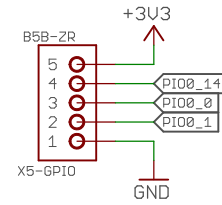
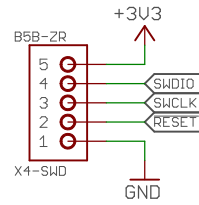
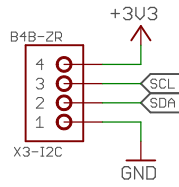
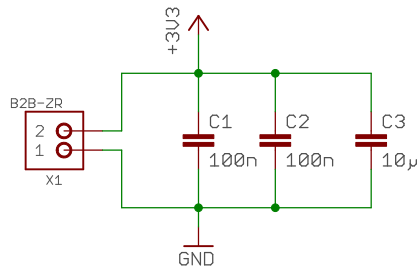
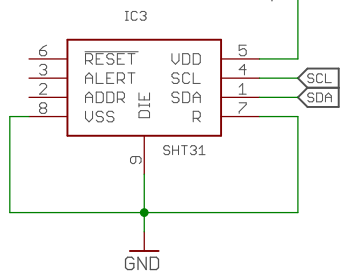


Option PIR



Option Temp/Hum



TITLE: RFM69-LPC824Node-U2

Document Number:

REV:

Date: 31.07.2018 01:02

Sheet: 1/1