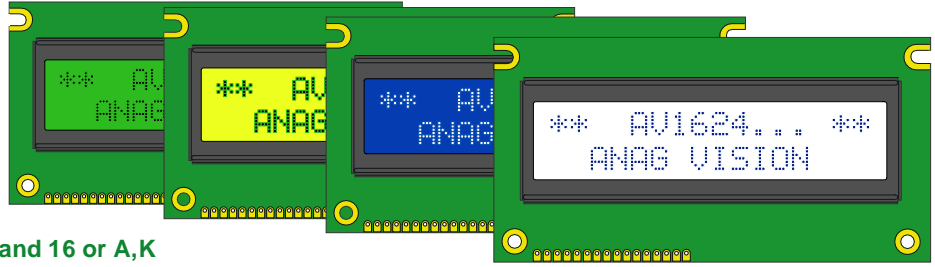


16x2 Character

- 5x7 dots with cursor
- 1/16 duty
- +5V single supply
- Built in Controller (KS0066 or Equivalent)
- B/L driven by pin1 and 2, 15 and 16 or A,K



Pin Assignment

No.	Symbol	Function
1	V _{SS}	Gnd, 0V
2	V _{DD}	+5V
3	V ₀	LCD Drive
4	RS	Function Select
5	R/W	Read/Write
6	E	Enable Signal
7-14	DB0-DB7	Data Bus Line
15	A*	4.2V for LED
16	K	Power Supply for LED 0V

Absolute Maximum Rating

Item	Symbol	Standard Value			Unit
		min.	typ.	max.	
V-Module	V _{DD} -V _{SS}	-0.3	---	7.0	V
V-Input	V _I	-0.3	---	V _{DD}	V

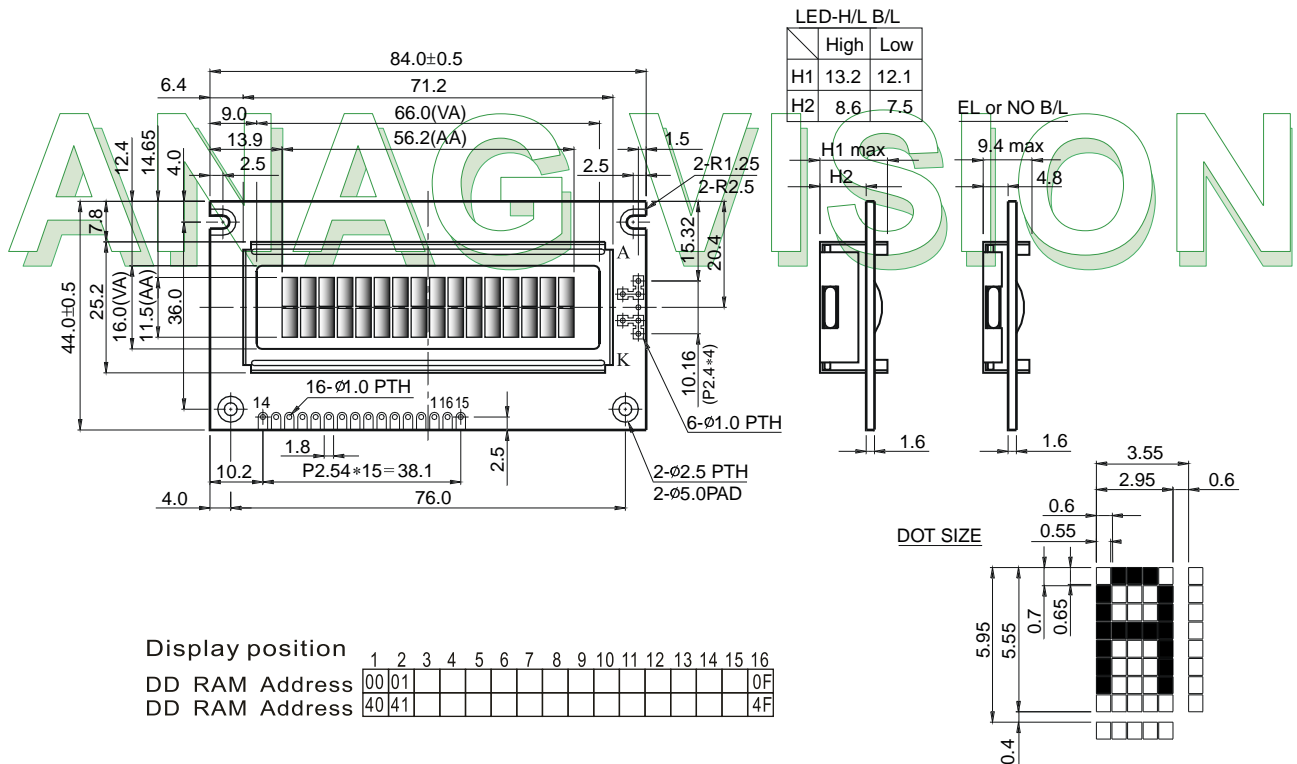
V_{SS}=0V, V_{DD}=5.0V

Electronical Characteristics

Item	Symbol	Condit.	Standard Value			Unit
			min.	typ.	max.	
Input Voltage	V _{DD}	V _{DD} =+5V	4.7	5.0	5.3	V
Supply Current	I _{DD}	V _{DD} =+5V	---	1.2	1.5	mA
Recommended LC Driving Voltage for Standard Temp. Modules	V _{DD} -V ₀	0 °C	---	---	4.2	V
		25 °C	---	3.8	---	
		50 °C	3.5	---	---	
LED Forward Voltage	V _f	25 °C	---	4.2	4.6	V
LED Forward Current	I _f	25 °C	---	130	195	mA
LED weiß Voltage *	I _{LED}	3.5 V	30	40	50	mA

Mechanical Data

Item	Standard Value	Unit
Module Size	84.0 x 44.0	mm
Viewing Area	66.0 x 16.0	mm
Dot Size	0.55 x 0.55	mm
Character Size	2.95 x 5.55	mm



This data sheet is for reference only.

The color of the display may vary slightly depending on different production lots and ambient light. We reserve the right to changes and improvements without prior notice.

Verfügbar STN:

gelb-grün
reflectiv positiv

gelb-grün LED
positiv LED gelb

blau negativ
LED weiß

grau positiv
LED weiß

CONRAD Best.-Nr:

183342

184594

181651

181664