

ACST-200

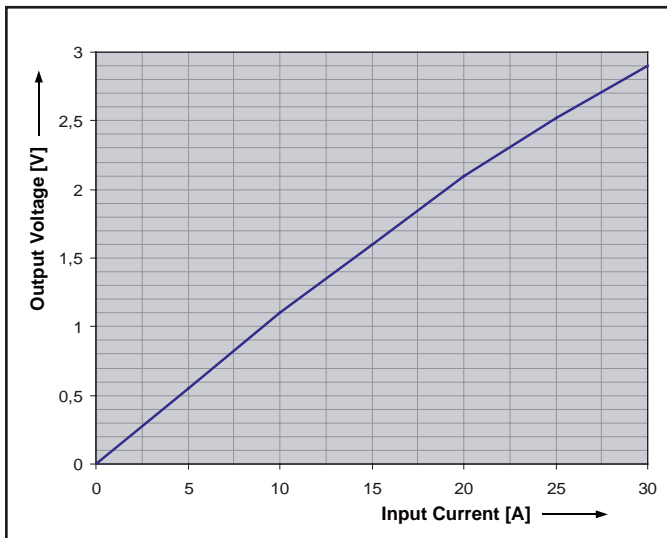
CURRENT SENSE TRANSFORMER

FEATURES

- Dielectric Strength 3000 Vrms (4 kV version upon request)
- Split bobbin for 5.5 mm creepage and clearance (8 mm version upon request)
- Low profile (less than 16 mm height)
- Epoxy sealed version available
- UL approved Class B insulation system



OUTPUT VOLTAGE



Example for ACST-260-1

GENERAL DATA

Dielectric Strength (at sea level for 1 min.)	3000 Vrms between primary and secondary
Ambient Temperature	-40°C (-40°F) to 70°C (158°F)
Operating Storage	-40°C (-40°F) to 105°C (221°F)
Vibration	0.062" (1.5 mm) DA at 10–55 Hz
Shock	10 g
Bobbin	Nylon 66
Terminals	Tinned copper alloy, P.C.
Max. Solder Temp.	270°C (518°F)
Max. Solder Time	5 seconds
Weight	13 grams
Packing unit in pcs	48 per plastic tray / 576 per carton box

NOTES

1. All values at 20°C (68°F).
2. Specifications subject to change without notice.

ZETTLER electronics GmbH

Junkersstrasse 3, D-82178 Puchheim, Germany

Tel. +49 89 800 97 0
Fax +49 89 800 97 200

office@ZETTLERelectronics.com
www.ZETTLERelectronics.com

2007-03-12

ACST-200

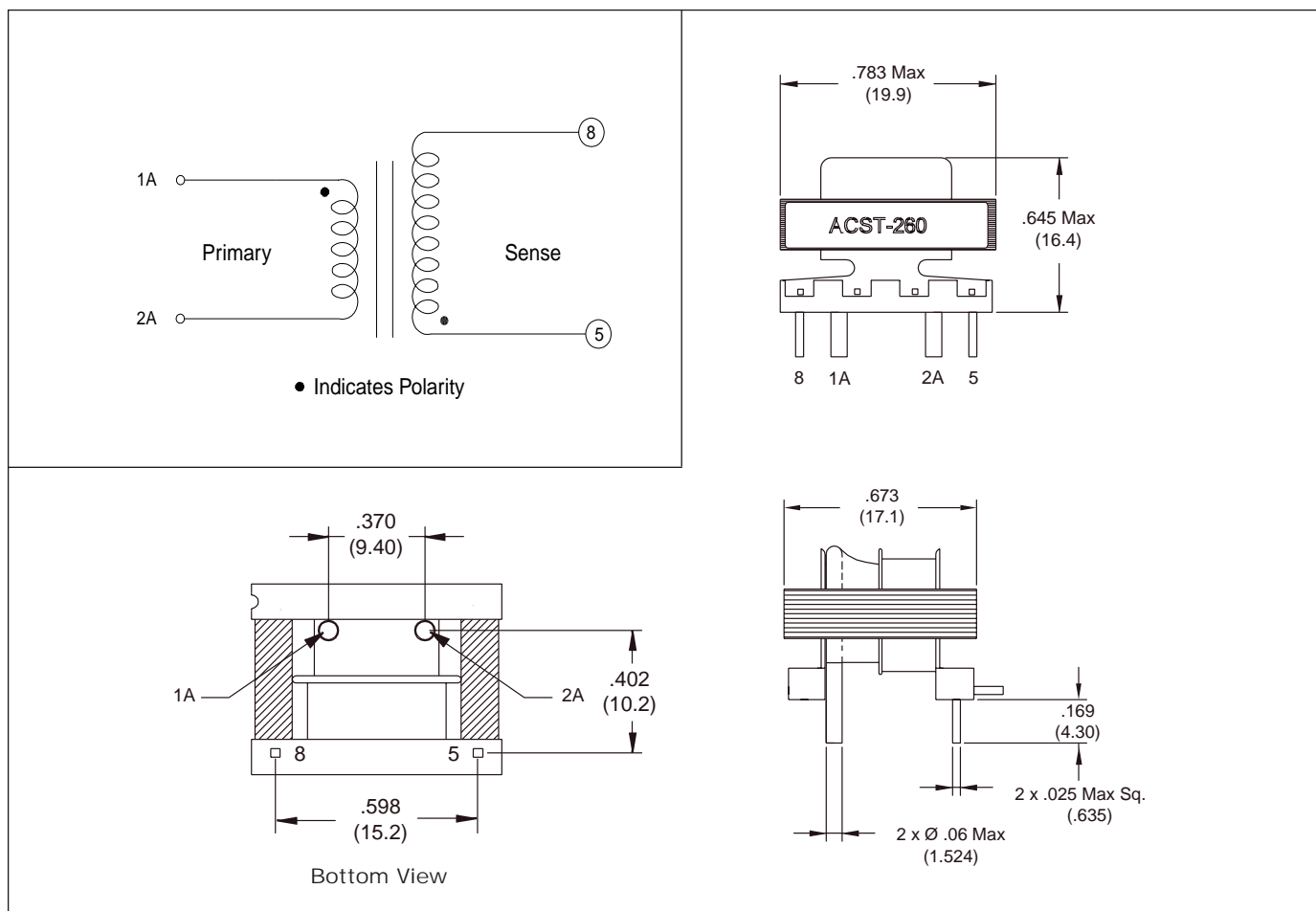
ORDERING DATA

ELECTRICAL DATA							
Part Number	Turns Ratio	Current Range	Typical Output (mV / A)	Primary Resistance (μ Ohms)	Sense Resistance (Ohms)	Secondary Inductance (H)	Primary Sense Frequency (Hz)
ACST-255-1	1:50	1-30A	32	530	0.198	0.008	50-200
ACST-256-1	1:100	1-30A	64	530	0.785	0.025	50-200
ACST-257-1	1:150	1-30A	90	530	1.7	0.06	50-200
ACST-258-1	1:200	1-30A	120	530	3.2	0.12	50-200
ACST-259-1	1:300	1-30A	140	530	7.4	0.27	50-200
ACST-260-1	1:500	1-30A	110	530	20	0.72	50-200
ACST-261-1	1:1000	1-30A	60	530	79	2.4	50-200
ACST-260-5	1:1500	1-30A	45	530	220	5.2	50-200
ACST-260-8	1:1500	1-30A	45	530	220	5.2	50-200
ACST-261-8	1:500	1-30A	110	530	20	0.72	50-200

NOTES:

1. Typical Output test condition is: 10A @ 50Hz / 60Ohm load
2. Secondary Inductance test condition is: 100Hz / 1V
3. Suffix "-8" at the end of part number indicates 8 mm creepage and clearance.

MECHANICAL DATA



Dimensions in inches with metric equivalents in parentheses. Tolerance: ± 0.010 "

ZETTLER electronics GmbH

Junkersstrasse 3, D-82178 Puchheim, Germany

Tel. +49 89 800 97 0
Fax +49 89 800 97 200

office@ZETTLERelectronics.com
www.ZETTLERelectronics.com

2007-03-12