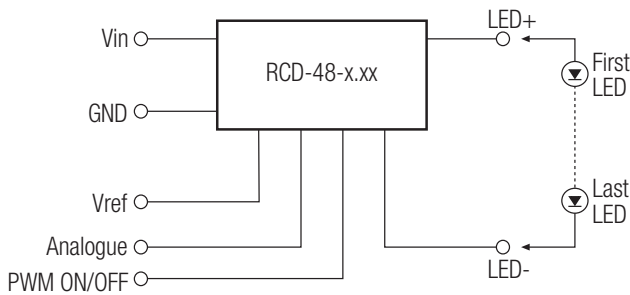
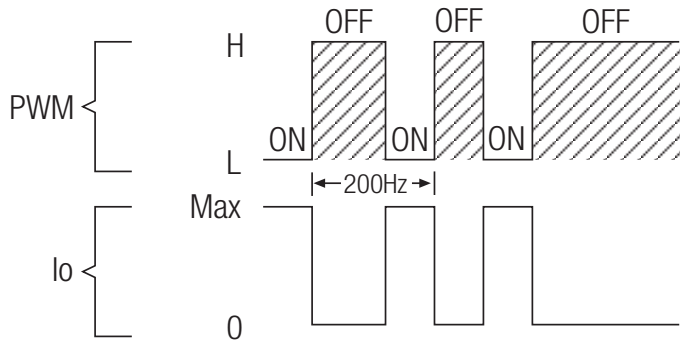


**Standard Application**

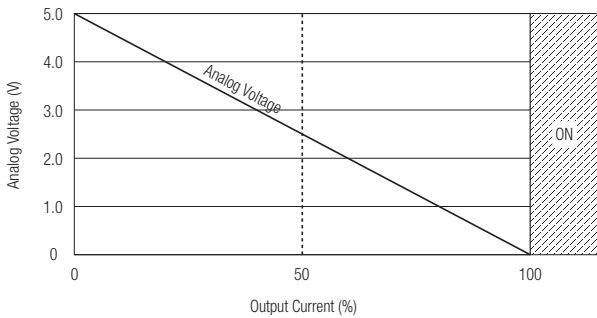
**Single String Application**



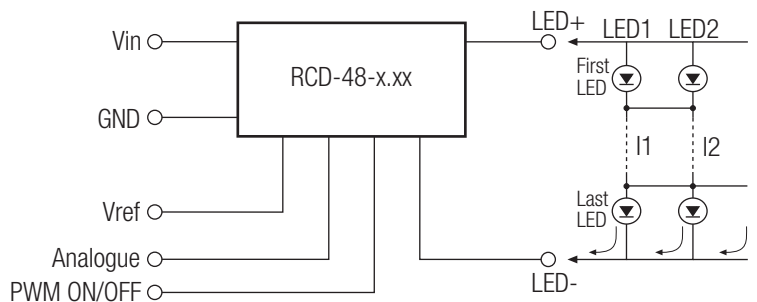
**PWM Dimming Controlled**



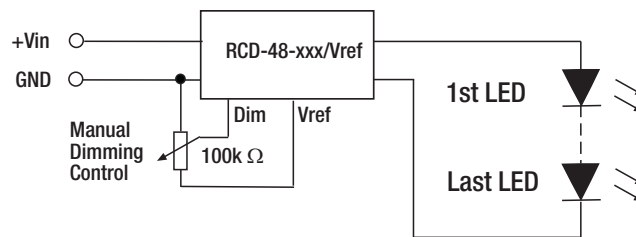
**Dimming Controlled by Analog Voltage**



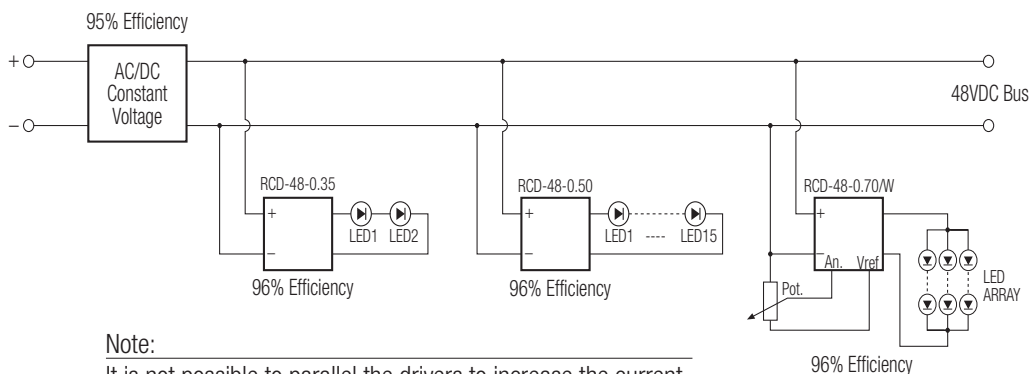
**Lighting/Backlighting Wall Application**



**LED DIMMER for up to 10 white LEDs**



**High Efficiency Lighting**



**Note:**  
It is not possible to parallel the drivers to increase the current.

The product information and specifications may be subject to changes even without prior written notice. The product has been designed for various applications; its suitability lies in the responsibility of each customer. The products are not authorized for use in safety-critical applications without RECOM's explicit written consent. A safety-critical application is an application where a failure may reasonably be expected to endanger or cause loss of life, inflict bodily harm or damage property. The applicant shall indemnify and hold harmless RECOM, its affiliated companies and its representatives against any damage claims in connection with the unauthorized use of RECOM products in such safety-critical applications.