

1

2

3

4

5

6

A

B

C

D

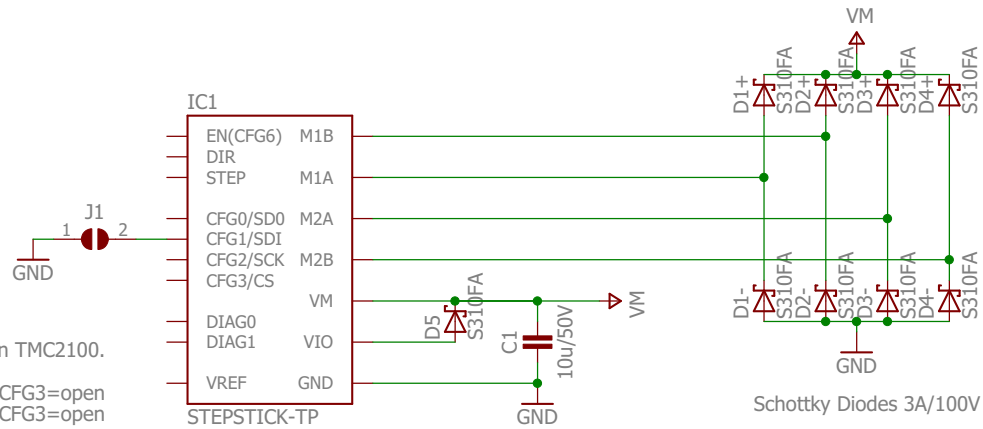
A

B

C

D

J1 enables spreadCycle on TMC2100.
 1/16 stealthChop: CFG1=open CFG2=open CFG3=open
 1/16 spreadCycle: CFG1=GND CFG2=open CFG3=open



1

2

3

4

5

6

