

TCXO, VC-TCXO

TCO-980, 987 Series

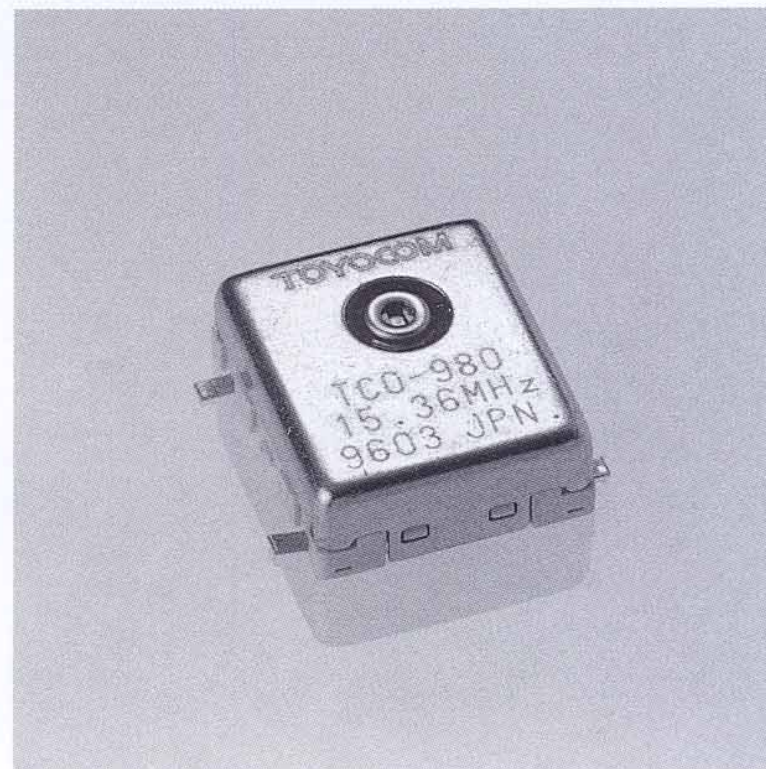
Features

- High-reliable miniaturized package (11.4 × 9.6 × 3.5mm height Max)
- Surface mountable
- Low SSB phase noise

Specifications

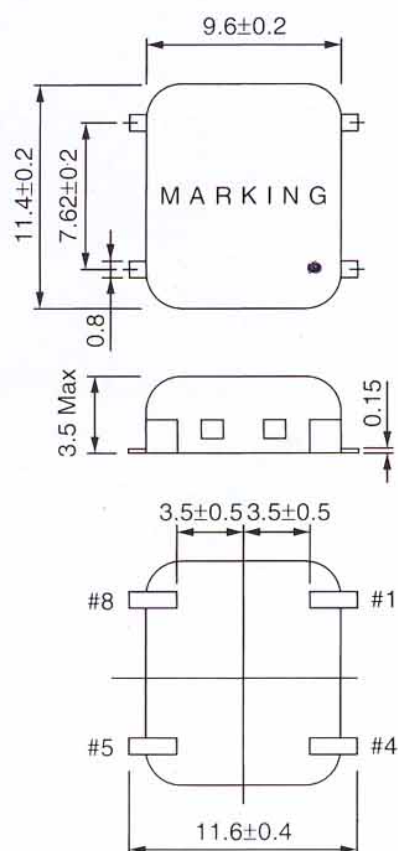
| Type | TCXO | | VC-TCXO | |
|-----------------------------|--|--------------------------|--------------|--------------|
| | TCO-980, 981 | TCO-982, 983 | TCO-986, 987 | TCO-986, 987 |
| Frequency | 12.8MHz, 13MHz, 14.4MHz, 15.36MHz, 16.8MHz, 19.44MHz, 19.68MHz | | | |
| Supply voltage | +3V±5% | | | |
| Current drain | 2mA Max | | | |
| Output level | 0.8Vp-p Min (Load:10kΩ // 10pF) | | | |
| Stability vs Temperature | ±2.5ppm Max / -30°C to +75°C (referred to +25°C) | | | |
| Stability vs Supply voltage | ±0.3ppm Max / +3V±5% | | | |
| Stability vs Load | ±0.2ppm Max / (10kΩ±1kΩ//10pF±1pF) | | | |
| Aging | ±1ppm Max / year | | | |
| Frequency tolerance | ±0.5ppm Max | ±2.5ppm Max | ±0.5ppm Max | |
| Frequency control range | Nothing | ±5.0ppm Min / +1.5V±1.0V | | |

Note : TCO-982, 983 Type (without trimmer capacitors)



Outline Drawing [mm]

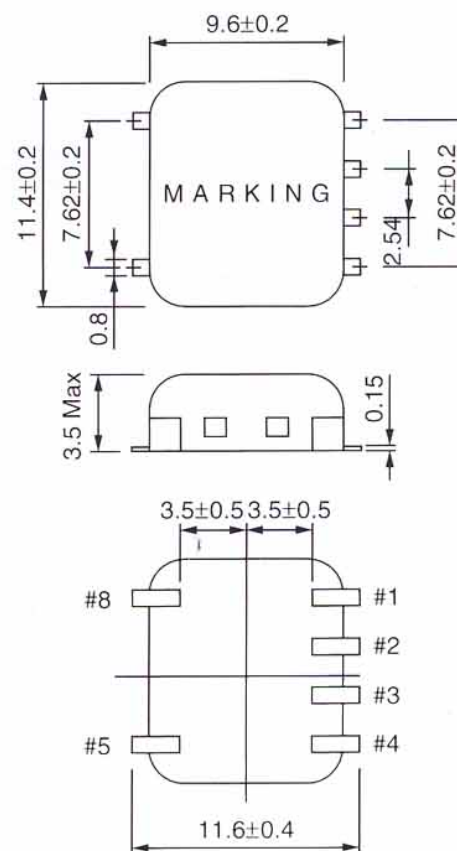
[TCO-980, 982, 986]



Pin connections

| | |
|---|-------------|
| 1 | Output |
| 4 | Vcc |
| 5 | Vcont or NC |
| 8 | GND |

[TCO-981, 983, 987]



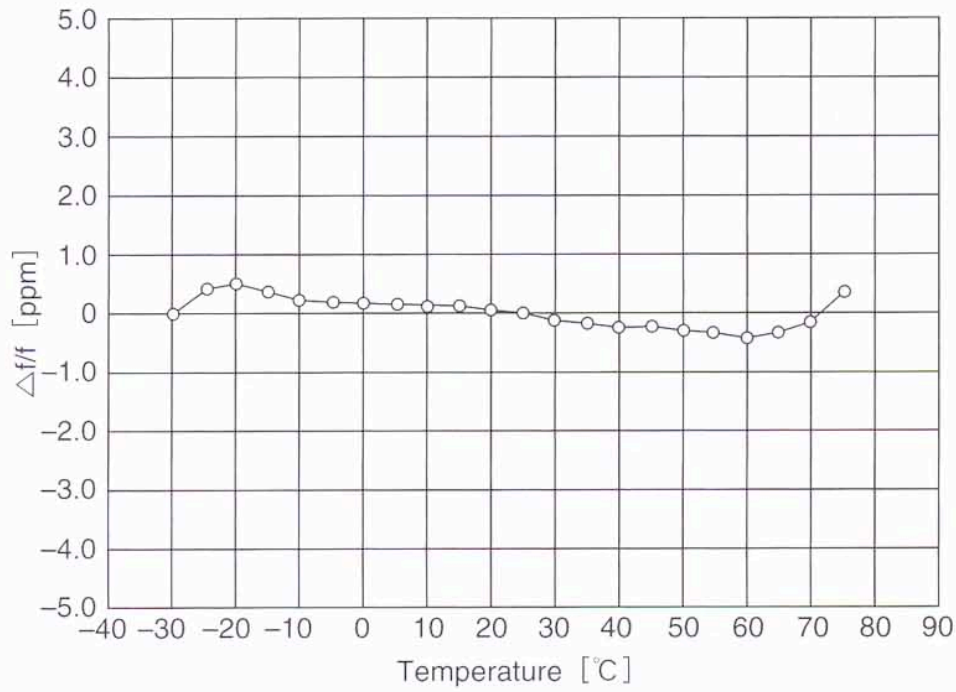
Pin connections

| | |
|---------|-------------|
| 1 | Output |
| 2, 5, 8 | GND/case |
| 5 | Vcont or NC |
| 8 | Vcc |

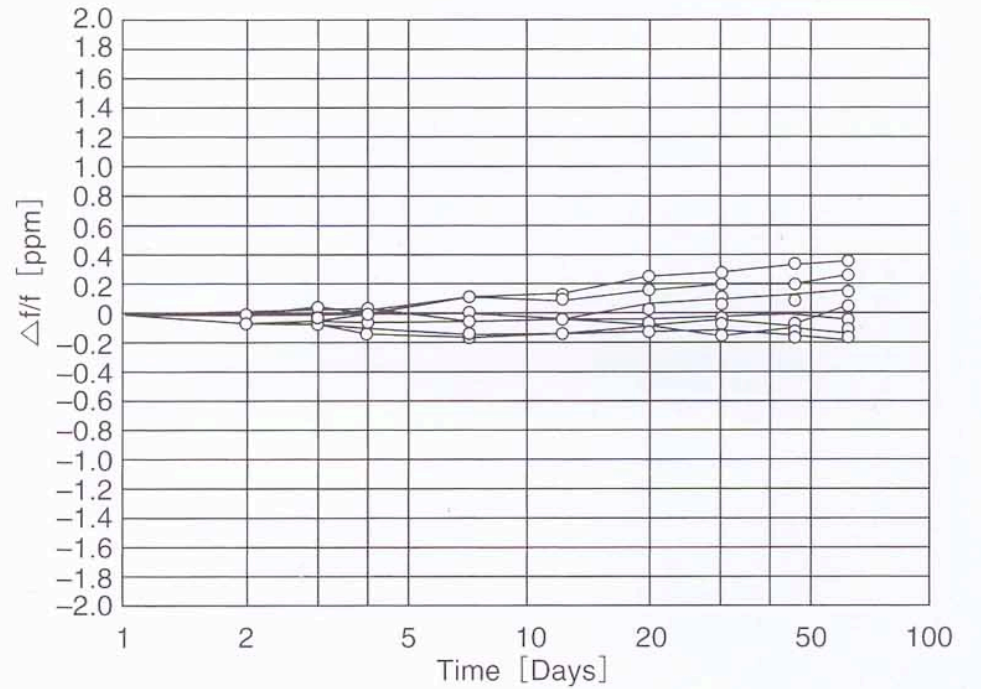
Electrical Data

TCO-987

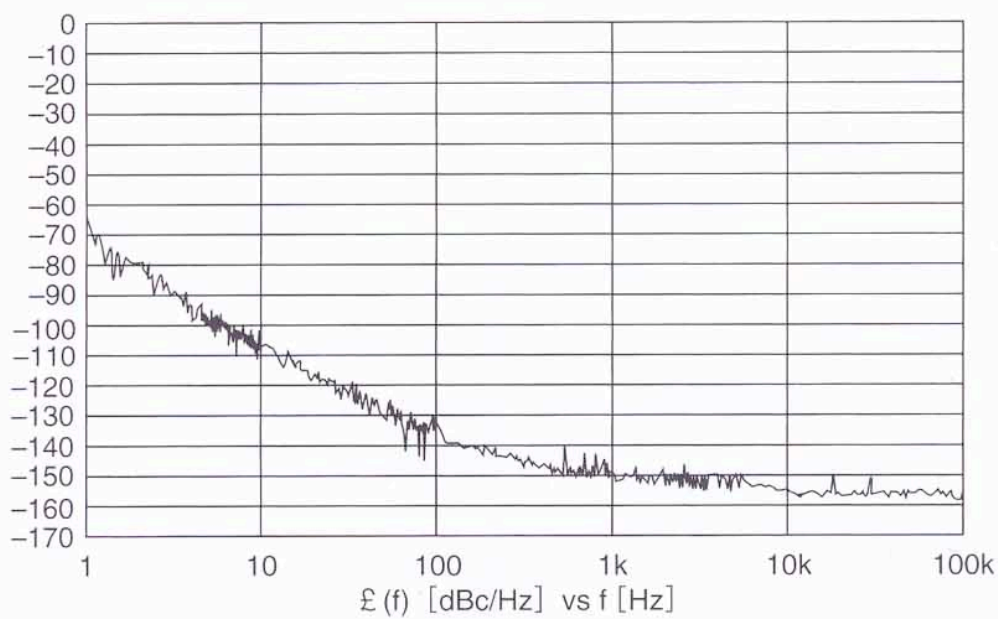
Frequency stability vs. temperature
TCO-987 12.8MHz



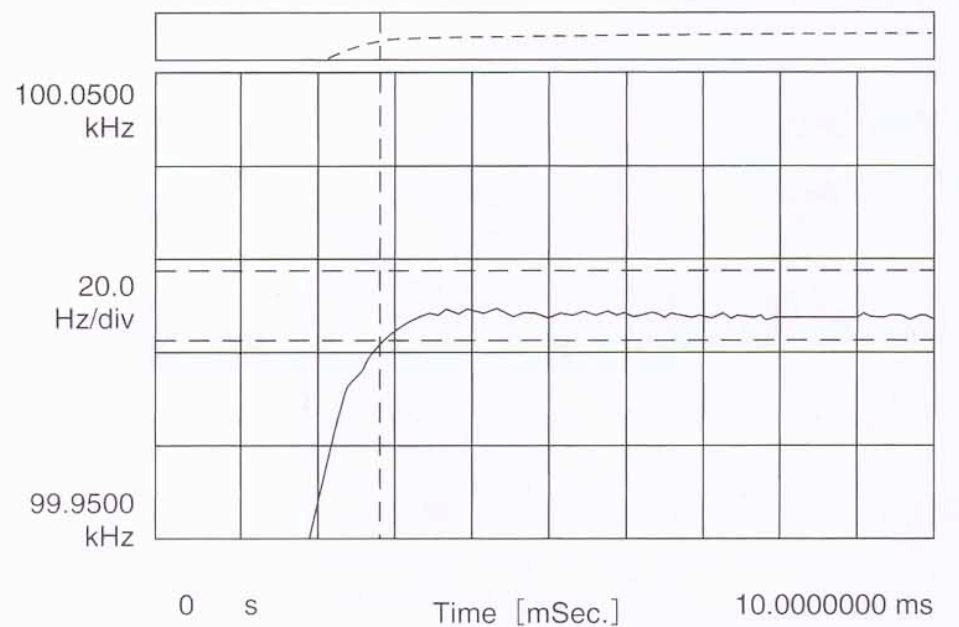
Accelerated aging characteristics at +85°C
TCO-987 12.8MHz



TCO-987 12.8MHz SSB phase noise

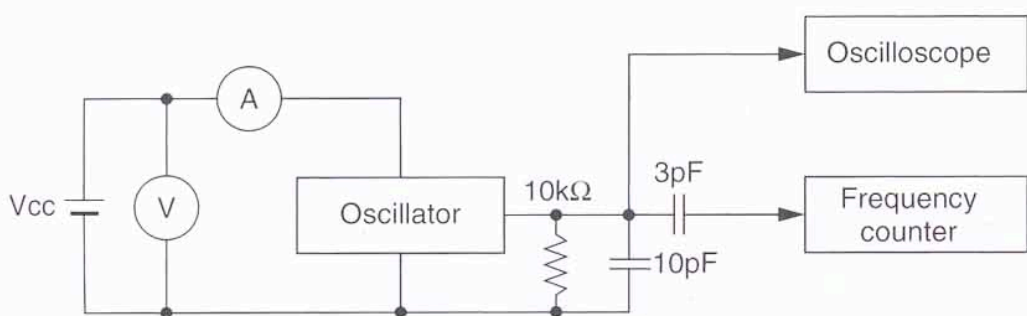


Rising time
TCO-987 12.8MHz



Test Circuit

TCO-980/981



TCO-986/987

