

1

2

3

4

A

A

B

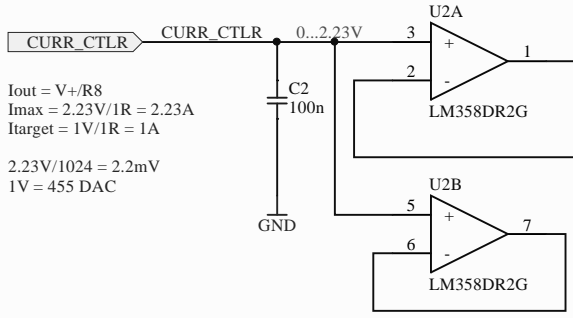
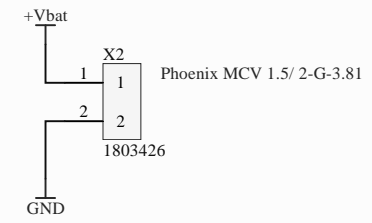
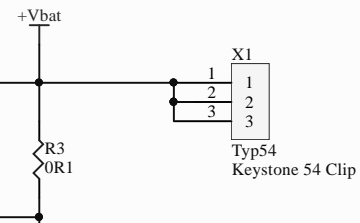
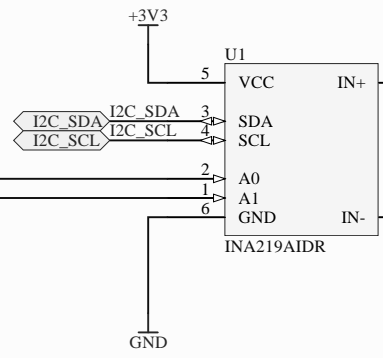
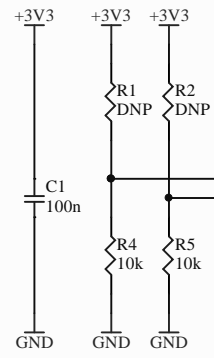
B

C

C

D

D

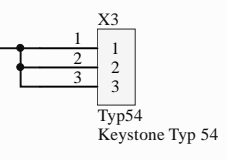
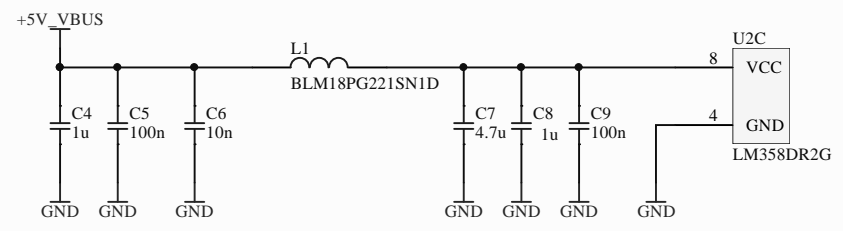
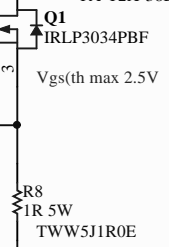


$I_{out} = V+/R8$
 $I_{max} = 2.23V/1R = 2.23A$
 $I_{target} = 1V/1R = 1A$
 $2.23V/1024 = 2.2mV$
 $1V = 455 DAC$



Heatsink: 7.46°C/W
 Mosfet Junction to Case : 0.44°C/W
 Mosfet Case to Sink 0.24°C/W
 Total: 8.14°C/W

 Load = 4.2V * 1A = 4.2W
 Heat = (4.2W * 8.14°C/W) + 25°C = 59.2°C



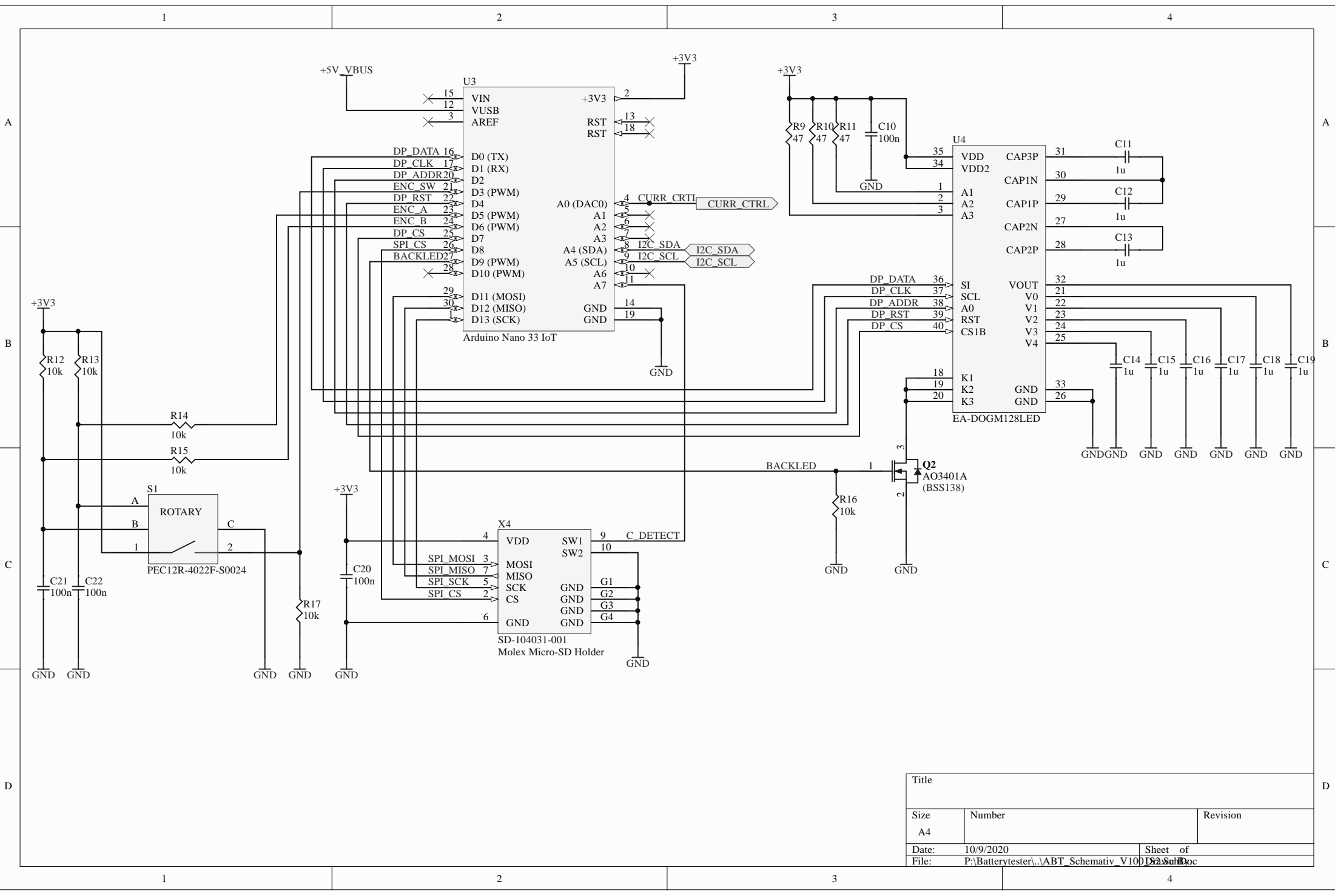
Title		
Size A4	Number	Revision
Date: 10/9/2020	Sheet of	
File: P:\Batterytester\...\ABT_Schemativ_V100.D11.SchDoc		

1

2

3

4



Title		
Size	Number	Revision
A4		
Date:	10/9/2020	Sheet of
File:	P:\Batterytester\...\ABT_Schemativ_V100.D2.SchDoc	