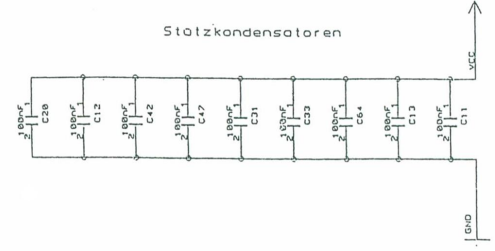
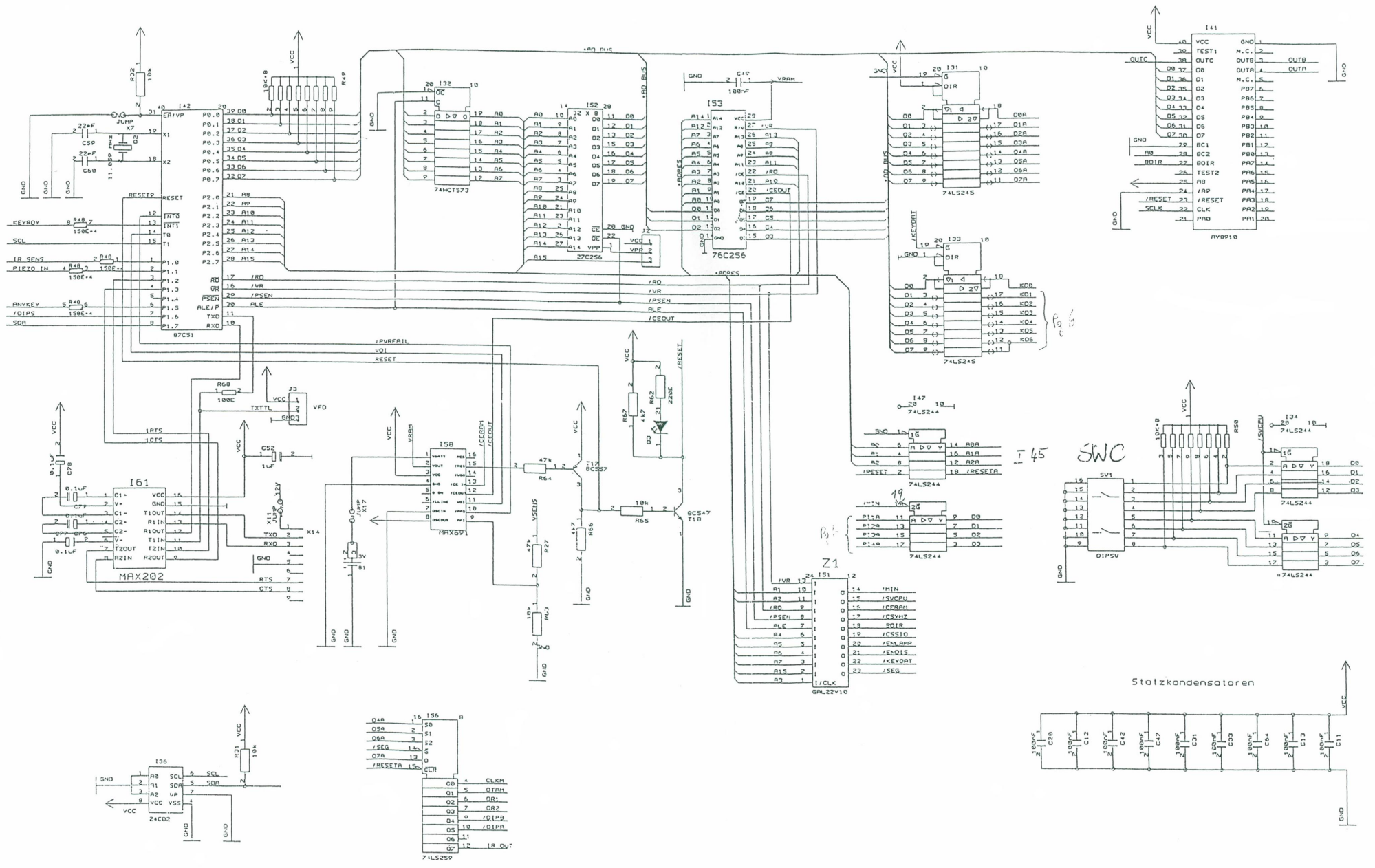
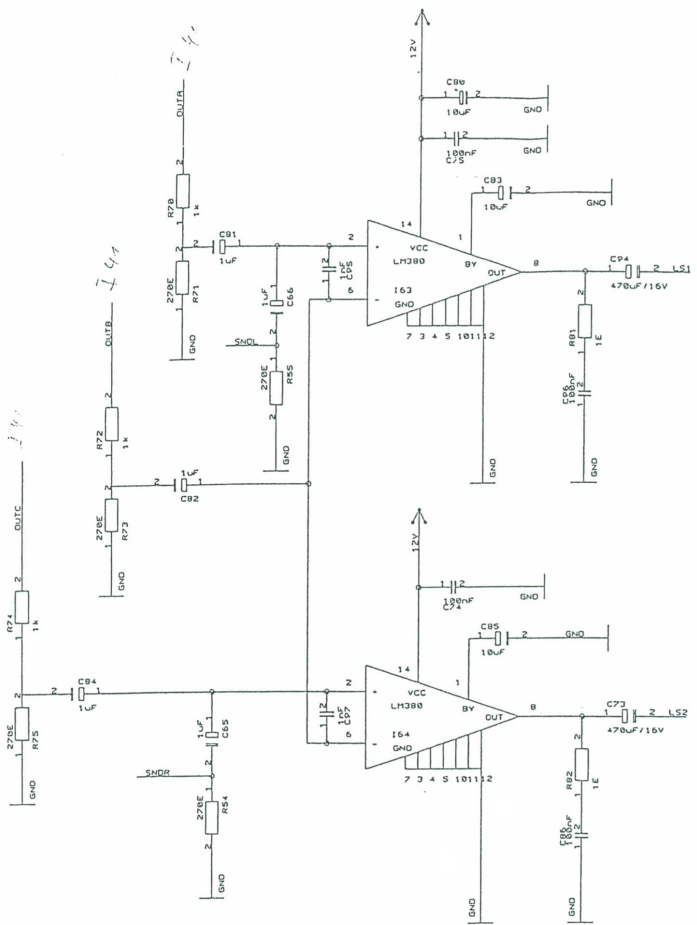


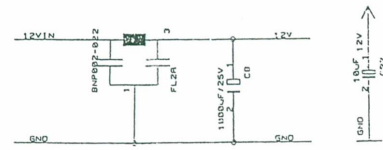
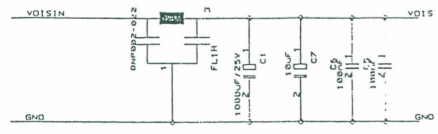
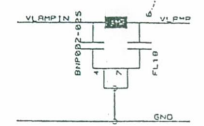
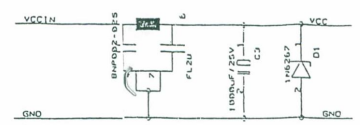
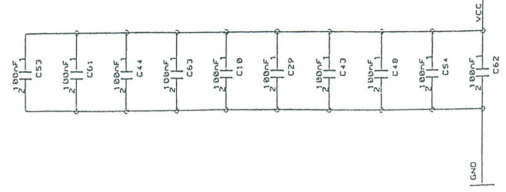
DIPSW → S.6



NOVO MATIC INTERNATIONAL CASINO SYSTEM TECHNOLOGIE	THIS DRAWING IS OUR INTELLECTUAL PROPERTY. COPYRIGHT BY NOVOMATIC AUTOMATENINDUSTRIE UND HANDELSGES. M.D.H. A-2352 GUMPOLOSKIRCHEN	DATE/TIME	NAME	PROJECT: P267-3	DESIGNATION:
		12.09.96 14:32	maZe	Der1 '94 CPU Part	
		MODIF.:	maZe	PAGE 1 OF 6	



Statzkondensatoren



S10 Extension

1	GND ₁
2	GND ₁
3	/VR
4	
5	/RD
6	D7
7	
8	D6
9	RESET
10	D5
11	A2
12	D4
13	
14	D3
15	A2
16	D2
17	A1
18	D1
19	GND ₁
20	D0
21	VCC
22	A0
23	VCC
24	/CS _{S10}
25	
26	

Zahlwerke

1	GND
2	COUNT1
3	COUNT2
4	COUNT3
5	COUNT4
6	COUNT5
7	COUNT6
8	COUNT7
9	COUNT8
10	12V

Lautsprecher + IR Sensor

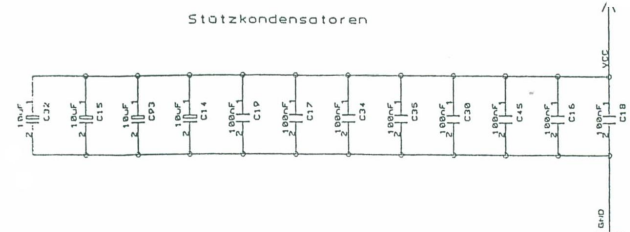
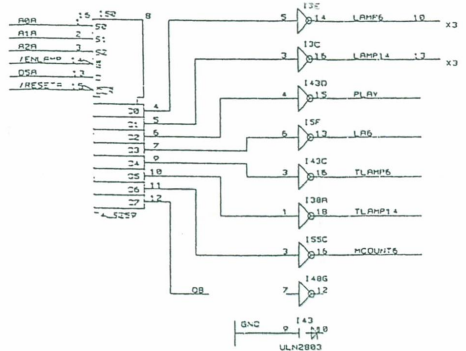
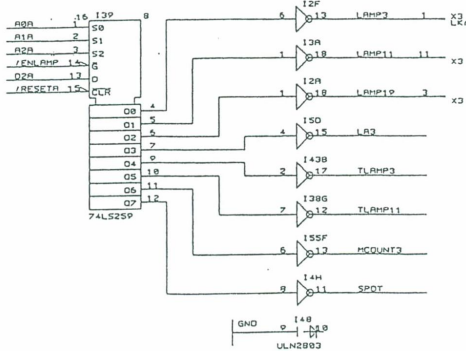
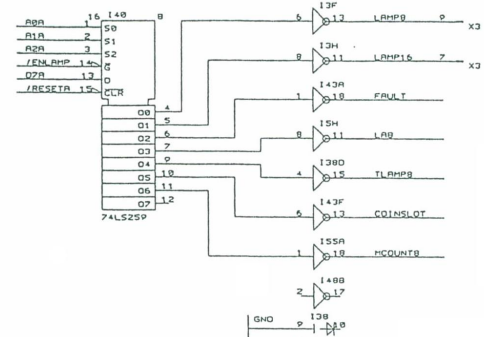
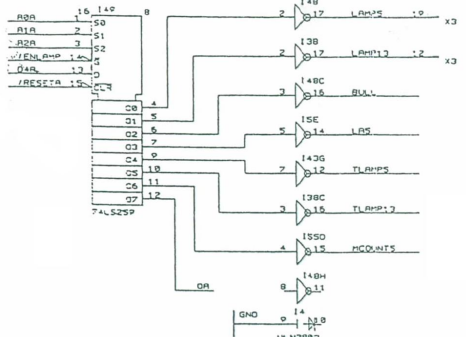
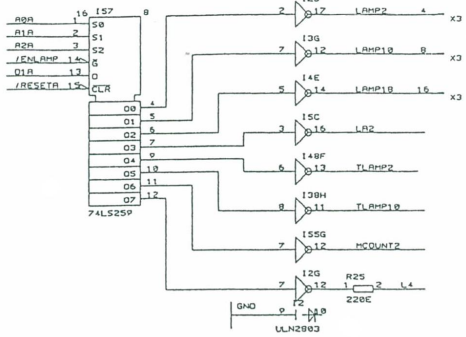
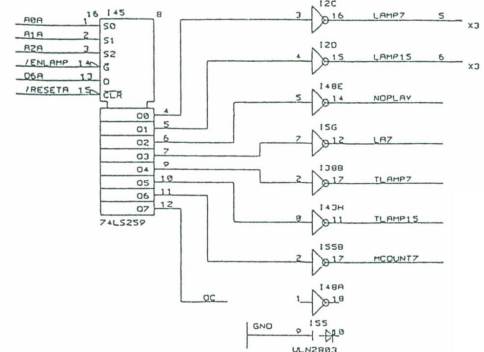
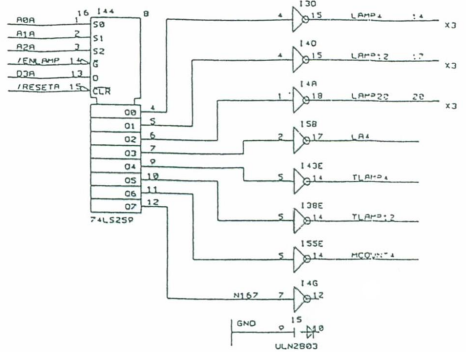
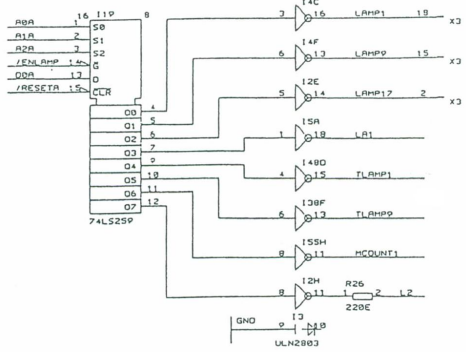
1	GND
2	LS1
3	GND
4	LS2
5	GND
6	12V
7	GND
8	IR OUT
9	IR SENS
10	VCC

Versorgung

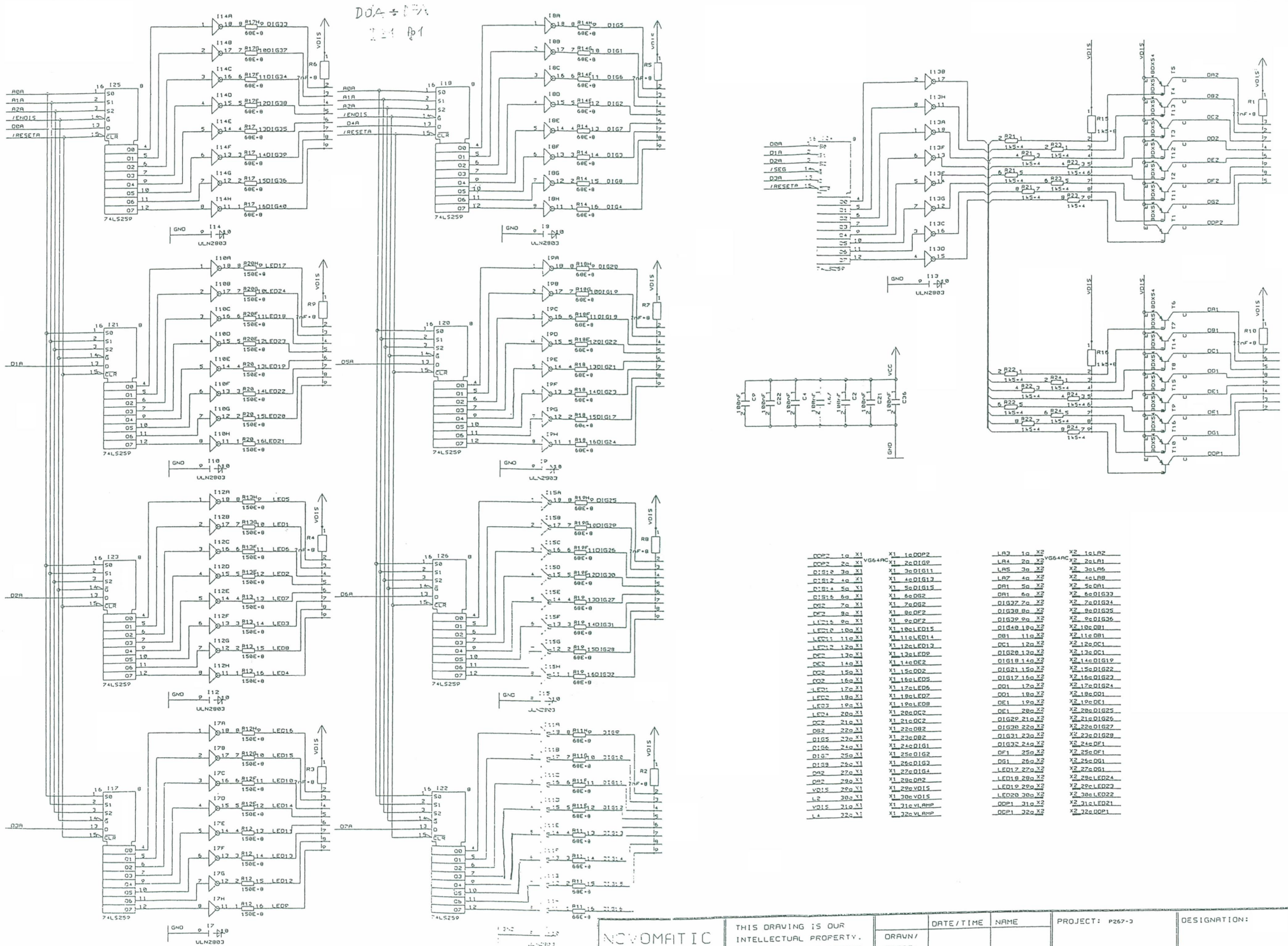
1	SPOT
2	VSENS
3	VLAMP
4	VLAMPIN
5	GND
6	GND
7	12VIN
8	VCCIN
9	VOISIN
10	VLAMPIN

05 010
04 09
03 08
02 07
01 06

NOVOMATIC INTERNATIONAL CASISINO SYSTEM *ECHANLOGIELE	THIS DRAWING IS OUR INTELLECTUAL PROPERTY. COPYRIGHT BY NOVOMATIC AUTOMATENINDUSTRIE UND HANDELSGES. m.B.H. A-2352 SUMPOLDSKIRCHEN	DRAWN/ TREAT:	DATE/TIME	NAME	PROJECT: P267-3	DESIGNATION:
		MODIF.:	12.09.96 14:35	maze	PAGE 2 OF 6	" "

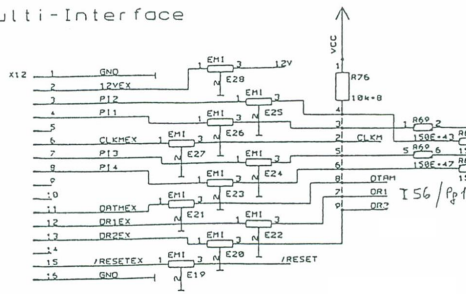


NOVOMATIC INTERNATIONAL (ASINO) SYSTEM TECHNOLOGIE	THIS DRAWING IS OUR INTELLECTUAL PROPERTY. COPYRIGHT BY NOVOMATIC AUTOMATENINDUSTRIE UND HANDELSGES. m.B.H. A-2352 GUMPELORKIRCHEN	DATE/TIME	NAME	PROJECT: #267-3	DESIGNATION:
		DRAWN/ TREAT:			
		MODIF.:	12.08.96 14:37	može	PAGE 3 OF 6

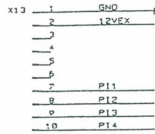


NOVOMATIC INTERNATIONAL CASINO SYSTEM TECHNOLOGIE	THIS DRAWING IS OUR INTELLECTUAL PROPERTY. COPYRIGHT BY NOVOMATIC AUTOMATENINDUSTRIE UND HANDELSGES. m.D.H. A-2352 GUMPOLDSKIRCHEN	DATE/TIME	NAME	PROJECT: P267-3	DESIGNATION:
		DRAWN/ TREAT: MODIF.: 12.00.96 11110	maze	PAGE 4 OF 6	

Multi-Interface

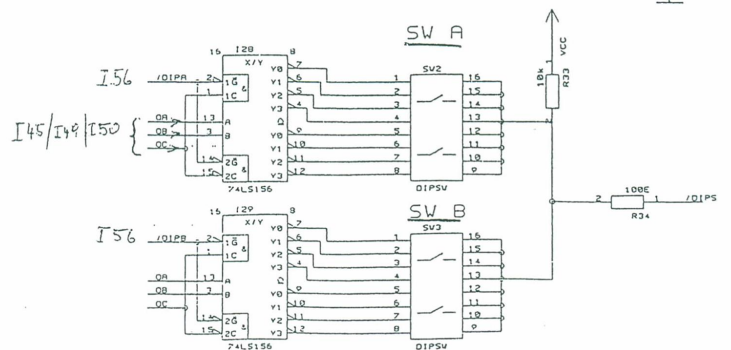
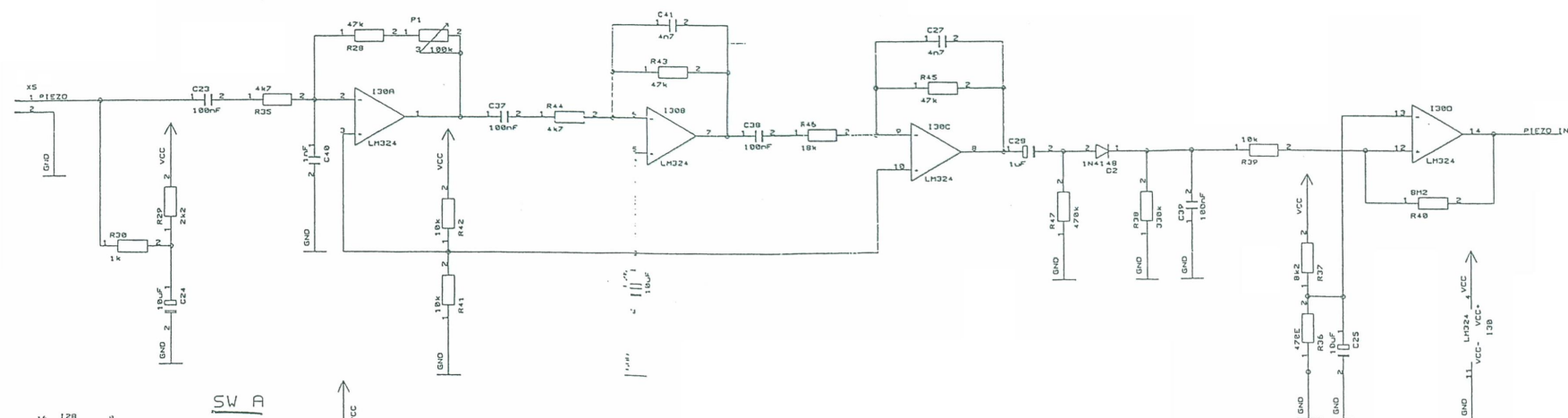
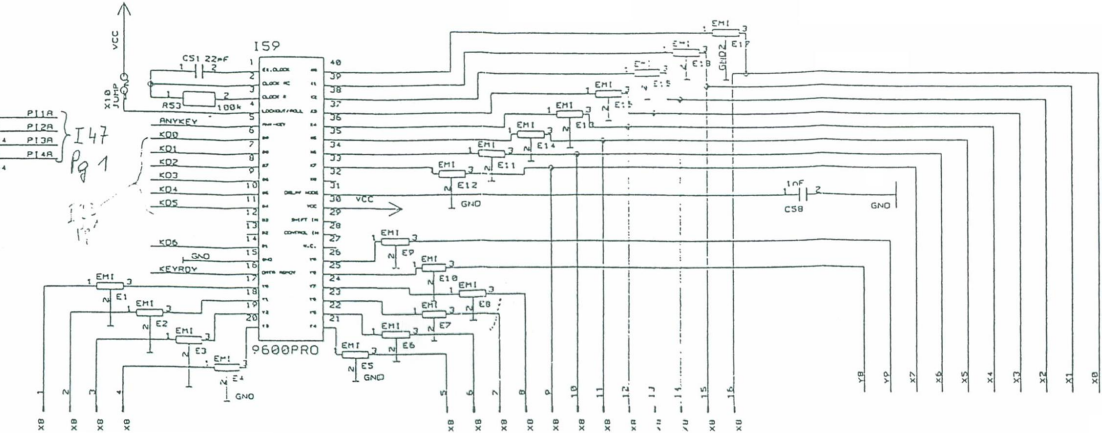


NRI G13
Mantelprüfer

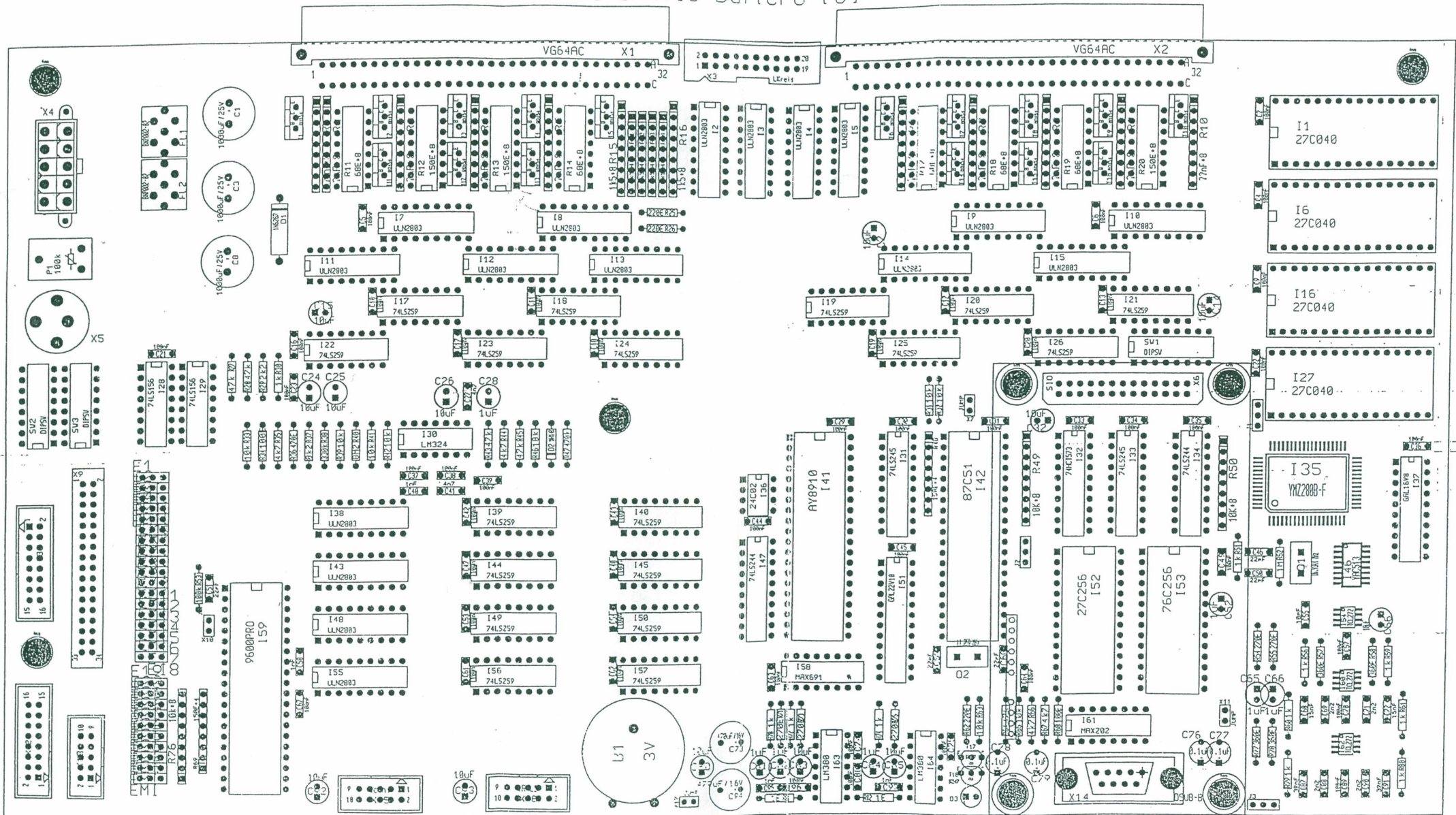


KABELBAUM STECKER

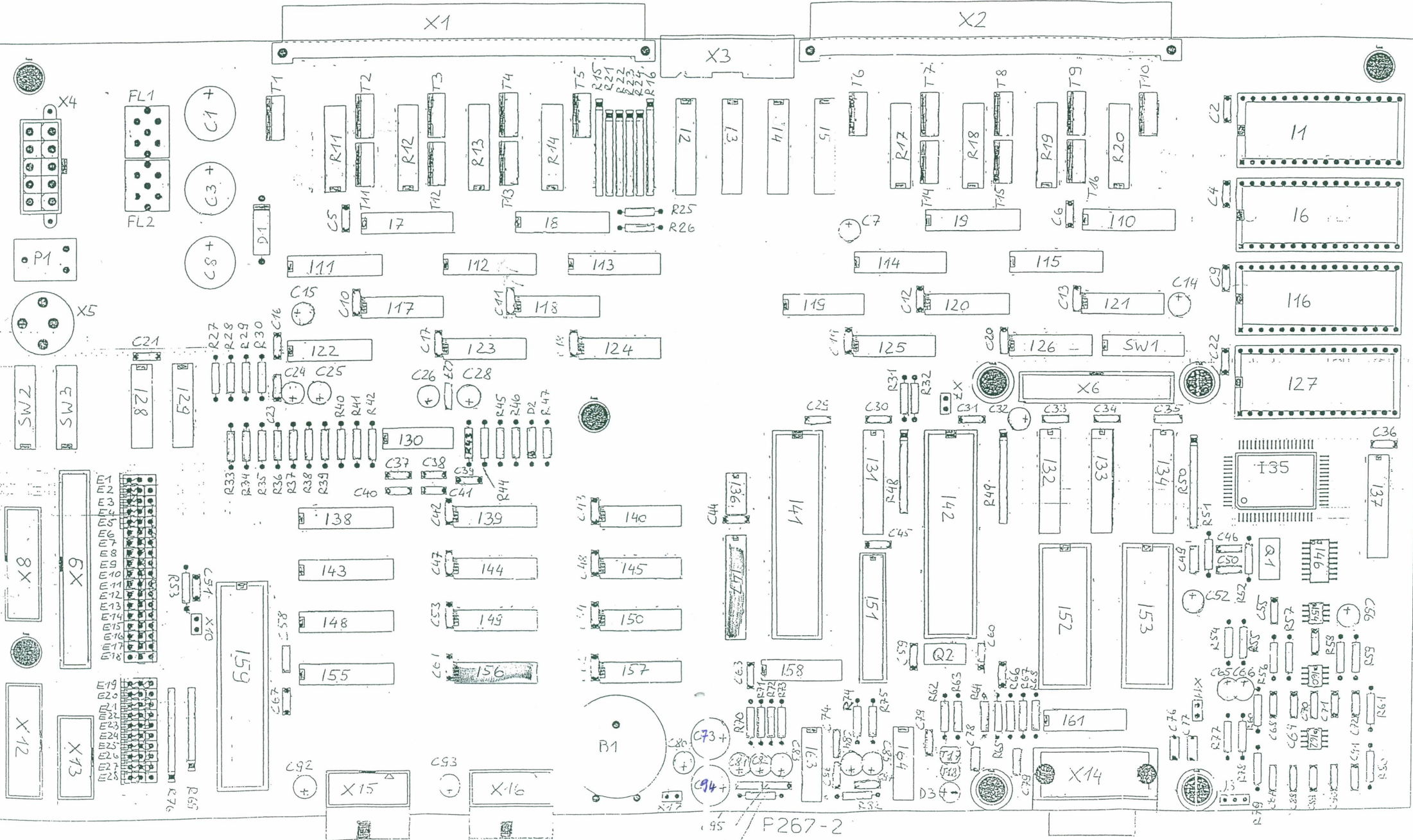
X0	1	FLAMP10
	2	FLAMP11
	3	FLAMP0
	4	FLAMP12
	5	FLAMP8
	6	FLAMP13
	7	FLAMP7
	8	FLAMP14
	9	FLAMP5
	10	FLAMP15
	11	FLAMP6
	12	COINSL0T
	13	FLAMP3
	14	FLAMP4
	15	FLAMP1
	16	FLAMP2
	17	VP
	18	VB
	19	VS
	20	X7
	21	X4
	22	X5
	23	X2
	24	X3
	25	X0
	26	X1
	27	BLA1
	28	PHAV
	29	NOPLAV
	30	FINA1
	31	VLAMP
	32	VLAMP
	33	VLAMP
	34	VLAMP



NOVOMATIC INTERNATIONAL CASINO SYSTEM TECHNOLOGIE	THIS DRAWING IS OUR INTELLECTUAL PROPERTY. COPYRIGHT BY NOVOMATIC AUTOMATENINDUSTRIE UND HANDELSGES. m.B.H. A-2352 GUNPOLOSKIRCHEN	DATE/TIME	NAME	PROJECT: p267-3	DESIGNATION:
		DRAWN/ TREAT:	maze	PAGE 6 OF 6	
		MODIF.:	12.08.96 14151		



NOVOMATIC BaricPU 10.



P267-2
P267-3
R64