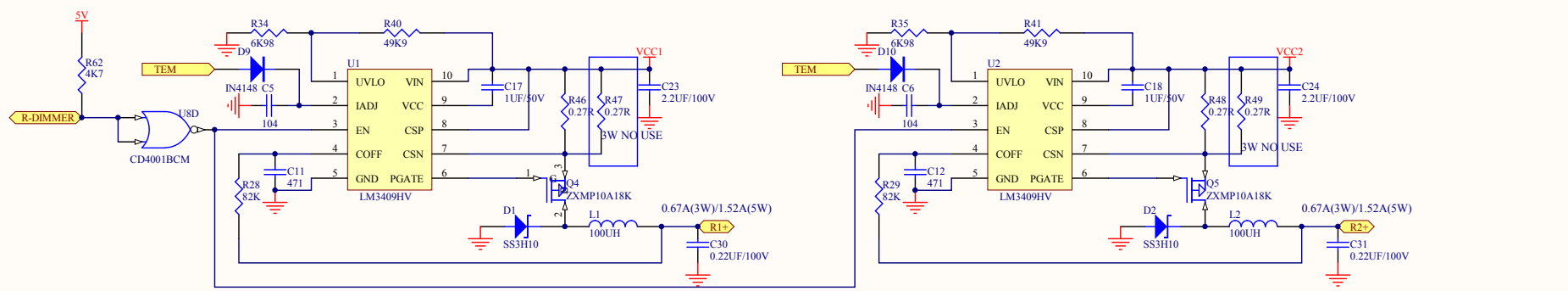
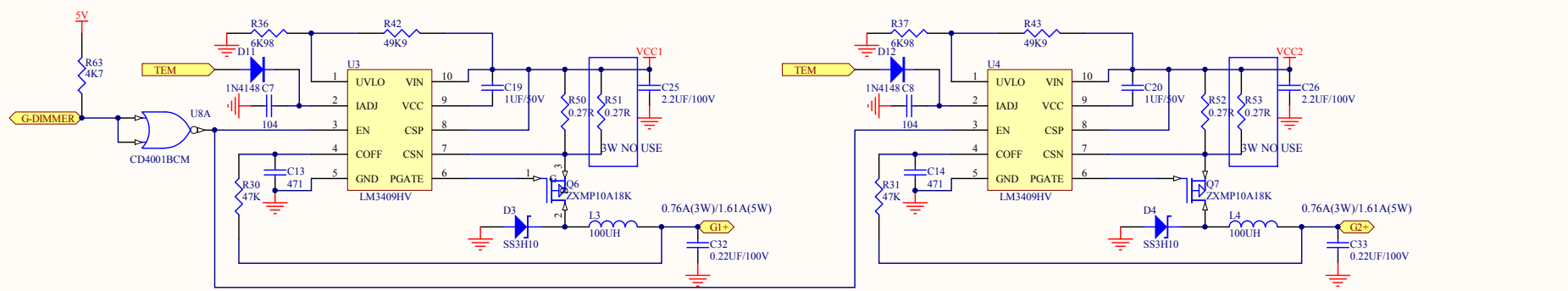


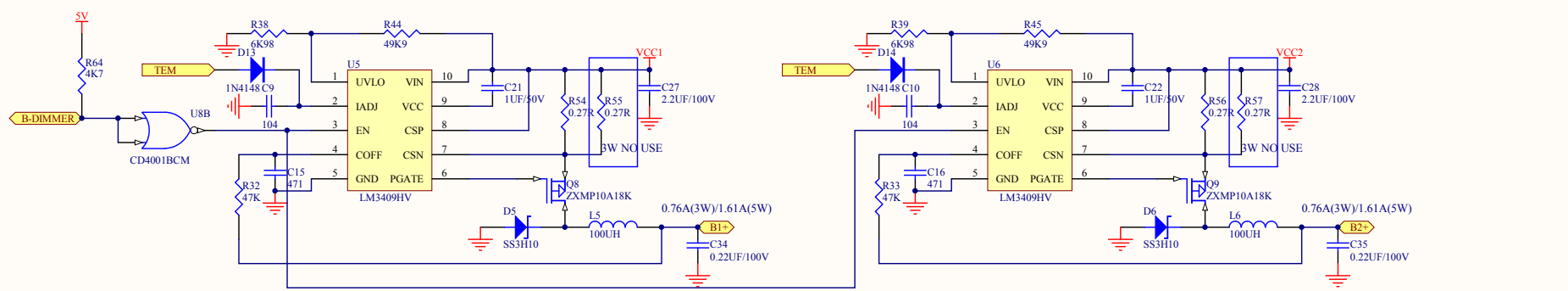
A



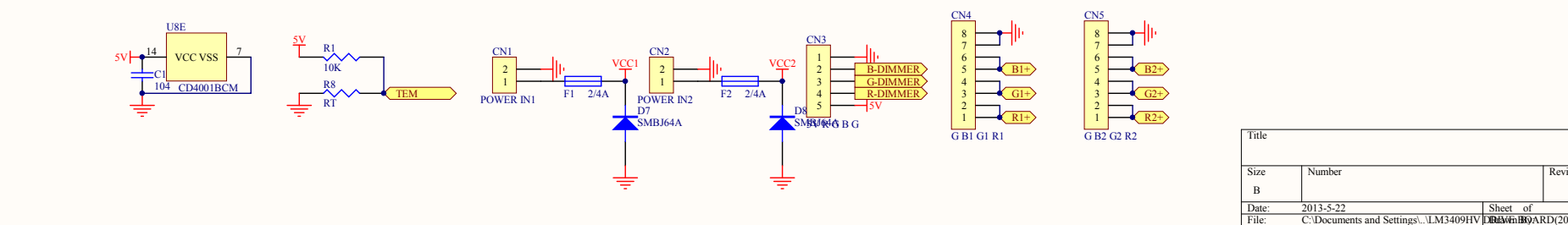
B



C



D



Title		
Size	Number	Revision
B		
Date:	2013-5-22	Sheet of
File:	C:\Documents and Settings\LM3409HV	BOARD(20121018).Sch