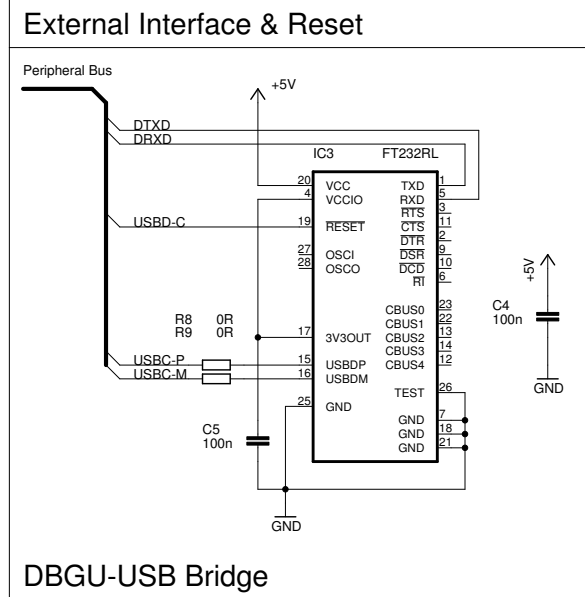
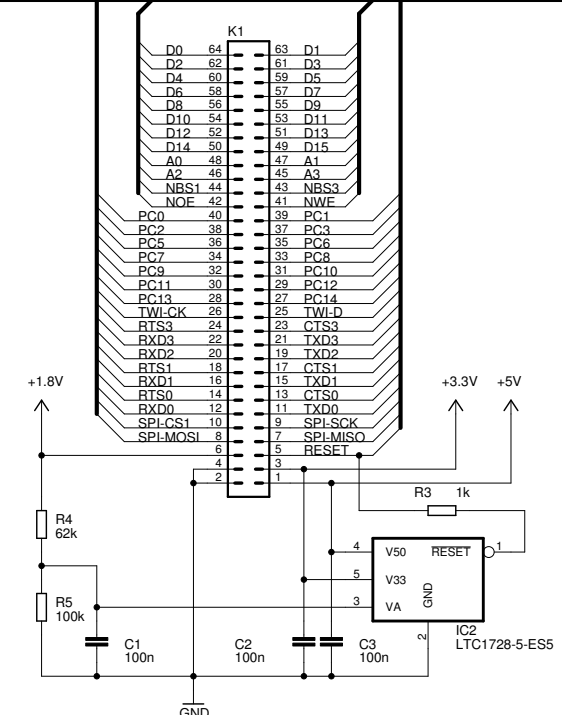


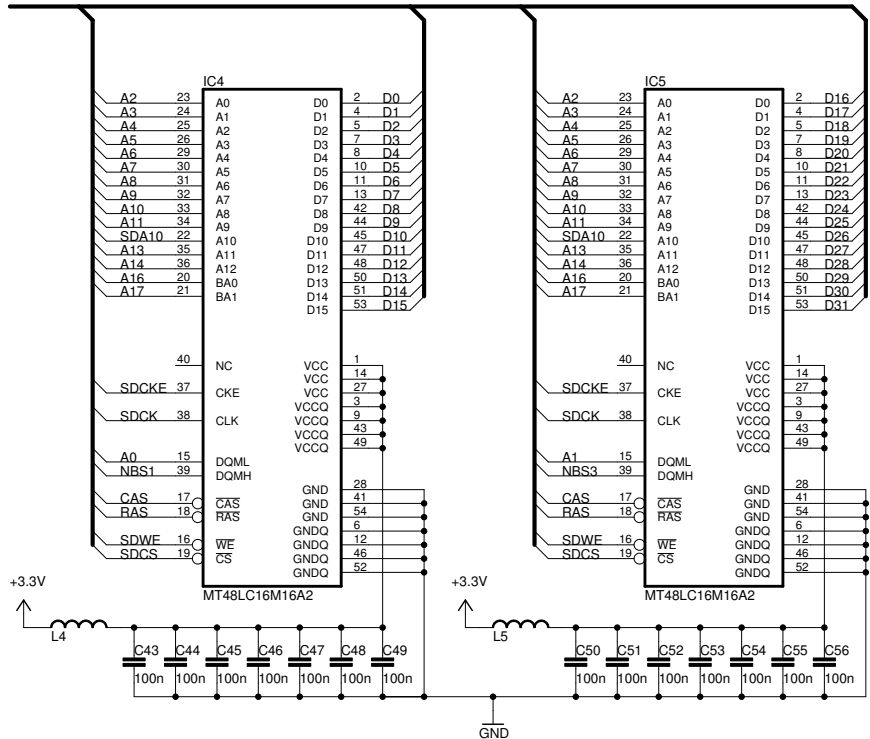
"Pingu920"  
Schematic Rev. 0.9.2  
(C) 2009 Oliver Döring

Check <http://www.mikrocontroller.net/topic/126683>  
for current schematics

**NOT TESTED - USE AT OWN RISK!**



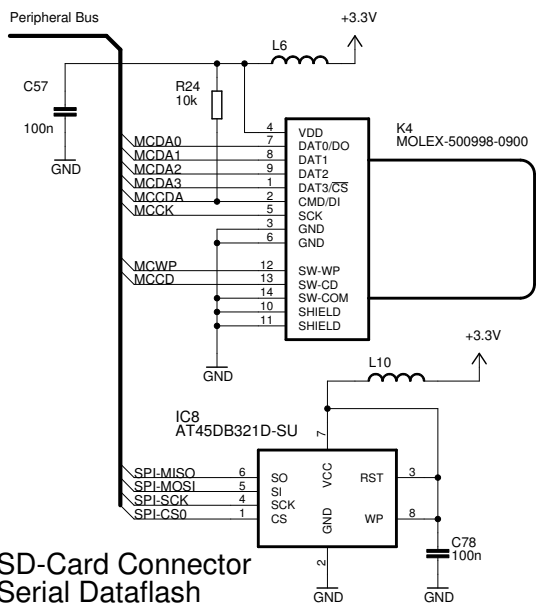
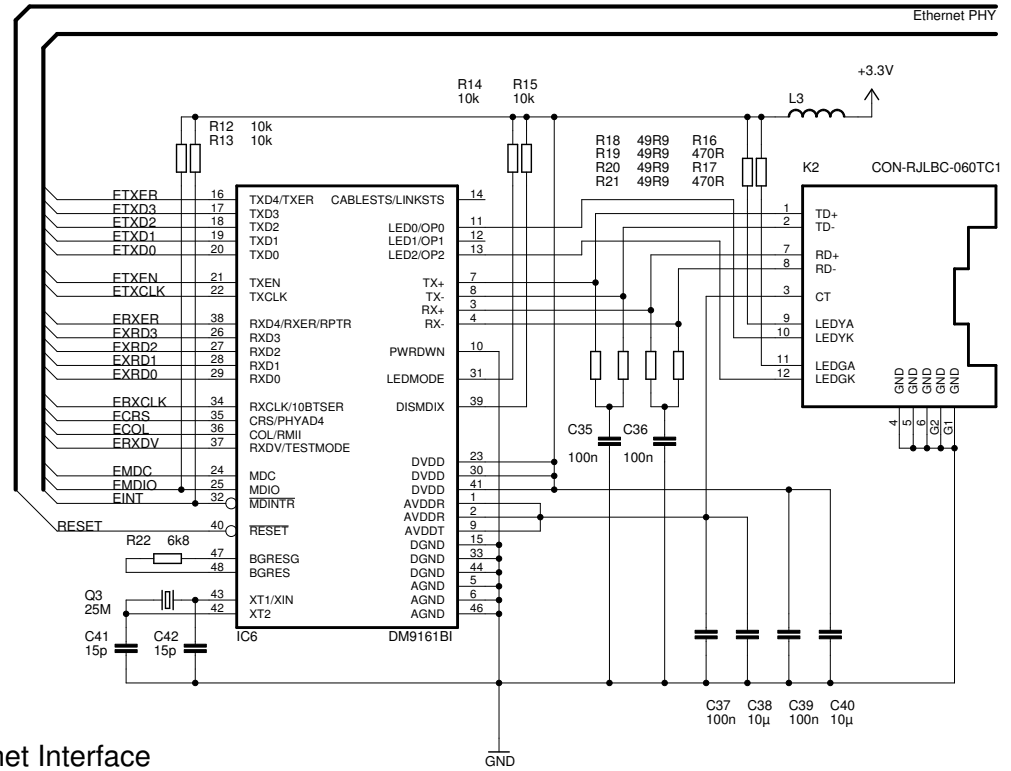
External Bus Interface



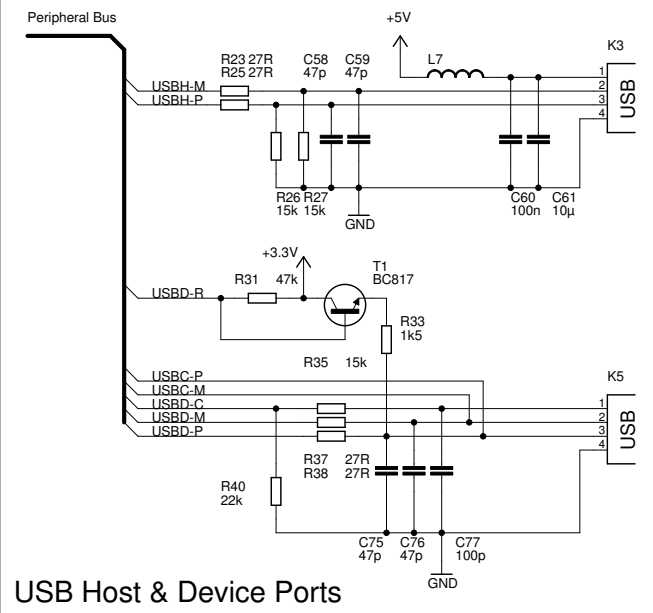
64MB SDRAM Ethernet Interface

Peripheral Bus

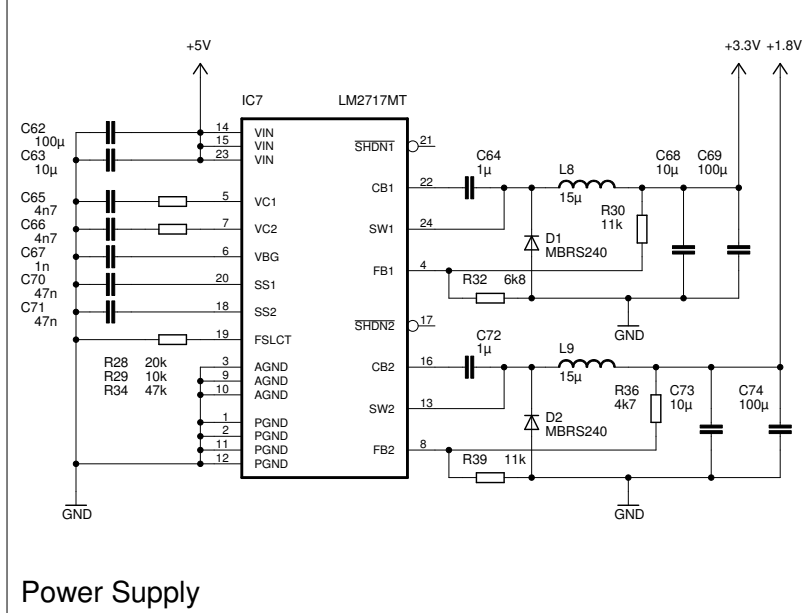
Ethernet PHY



SD-Card Connector Serial Dataflash



USB Host & Device Ports



Power Supply