

Title		
Axis Control		
Size	Document Number	Rev
A3	<Doc>	REV1
Date:	Monday, November 16, 2020	Sheet 1 of 1

X6,3 : Übertemperatur LED auf Pannel
X6,21 Plasma schalter = 12V
X6,18 MMA schalter= 12V
X6,8 2T= 12V 4T = -4V
X6,20 DC=12V AC = 0V

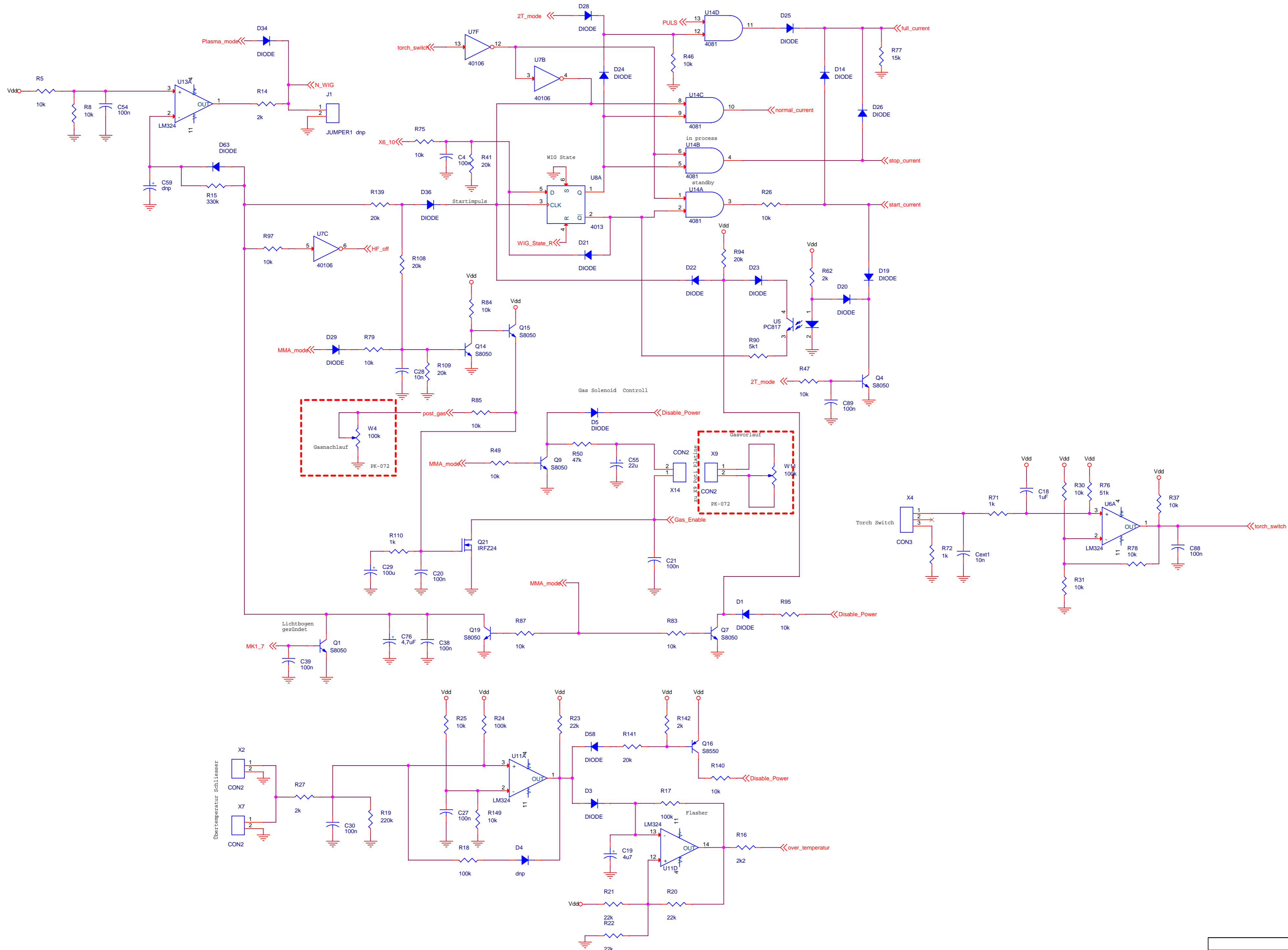
X6,4 Schlusstrom (AI) 0...9V
X6,6 Impulsstrom (AI) 0...9V
X6,22 Schweisstrom (AI) 0...9V

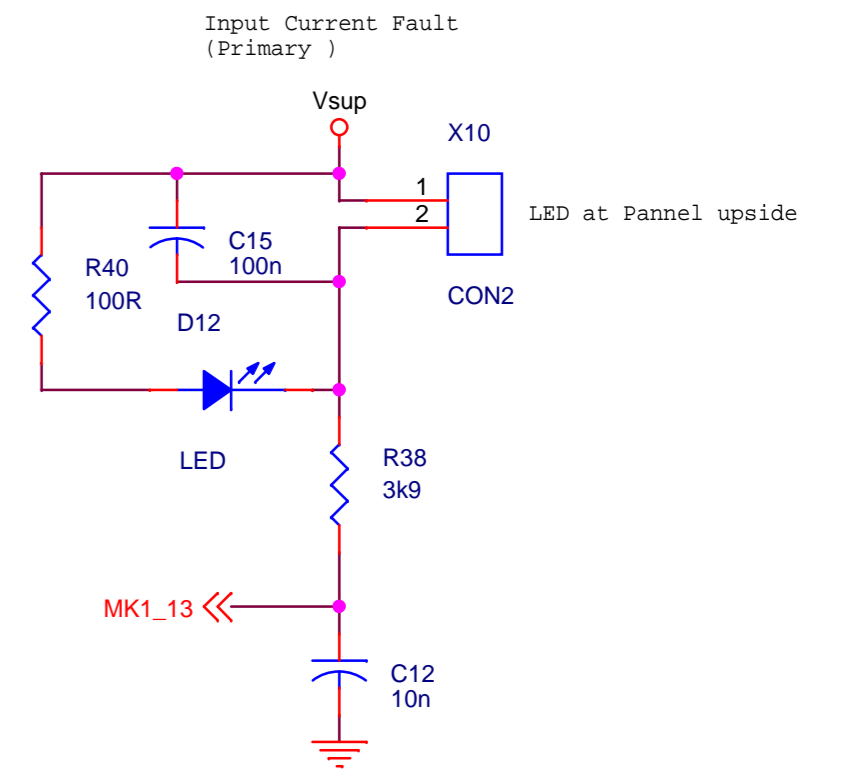
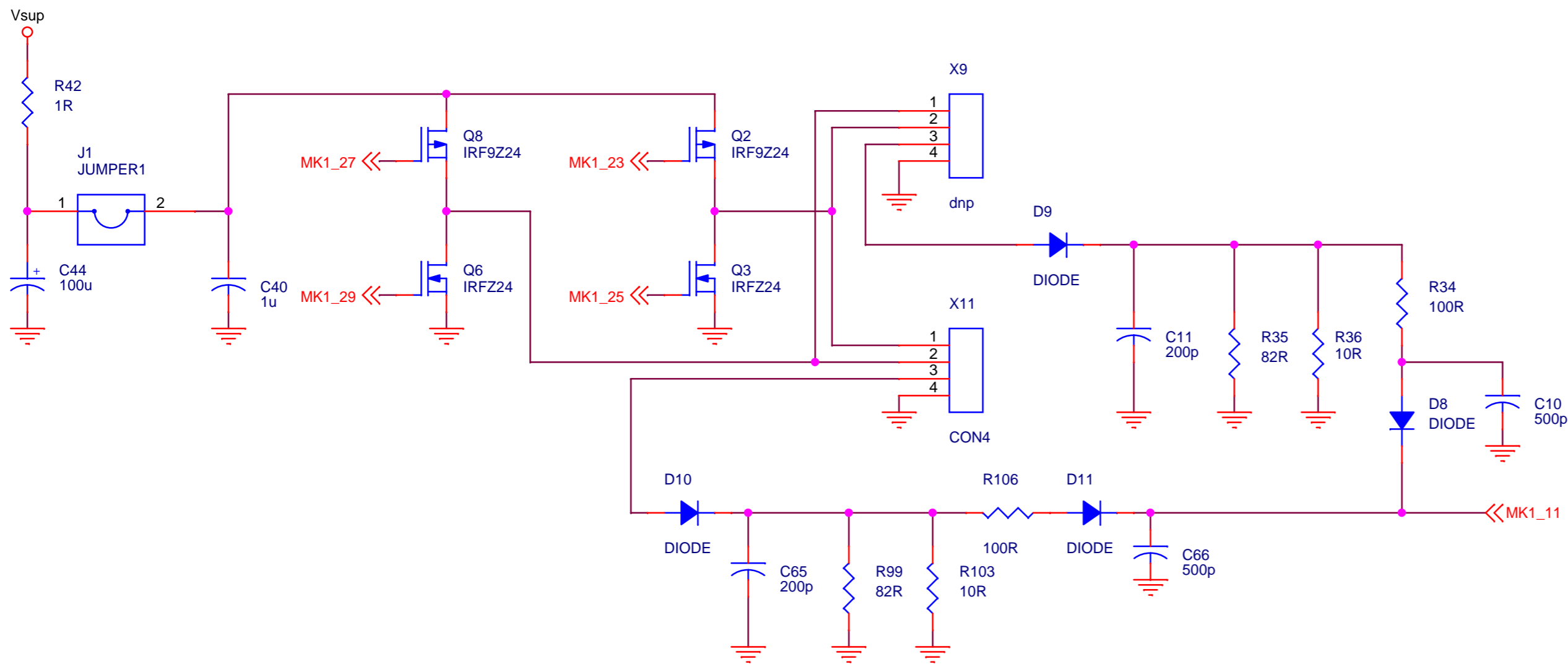
X6,24 Startstrom (AI) 0...9V
X6,2 DC= 0V AC= 6V
X6,1516 Impuls off = 0,
Impulsfrequenz
Mittelstellung: Level 0.9V 7Hz...240Hz
Oben: Level 0.9V 0.5Hz 22Hz
X6,17: Impulsweite 4.81V ... 7.17V

Q22: durchgeschaltet = HF Ein
Q21: durchgeschaltet = Gas Ventil Ein

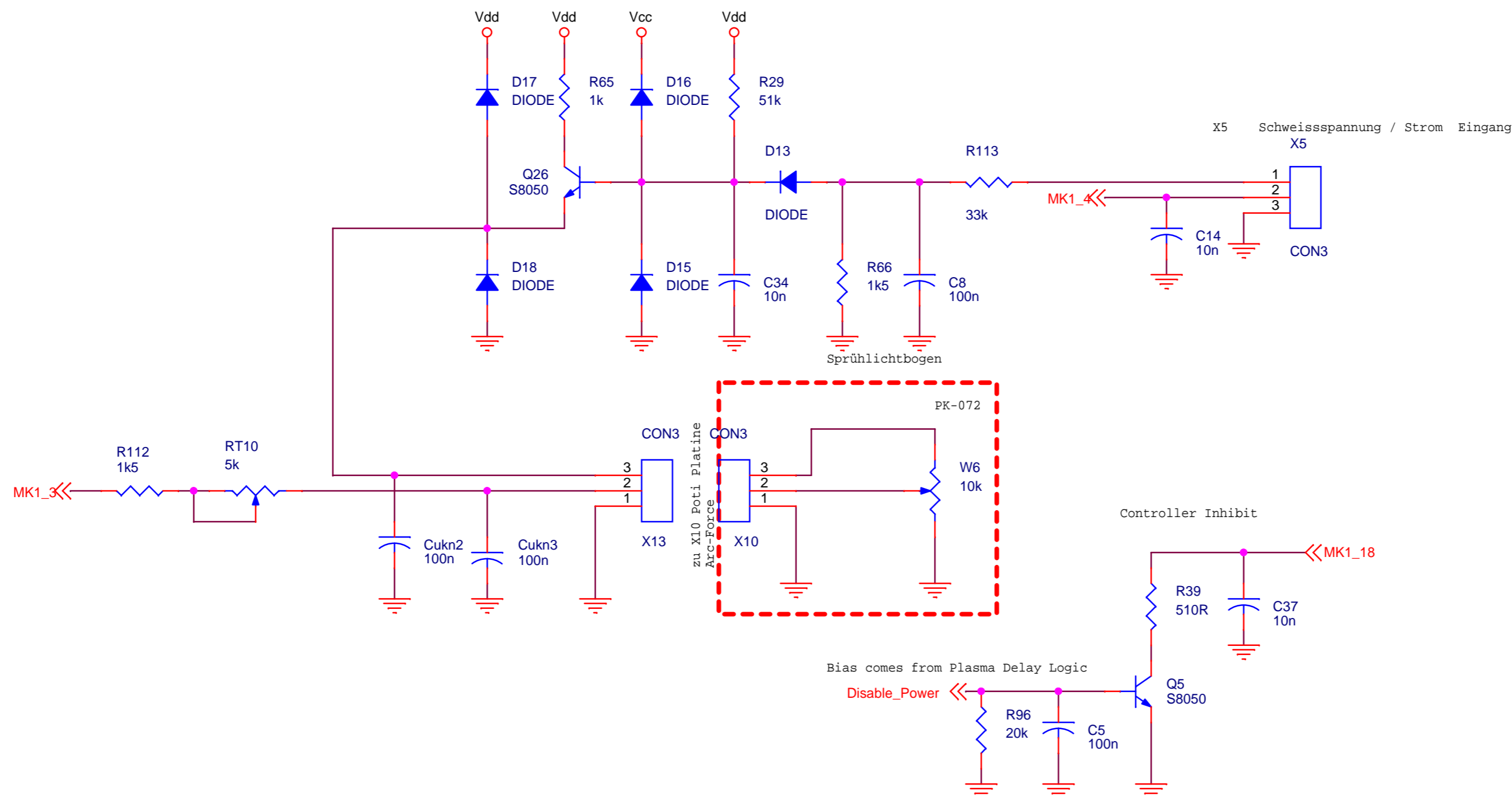
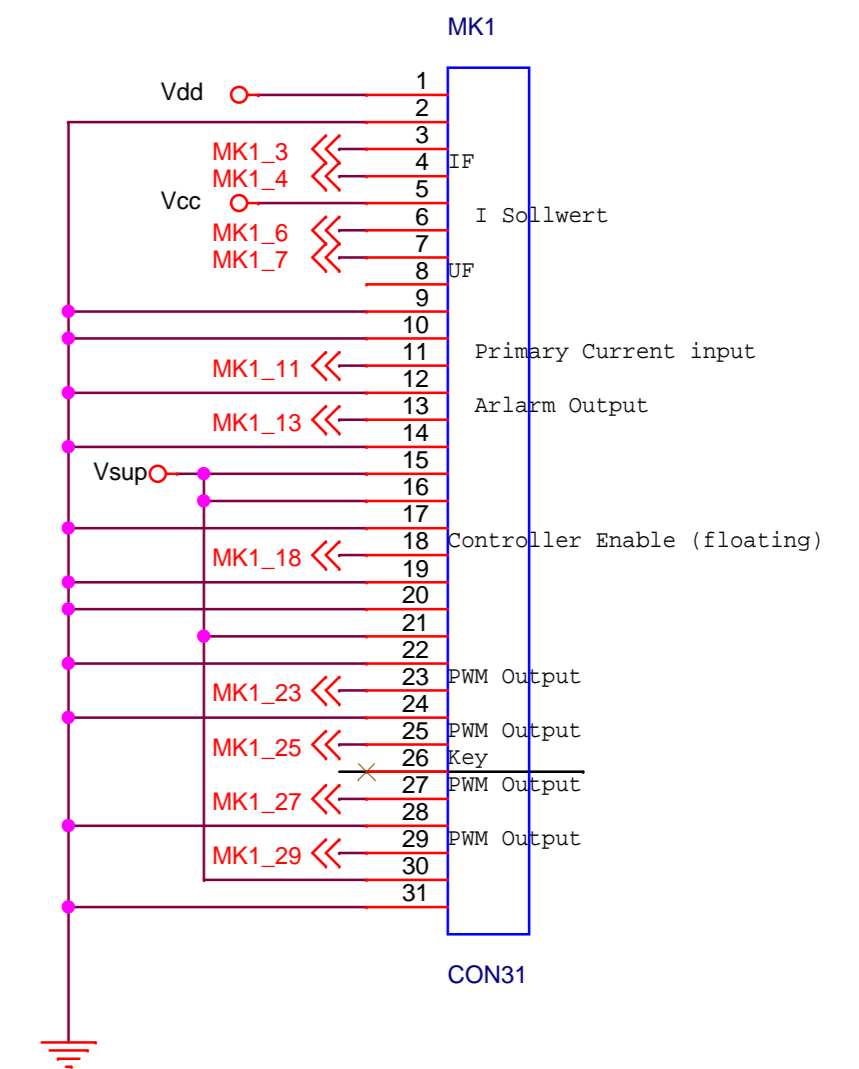
X5,1: gemessene Spannung MMA: 66V

Title		
PK-062		
Size	Document Number	Rev
A3	Doku	B
Date:	Monday, November 16, 2020	Sheet 1 of 1

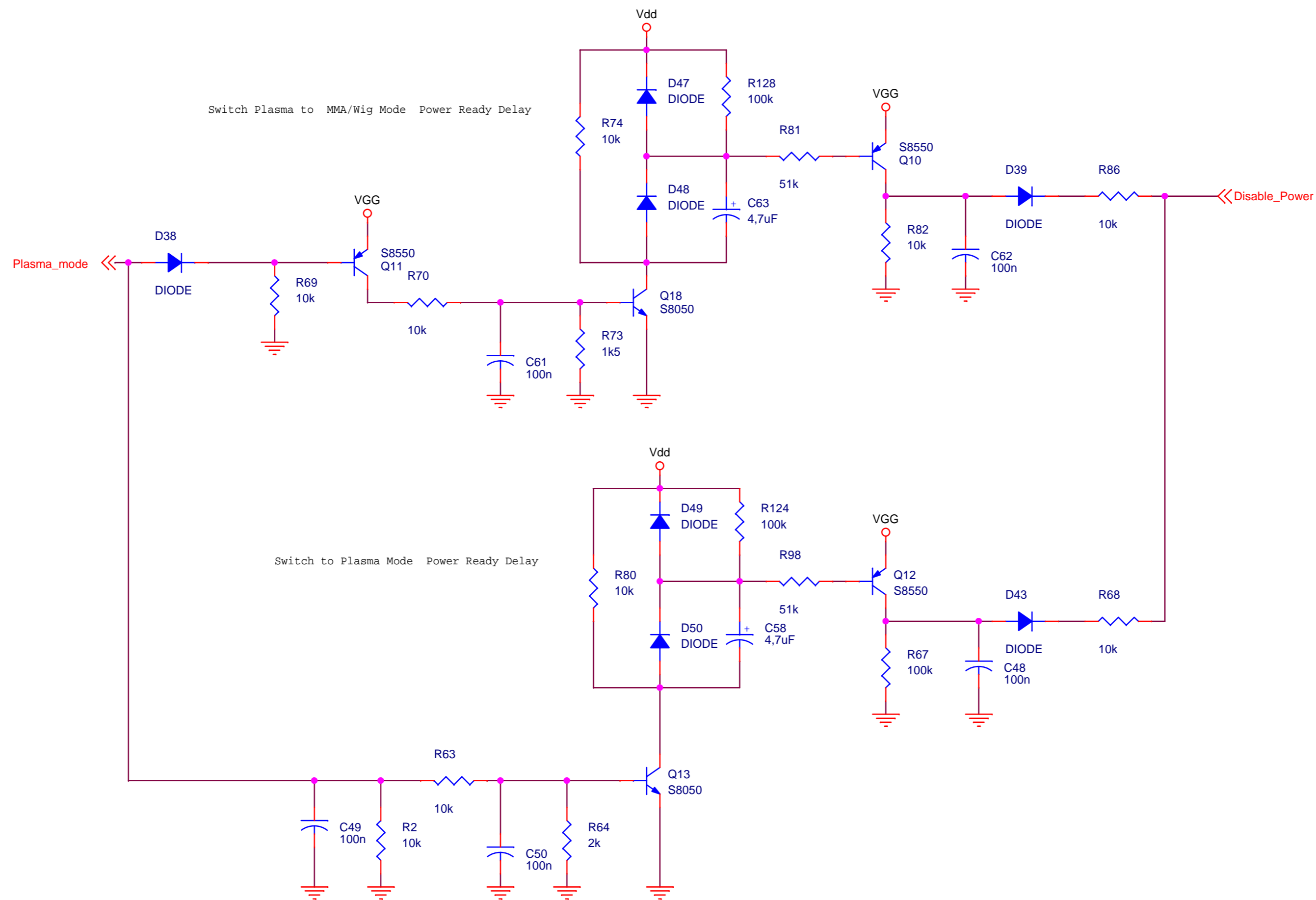




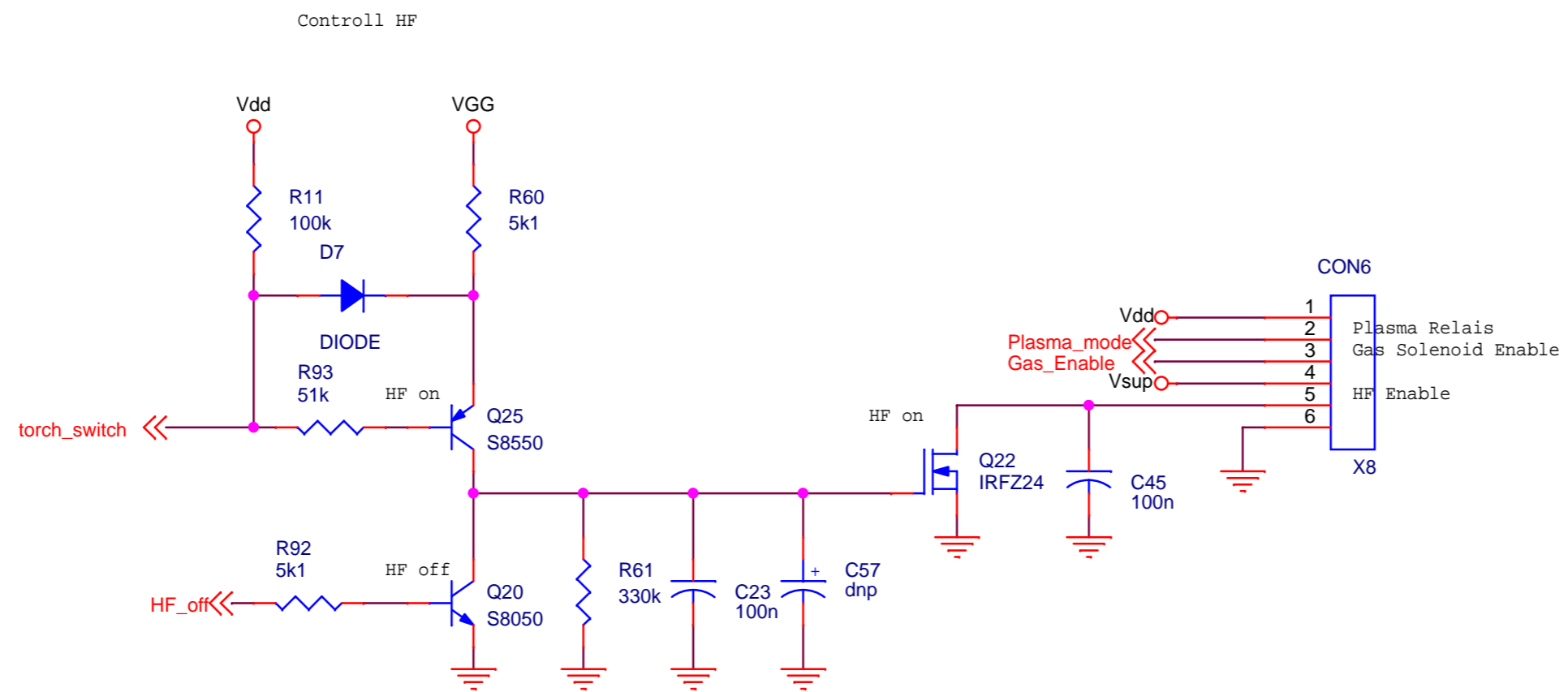
PWM Welding Controller PK-03



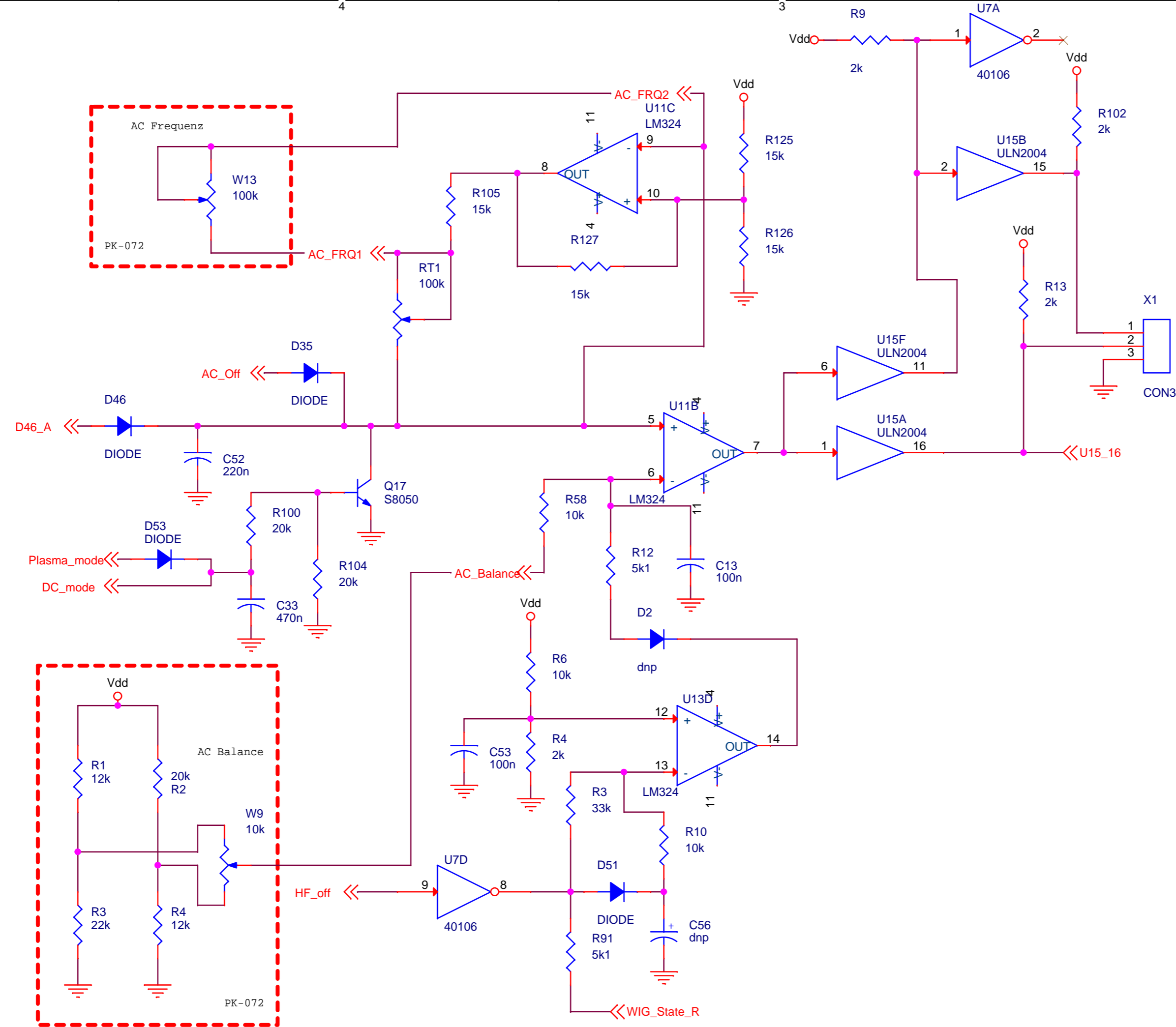
Title		
PK-062		
Size	Document Number	Rev
A3	Power Control	B
Date:	Monday, November 16, 2020	Sheet 1 of 1



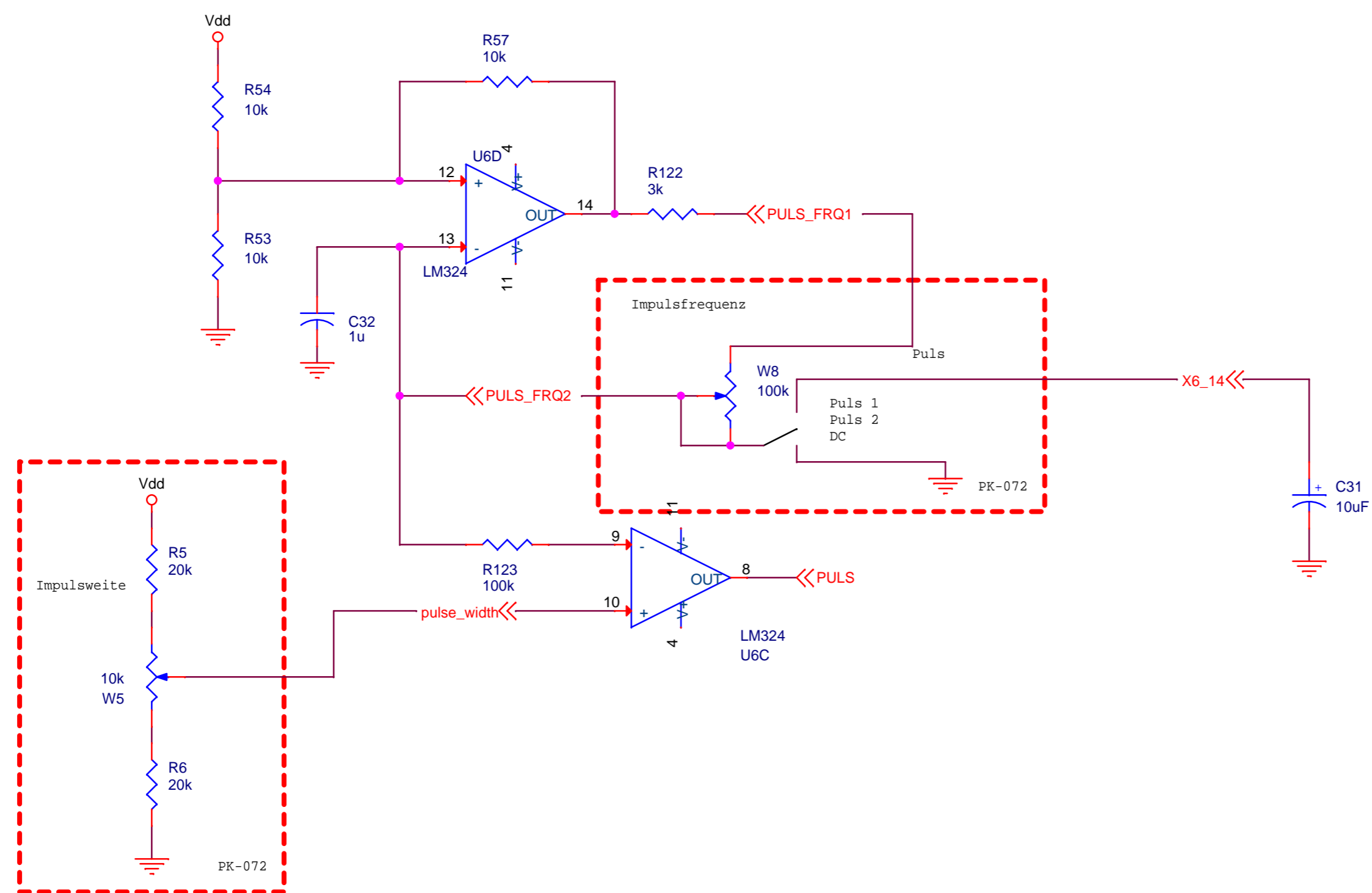
Title		
PK-062		
Size	Document Number	Rev
A3	Plasma	B
Date:	Monday, November 16, 2020	Sheet 1 of 1



Title		
PK-062		
Size	Document Number	Rev
A3	HF Controll	B
Date:	Monday, November 16, 2020	Sheet 1 of 1



Title		
PK-062		
Size	Document Number	Rev
A3	AC	B
Date:	Monday, November 16, 2020	Sheet 1 of 1



Title		
PK-062		
Size	Document Number	Rev
A3	Puls	B
Date:	Monday, November 16, 2020	Sheet 1 of 1