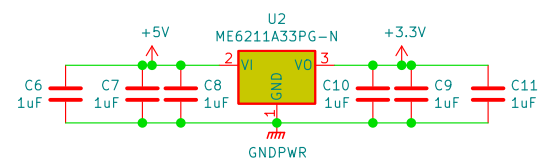
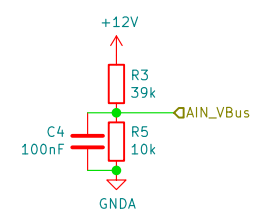
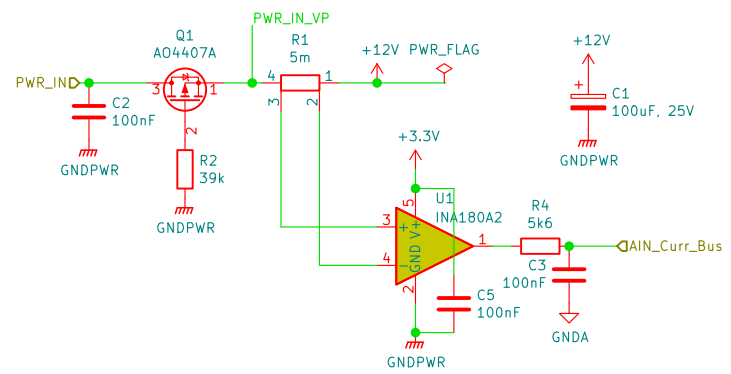
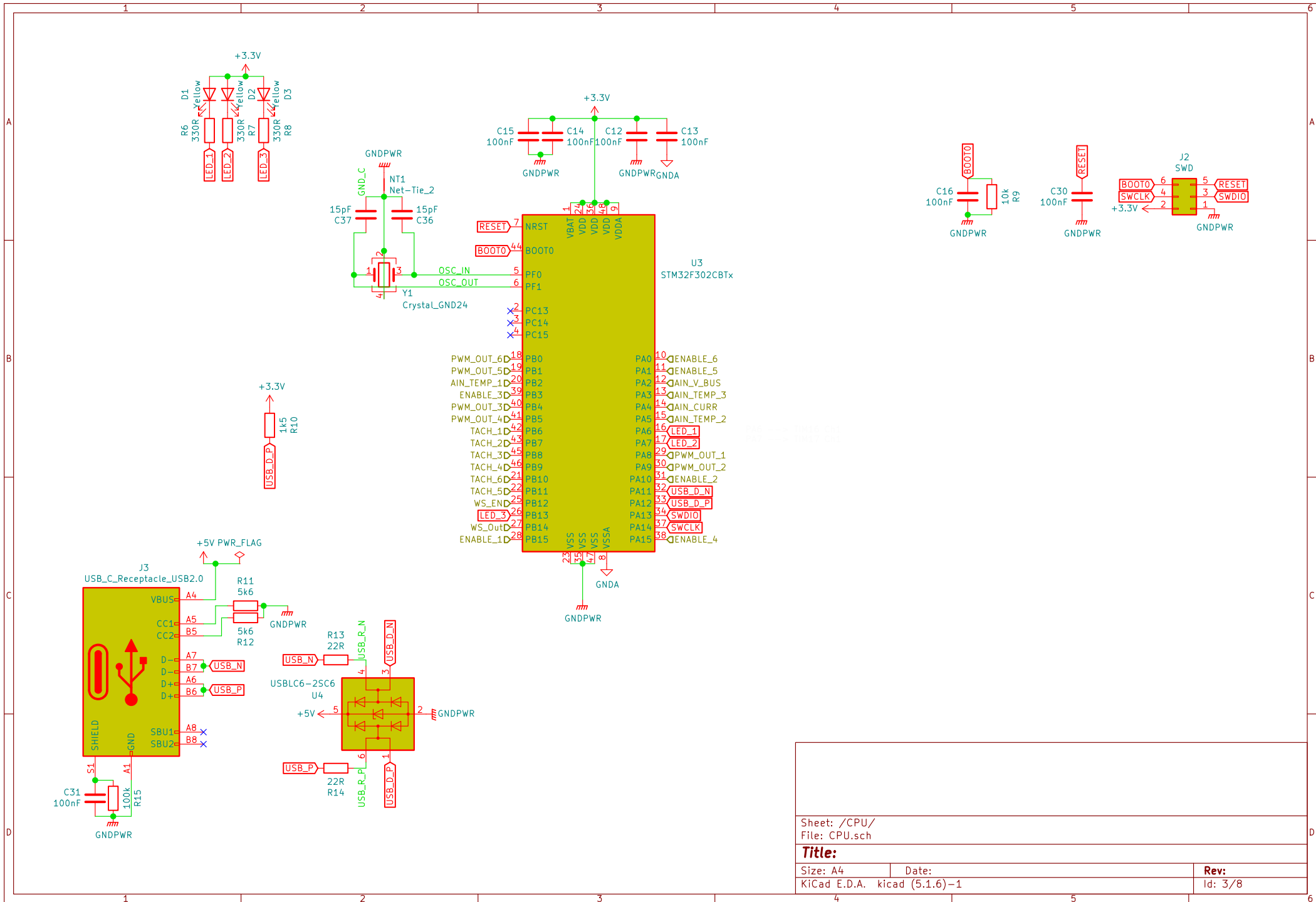


Sheet: /		
File: PCB_Fan_Control.sch		
Title:		
Size: A4	Date:	Rev:
KiCad E.D.A. kicad (5.1.6)-1		Id: 1/8



- TP1 +12V
- TP2 +5V
- TP3 +3.3V
- TP4 GNDPWR
- TP5 GNDPWR

Sheet: /Supply/		Date:	
File: Supply.sch		Rev:	
Size: A4	KiCad E.D.A. kicad (5.1.6)-1		Id: 2/8



Sheet: /CPU/
File: CPU.sch

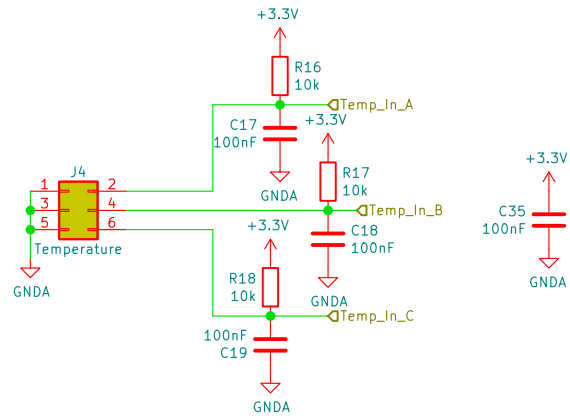
Title:

Size: A4
KiCad E.D.A. kicad (5.1.6)-1

Date:

Rev:

Id: 3/8



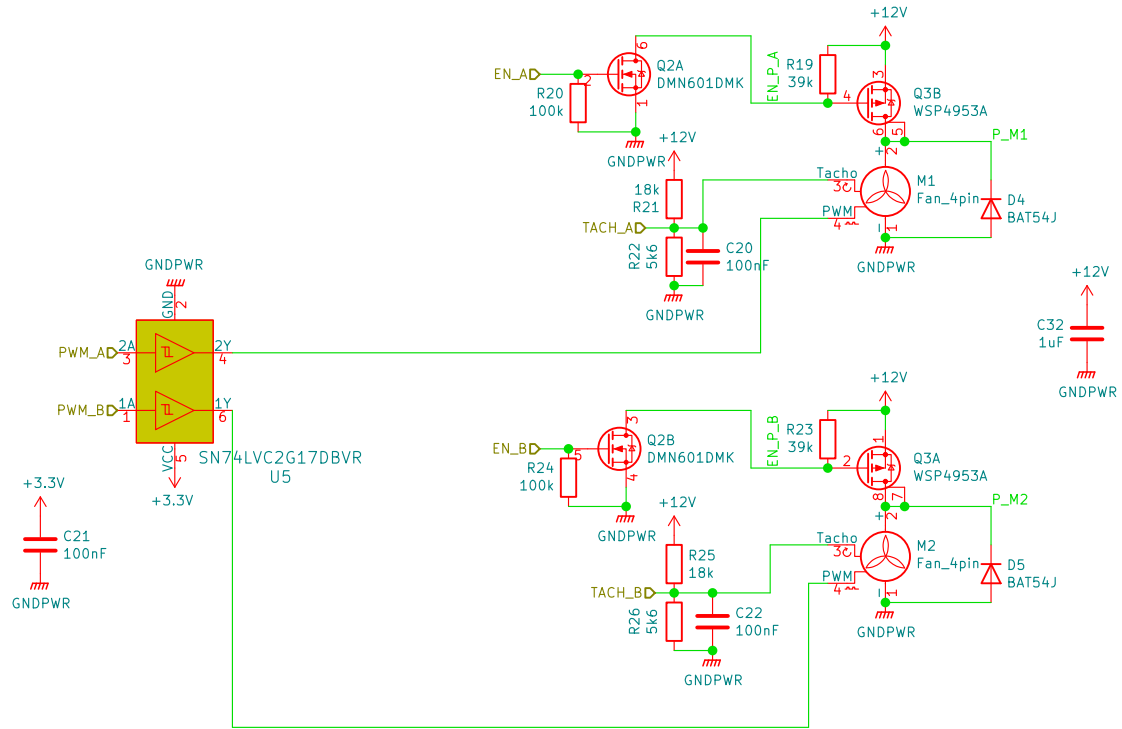
Sheet: /Temps/
 File: Temperature.sch

Title:

Size: A4
 KiCad E.D.A. kicad (5.1.6)-1

Date:

Rev:
 Id: 4/8



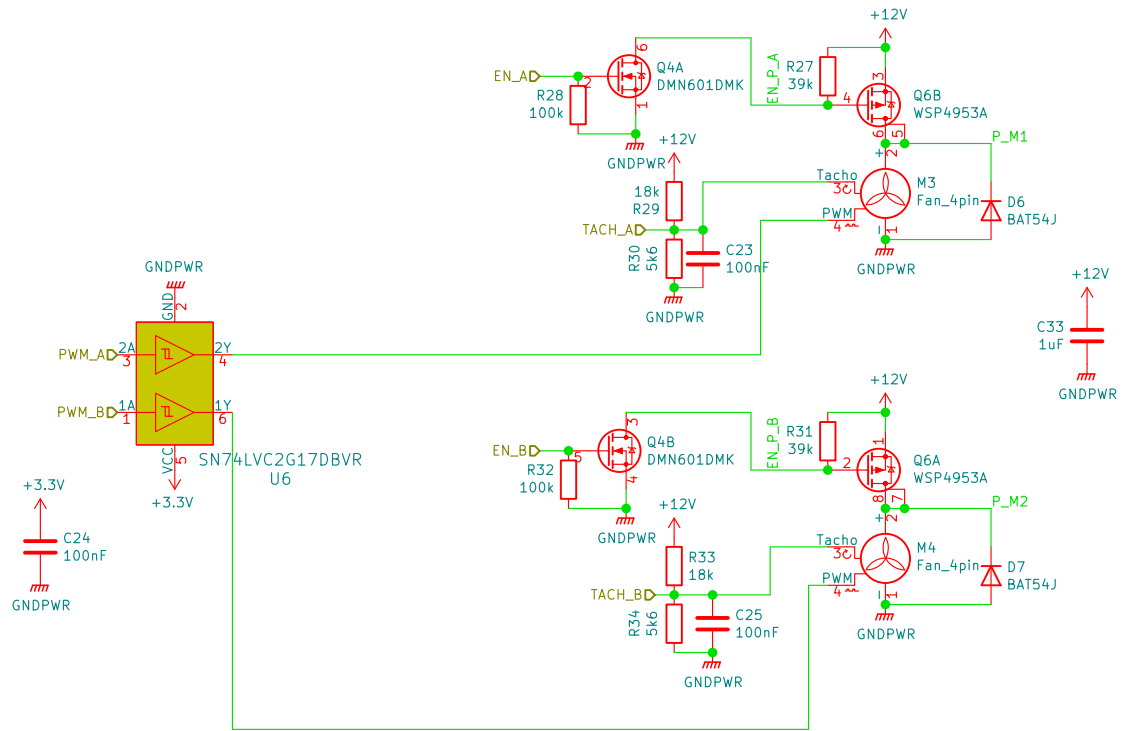
Sheet: /Ch_12/
 File: PWM_Out.sch

Title:

Size: A4
 KiCad E.D.A. kicad (5.1.6)-1

Date:

Rev:
 Id: 5/8



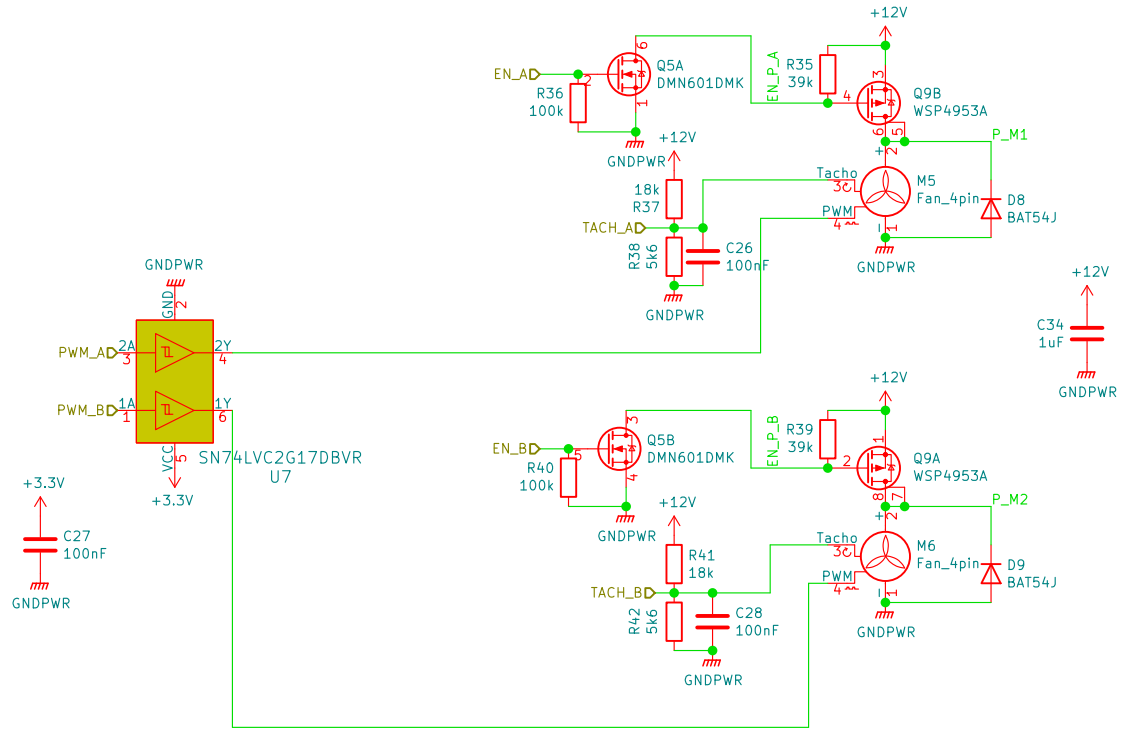
Sheet: /CH_34/
 File: PWM_Out.sch

Title:

Size: A4
 KiCad E.D.A. kicad (5.1.6)-1

Date:

Rev:
 Id: 6/8



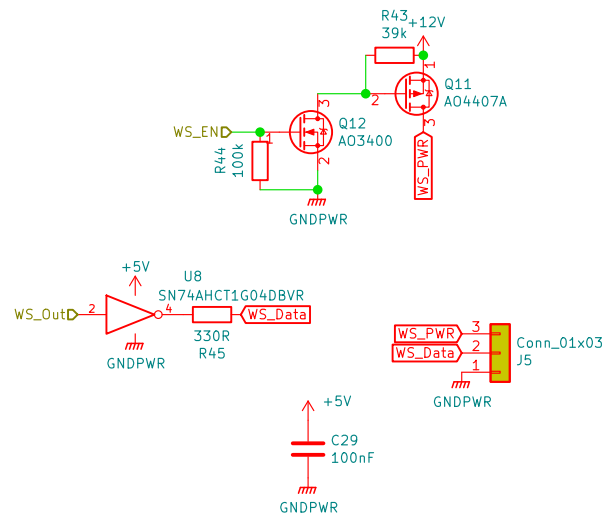
Sheet: /CH_56/
File: PWM_Out.sch

Title:

Size: A4
KiCad E.D.A. kicad (5.1.6)-1

Date:

Rev:
Id: 7/8



Sheet: /WS281X/
 File: WS281x.sch

Title:

Size: A4 Date:
 KiCad E.D.A. kicad (5.1.6)-1

Rev:
 Id: 8/8