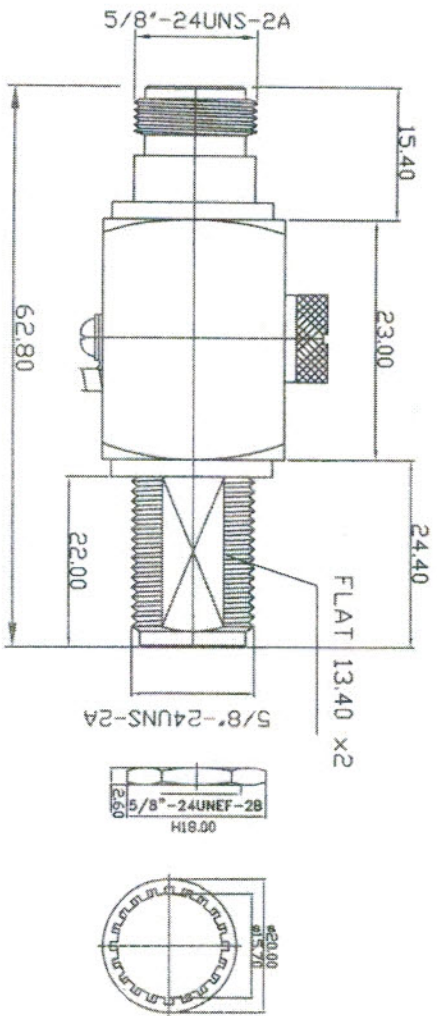


REV	DESCRIPTION	DRAWN	DATE

LIGHTNING PROTECTOR 0-6GHZ N FEMALE TO N FEMALE BULKHEAD(D-RING)

- Frequency : 0 - 6 GHz
- VSWR : 1:1.6 max
- Insertion Loss : < 0.7
- Impedence : 50 Ohm
- Gas Tube DC Breakdown Voltage : 230V
- Impulse Breakdown Voltage : <=700V
- Insulation Resistance : >=10000 M Ohm
- Surge Discharge Current : 10KA
- RF Power Rating : 15W



N FEMALE                      N FEMALE BULKHEAD(D-RING)

1. REMOVE ALL BURRS. 2. BREAK ALL CORNERS & EDGES CO.15 MAX. 3. CHAMFER 1ST & LAST THREADS 45°. 4. DIAMETERS ON COMMON CENTERS. 5. ALL DIMENSIONS ARE AFTER PLATING.	* MAJOR DIMENSION UNLESS OTHERWISE NOTED TOLERANCES 0.5-6 = ±0.2 6-30 = ±0.4 30-120 = ±0.6 120-315 = ±1.0 ANGLES = ±1°	APPROVED CHECKED DRAWN andrew	TITLE LIGHTNING PROTECTOR 0-6GHZ N FEMALE TO N FEMALE BULKHEAD(D-RING) DRAWING NO LP-60-13-05
UNLESS OTHERWISE SPECIFIED	SCALE 1/1	UNIT MM	DRAWN DATE 04/01/31 FILE NO

Mauritz Communication & Electronics  
D-55268 Nieder-Olm

REV A