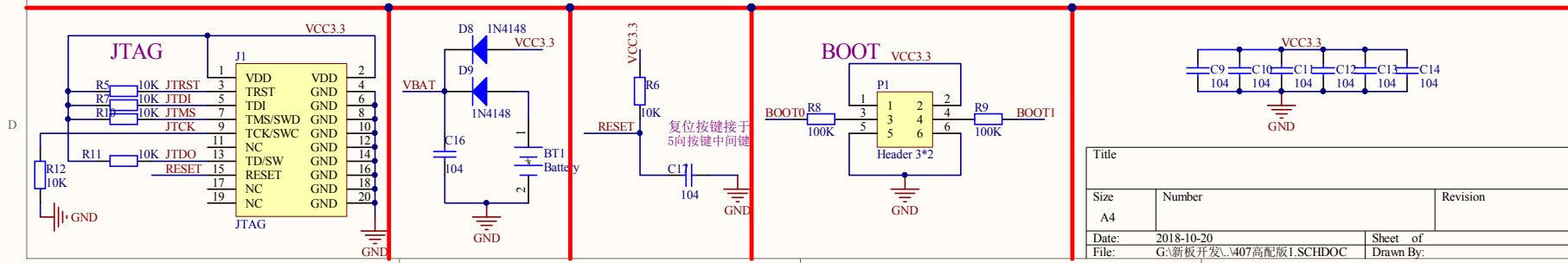
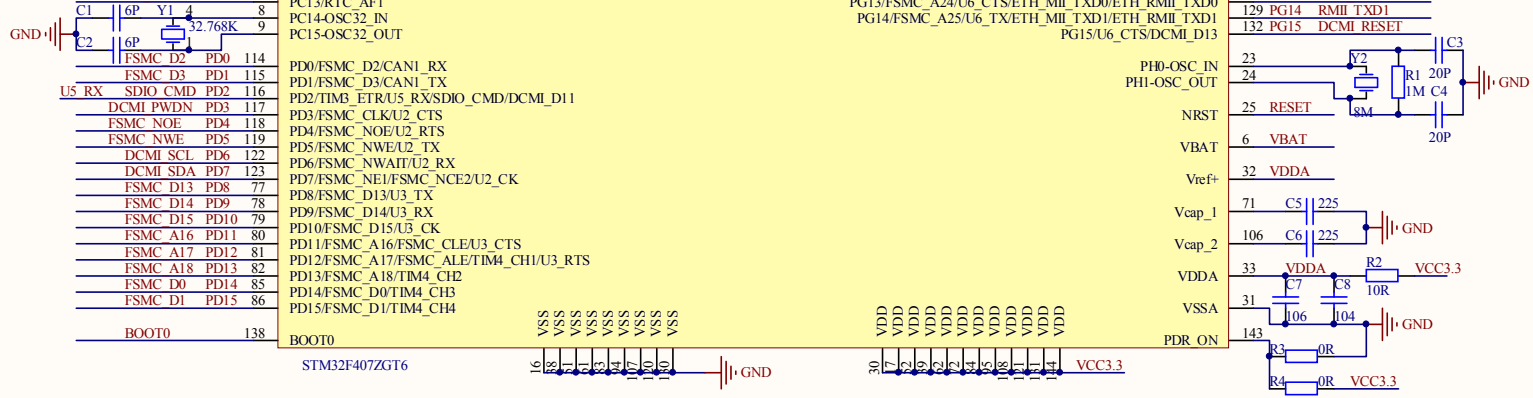
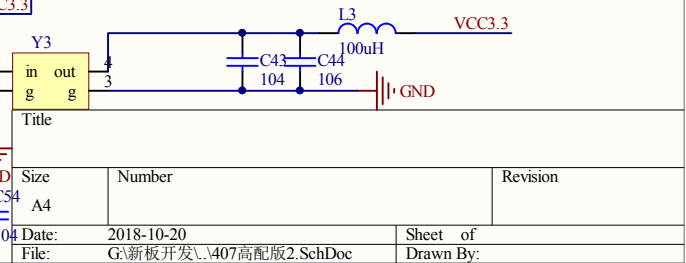
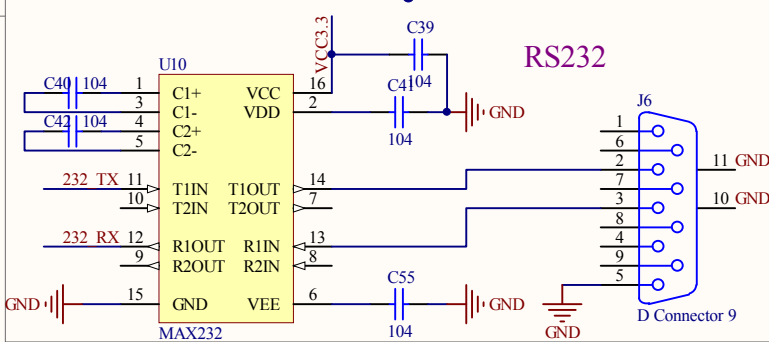
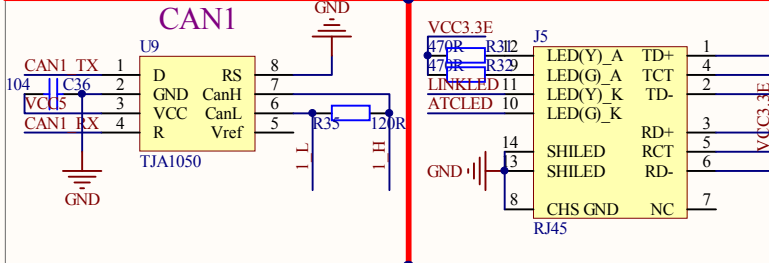
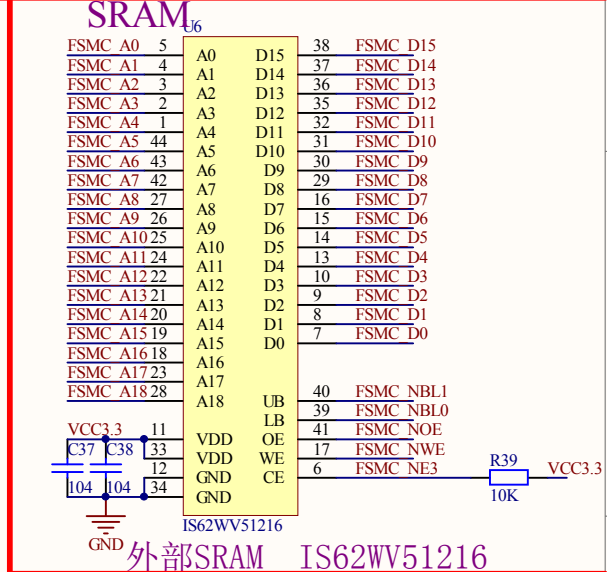
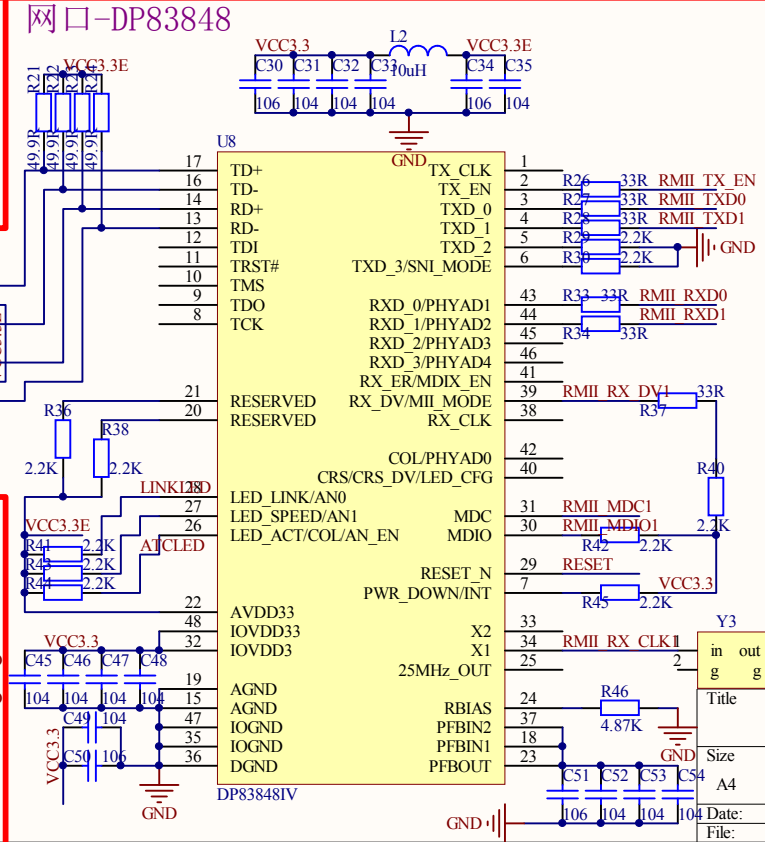
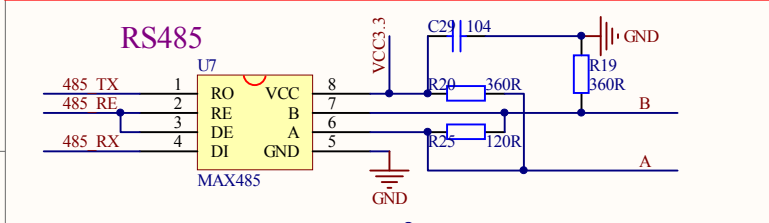
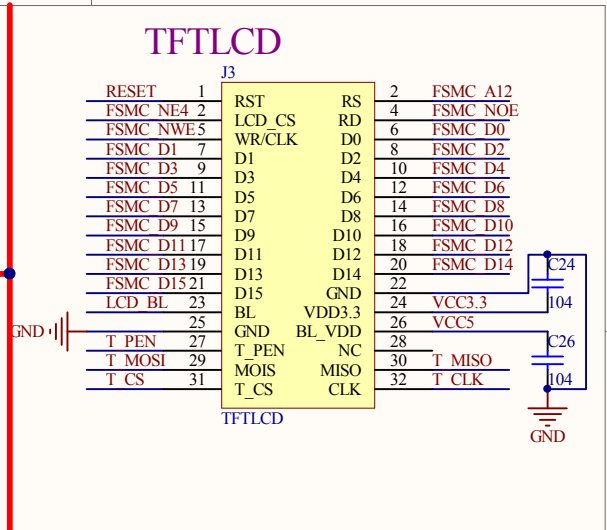
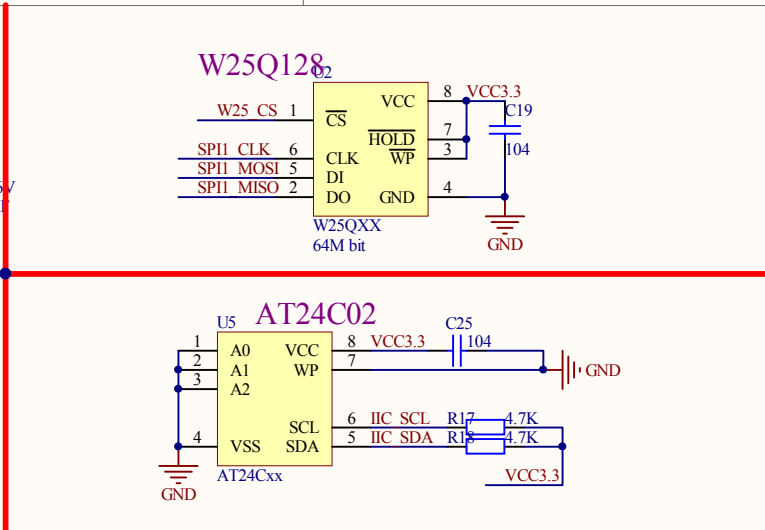
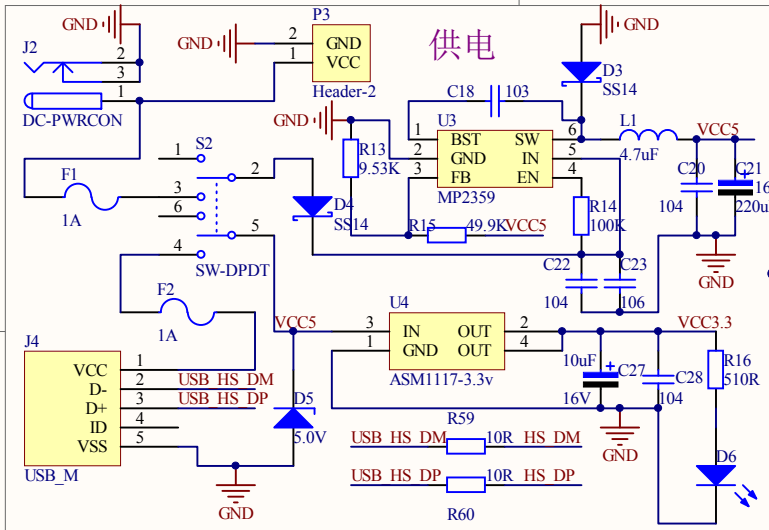


USART4 TX PA0 34	PA0-WKUP/U2_CTS/U4_TX/ETH_MII_CRS/TIM2_CH1_ETR/TIM5_CH1/TIM8_ETR/ADC123_IN0	PE0/TIM4_ETR/FSMC_NBL0/DCMI_D2	141 PE0 FSMC NBL0
USART4 RX PA1 35	PA1/U2_RT/S/U4_RX/ETH_RMII_REF_CLK/ETH_MII_RX_CLK/TIM2_CH2/TIM5_CH2/ADC123_IN1	PE1/FSMC_NBL1/DCMI_D3	142 PE1 FSMC NBL1
RMII MDIO USART2 TX PA2 36	PA2/U2_TX/TIM2_CH3/TIM5_CH3/TIM9_CH1/ETH_MDIO/ADC123_IN2	PE2/TRACECLK/FSMC_A23/ETH_MII_TXD3	1 PE2 HS0038
USART2 RX PA3 37	PA3/U2_RX/TIM2_CH4/TIM5_CH4/TIM9_CH2/OTG_HS_ULPI_D0/ETH_MII_COL/ADC123_IN3	PE3/TRACE0/FSMC_A19	2 PE3 LED0
WM DAC DCMII HREF PA4 40	PA4/SPI1_NSS/U2_CK/DCMI_HSYNC/OTG_HS_SOF/I2S3_WSDAC1_OUT/ADC12_IN4	PE4/TRACED1/FSMC_A20/DCMI_D4	3 PE4 LED1
T CLK PA5 41	PA5/SPI1_SCK/OTG_HS_ULPI_CK/TIM2_CH1_ETR/TIM8_CH1N/DAC2_OUT/ADC12_IN5	PE5/TRACED2/FSMC_A21/TIM9_CH2/DCMI_D7	4 PE5 DCMII D6
DCMII PCLK PA6 42	PA6/SPI1_MISO/TIM1_BKIN/TIM3_CH1/TIM8_BKIN/TIM13_CH1/DCMI_PIXCLK/ADC12_IN6	PE6/TRACED3/FSMC_A22/TIM9_CH2/DCMI_D7	5 PE6 DCMII D7
RMII RX DV PA7 43	PA7/SPI1_MOSI/TIM1_CH1N/TIM3_CH2/TIM8_CH1N/TIM14_CH1/ETH_MII_RX_DV/ETH_RMII_CRS_DV/ADC12_IN7	PE7/FSMC_D4/TIM1_ETR	58 PE7 FSMC D4
DCMII XCLK PA8 100	PA8/TIM1_CH1/U1_CK/I2C3_SCL/MCO1/OTG_FS_SOF	PE8/FSMC_D5/TIM1_CH1N	59 PE8 FSMC D5
USART1 TX PA9 101	PA9/TIM1_CH2/U1_TX/I2C3_SMBA/OTG_FS_VBUS/DCMI_D0	PE9/FSMC_D6/TIM1_CH1	60 PE9 FSMC D6
USART1 RX PA10 102	PA10/TIM1_CH3/U1_RX/OTG_FS_ID/DCMI_D1	PE10/FSMC_D7/TIM1_CH2N	63 PE10 FSMC D7
USB D- PA11 103	PA11/TIM1_CH4/U1_CTS/CAN1_RX/OTG_FS_DM	PE11/FSMC_D8/TIM1_CH2	64 PE11 FSMC D8
USB D+ PA12 104	PA12/TIM1_ETR/U1_RTS/CAN1_TX/OTG_FS_DP	PE12/FSMC_D9/TIM1_CH3N	65 PE12 FSMC D9
JTMS PA13 105	PA13/TMS_SWDIO	PE13/FSMC_D10/TIM1_CH3	66 PE13 FSMC D10
JTCK PA14 109	PA14/JTCK_SWCLK	PE14/FSMC_D11/TIM1_CH4	67 PE14 FSMC D11
JTDI PA15 110	PA15/JTDI/SPI1_NSS/SP3_NSS/TIM2_CH1_ETR/I2S3_WS	PE15/FSMC_D12/TIM1_BKIN	68 PE15 FSMC D12
T CS PB0 46	PB0/TIM1_CH2N/TIM3_CH3/TIM8_CH2N/OTG_HS_ULPI_D1/ETH_MII_RXD2/ADC12_IN8	PF0/FSMC_A0/I2C2_SDA	10 PF0 FSMC A0
T MOSI PB1 47	PB1/TIM1_CH3N/TIM3_CH4/TIM8_CH3N/OTG_HS_INTN/ETH_MII_RXD3/ADC12_IN9	PF1/FSMC_A1/I2C2_SCL	11 PF1 FSMC A1
T MISO BOOT1 PB2 48	PB2/BOOT1	PF2/FSMC_A2/I2C2_SMBA	12 PF2 FSMC A2
SPI1_CLK JTDO PB3 133	PB3/JTDO/TRACESWO/TIM2_CH2/SPI1_SCK/SP3_SCK/I2S3_CK	PF3/FSMC_A3/ADC3_IN9	13 PF3 FSMC A3
SPI1 MISO JTRST PB4 134	PB4/INTRST/TIM3_CH1/SPI1_MISO/SP3_MISO/I2S3ext_SD	PF4/FSMC_A4/ADC3_IN14	14 PF4 FSMC A4
SPI1 MOSI PB5 135	PB5/TIM3_CH2/SPI1_MOSI/SP3_MOSI/CAN2_RX/I2C1_SMBA/OTG_HS_ULPI_D7/ETH_PPS_OUT/DCMI_D10/I2S3_SD	PF5/FSMC_A5/ADC3_IN15	15 PF5 FSMC A5
DCMII D5 PB6 136	PB6/TIM4_CH1/U1_TX/CAN2_TX/I2C1_SCL/DCMI_D5	PF6/TIM10_CH1/FSMC_NIORD/ADC3_IN4	18 PF6 KEY3
DCMII VSYNC PB7 137	PB7/TIM4_CH2/U1_RX/FSMC_NLI/I2C1_SDA/DCMI_VSYNC	PF7/TIM11_CH1/FSMC_NREG/ADC3_IN5	19 PF7 KEY2
IIC SDA PB9 140	PB8/TIM4_CH3/TIM10_CH1/CAN1_RX/SDIO_D4/ETH_MII_TXD3/I2C1_SCL/DCMI_D6	PF8/TIM13_CH1/FSMC_NIOWR/ADC3_IN6	20 PF8 KEY1
USART3 TX PB10 69	PB9/TIM4_CH4/TIM11_CH1/CAN1_TX/SDIO_D5/SPI2_NSS/I2C1_SDA/DCMI_D7/I2S2_WS	PF9/TIM14_CH1/FSMC_CD/ADC3_IN7	21 PF9 KEY0
USART3 RX PB11 70	PB10/SP2_SCK/TIM2_CH3/U3_TX/I2C2_SCL/OTG_HS_ULPI_D3/I2S2_CK	PF10/FSMC_INTR/ADC3_IN8	22 PF10 LCD BL
I2S LRCK PB12 73	PB11/TIM2_CH4/U3_RX/I2C2_SDA/HS_ULPI_D4/ETH_MII_TX_EN/ETH_RMII_TX_EN	PF11/DCMI_D12	49 PF11 T PEN
I2S SCLK PB13 74	PB12/SP2_NSS/TIM1_BKIN/U3_CK/CAN2_RX/I2C2_SMBA/OTG_HS_ULPI_D5/OTG_HS_ID/ETH_MII_TXD0/ETH_RMII_TXD0/I2S2_WS	PF12/FSMC_A6	50 PF12 FSMC A6 EN
HS DM PB14 75	PB13/SP2_SCK/TIM1_CH1N/U3_CTS/CAN2_TX/OTG_HS_ULPI_D6/OTG_HS_VBUS/ETH_MII_TXD1/ETH_RMII_TXD1/I2S2_CK	PF13/FSMC_A7	53 PF13 FSMC A7 STATAE
HS DP PB15 76	PB14/SP2_MISO/TIM1_CH2N/TIM8_CH2N/TIM12_CH1/U3_RTS/OTG_HS_DM/I2S2ext_SD	PF14/FSMC_A8	54 PF14 FSMC A8 RST
I2S SCK PC0 26	PB15/SP2_MOSI/TIM1_CH3N/TIM8_CH3N/TIM12_CH2/OTG_HS_DP/I2S2_SD	PG0/FSMC_A10	55 PF15 FSMC A9
RMII MDC PC1 27	PC0/OTG_HS_ULPI_STP/ADC123_IN10	PG1/FSMC_A11	56 PG0 FSMC A10
SPI2 MISO I2S SDOUT PC2 28	PC1/ETH_MDC/ADC123_IN11	PG2/FSMC_A12	57 PG1 FSMC A11
SPI2 MOSI I2S SDIN PC3 29	PC2/SPI2_MISO/OTG_HS_ULPI_DIR/ETH_MII_TXD2/I2S2ext_SD/ADC123_IN12	PG3/FSMC_A13	87 PG2 FSMC A12
RMII RXD0 PC4 44	PC3/SPI2_MOSI/OTG_HS_ULPI_NXT/ETH_MII_TX_CLK/I2S2_SD/ADC123_IN13	PG4/FSMC_A14	88 PG3 FSMC A13
RMII RXD1 PC5 45	PC4/ETH_MII_RXD0/ETH_RMII_RXD0/ADC12_IN14	PG5/FSMC_A15	89 PG4 FSMC A14
U6 TX I2S MCLK DCMII D0 PC6 96	PC5/ETH_MII_RXD1/ETH_RMII_RXD1/ADC12_IN15	PG6/FSMC_INT2	90 PG5 FSMC A15
U6 RX DCMII D1 PC7 97	PC6/TIM3_CH1/TIM8_CH1/U6_TX/SDIO_D6/DCMI_D0/I2S2_MCK	PG7/FSMC_INT3/U6_CK	91 PG6 485 RE
SDIO D0 DCMII D2 PC8 98	PC7/TIM3_CH2/TIM8_CH2/U6_RX/SDIO_D7/DCMI_D1/I2S3_MCK	PG8/U6_RTS/ETH_PPS_OUT	92 PG7 BEED
SDIO D1 DCMII D3 PC9 99	PC8/TIM3_CH3/TIM8_CH3/U6_CK/SDIO_D0/DCMI_D2	PG9/FSMC_NE2/FSMC_NCE3/U6_RX	93 PG8 W25 CS
SDIO D2 DCMII D4 PC10 111	PC9/TIM3_CH4/TIM8_CH4/I2C3_SDA/SDIO_D1/DCMI_D3/MCO2/I2S_CKIN	PG10/FSMC_NCE4_1/FSMC_NE3	124 PG9 LED2
SDIO D3 DCMII D5 PC11 112	PC10/SPB_SCK/U3_TX/U4_TX/SDIO_D2/DCMI_D8/I2S3_CK	PG11/FSMC_NCE4_2/ETH_MII_TX_EN/ETH_RMII_TX_EN	125 PG10 FSMC NE3
SDIO CLK U5 TX PC12 113	PC11/SPB_MISO/U3_RX/U4_RX/SDIO_D3/DCMI_D4/I2S3ext_SD	PG12/FSMC_NE4/U6_RTS	126 PG11 RMII TX EN
I2S SDA PC13 7	PC12/SPB_MOSI/U3_CK/U5_TX/SDIO_CK/DCMI_D9/I2S3_SD	PG13/FSMC_A24/U6_CTS/ETH_MII_TXD0/ETH_RMII_TXD0	127 PG12 FSMC NE4
I6P Y1 4 8	PC13/RTC_AF1	PG14/FSMC_A25/U6_TX/ETH_MII_TXD1/ETH_RMII_TXD1	128 PG13 RMII TXD0
I6P Y2 4 9	PC14-OSC32_IN	PG15/U6_CTS/DCMI_D13	129 PG14 RMII TXD1
I6P Y3 4 10	PC15-OSC32_OUT		132 PG15 DCMII RESET
FSMC D2 PD0 114	PD0/FSMC_D2/CAN1_RX	PH0-OSC_IN	23
FSMC D3 PD1 115	PD1/FSMC_D3/CAN1_TX	PH1-OSC_OUT	24
DCMII PWDN PD3 117	PD2/TIM3_ETR/U5_RX/SDIO_CMD/DCMI_D11	NRST	25
FSMC NOE PD4 118	PD3/FSMC_CLK/U2_CTS	VBAT	6
FSMC NWE PD5 119	PD4/FSMC_NOE/U2_RTS	Vref+	32
DCMII SCL PD6 122	PD5/FSMC_NWE/U2_TX	Vcap_1	71
DCMII SDA PD7 123	PD6/FSMC_NWAIT/U2_RX	Vcap_2	106
FSMC D13 PD8 77	PD7/FSMC_NE1/FSMC_NCE2/U2_CK	VDDA	33
FSMC D14 PD9 78	PD8/FSMC_D13/U3_TX	VSSA	31
FSMC D15 PD10 79	PD9/FSMC_D14/U3_RX	PDR_ON	143
FSMC A16 PD11 80	PD10/FSMC_D15/U3_CK		
FSMC A17 PD12 81	PD11/FSMC_A16/FSMC_CLE/U3_CTS		
FSMC A18 PD13 82	PD12/FSMC_A17/FSMC_ALE/TIM4_CH1/U3_RTS		
FSMC D0 PD14 85	PD13/FSMC_A18/TIM4_CH2		
FSMC D1 PD15 86	PD14/FSMC_D0/TIM4_CH3		
	PD15/FSMC_D1/TIM4_CH4		
BOOT0 138	BOOT0		

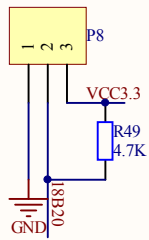


Title		
Size	Number	Revision
A4		
Date:	2018-10-20	Sheet of
File:	G:\新版开发\407高配版1.SCHDOC	Drawn By:

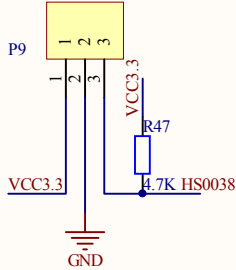


Date:	2018-10-20	Sheet of
File:	G:\新板开发\407高配版2.SchDoc	Drawn By:

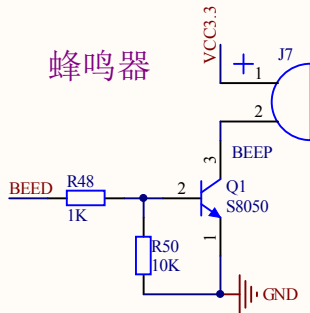
### DS18B20



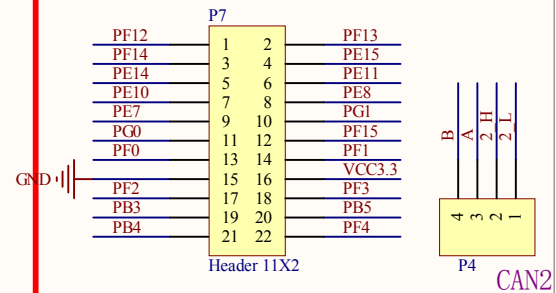
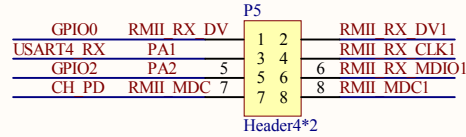
### HS0038



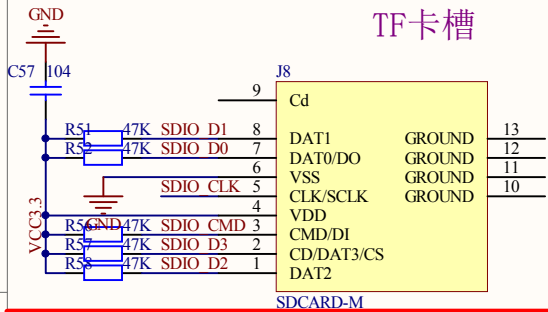
### 蜂鸣器



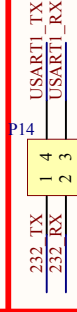
### 网口与wifi公用IO口选择



### TF卡槽



### 串口1



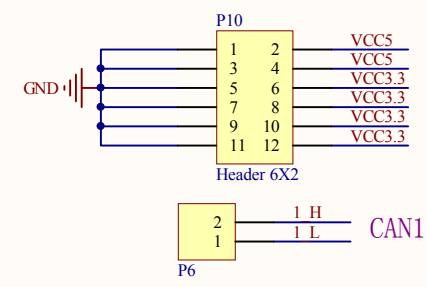
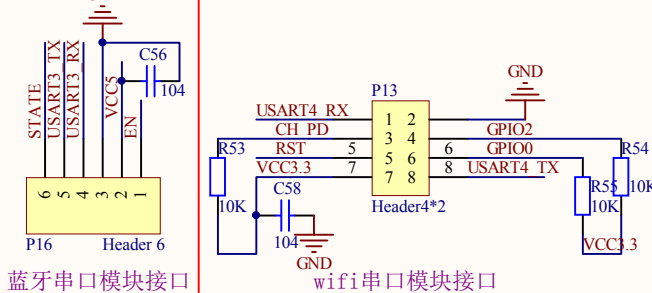
### 串口5



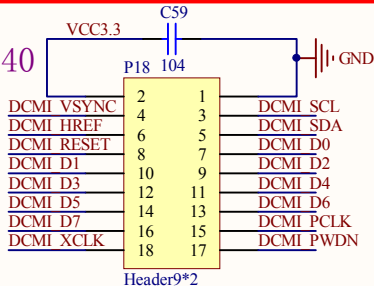
### 串口3



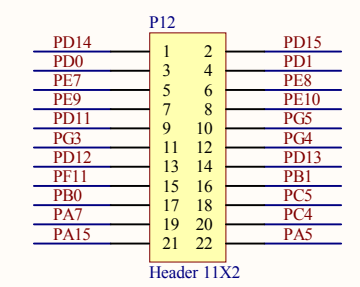
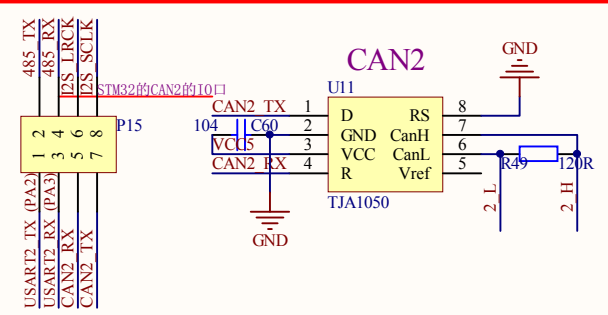
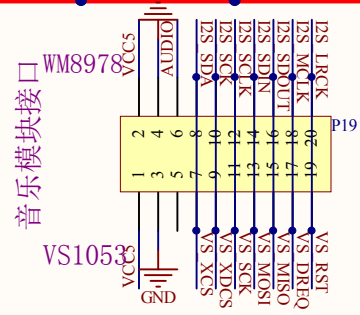
### 串口4蓝牙WIFI模块



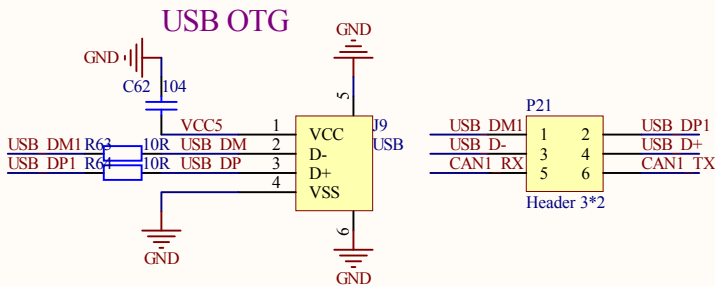
### OV2640



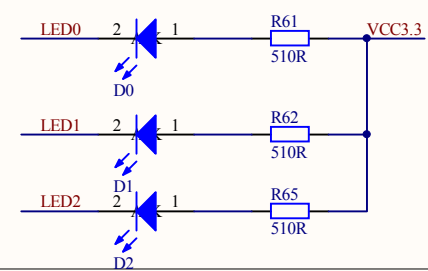
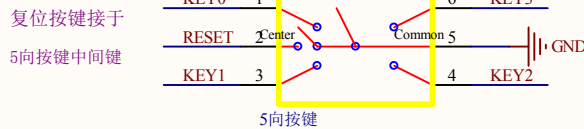
### 音乐模块接口



### USB OTG



### 5向按键



Title		
Size	Number	Revision
A4		
Date:	2018-10-20	Sheet of
File:	G:\新板开发\407高配版3.SchDoc	Drawn By: