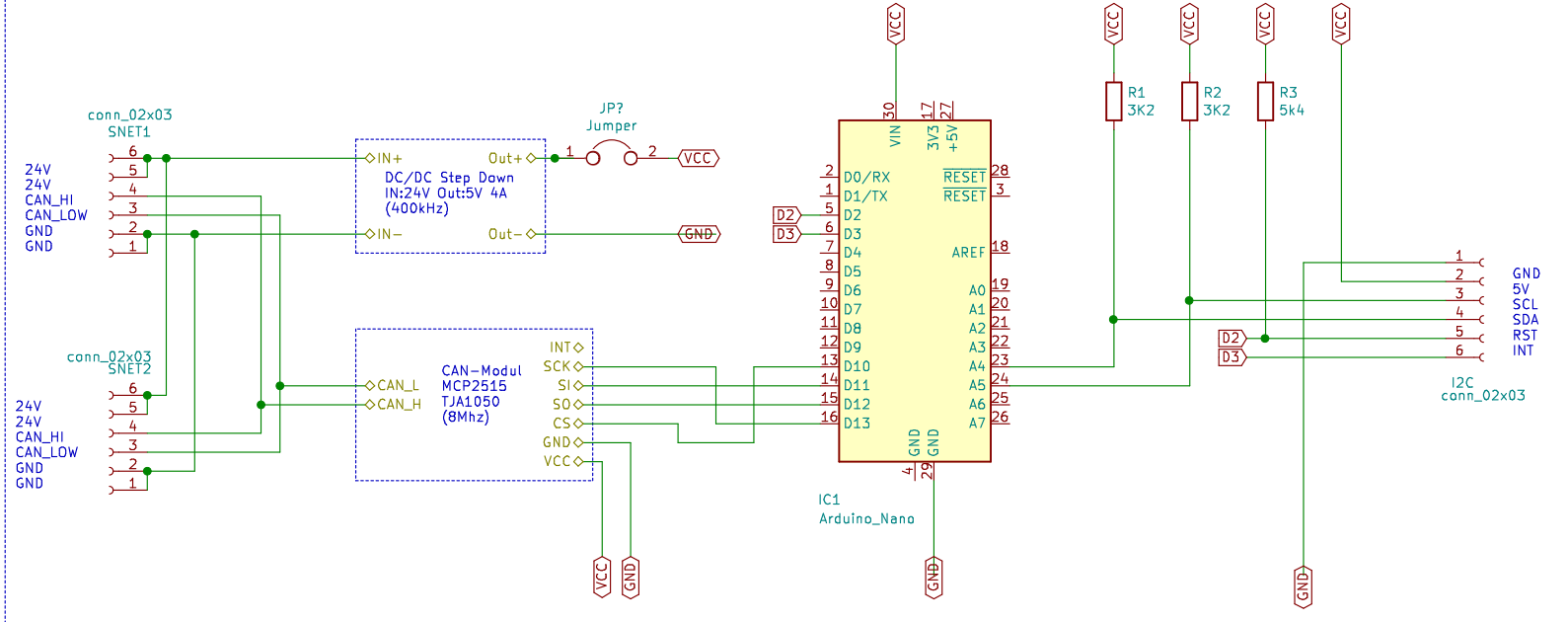
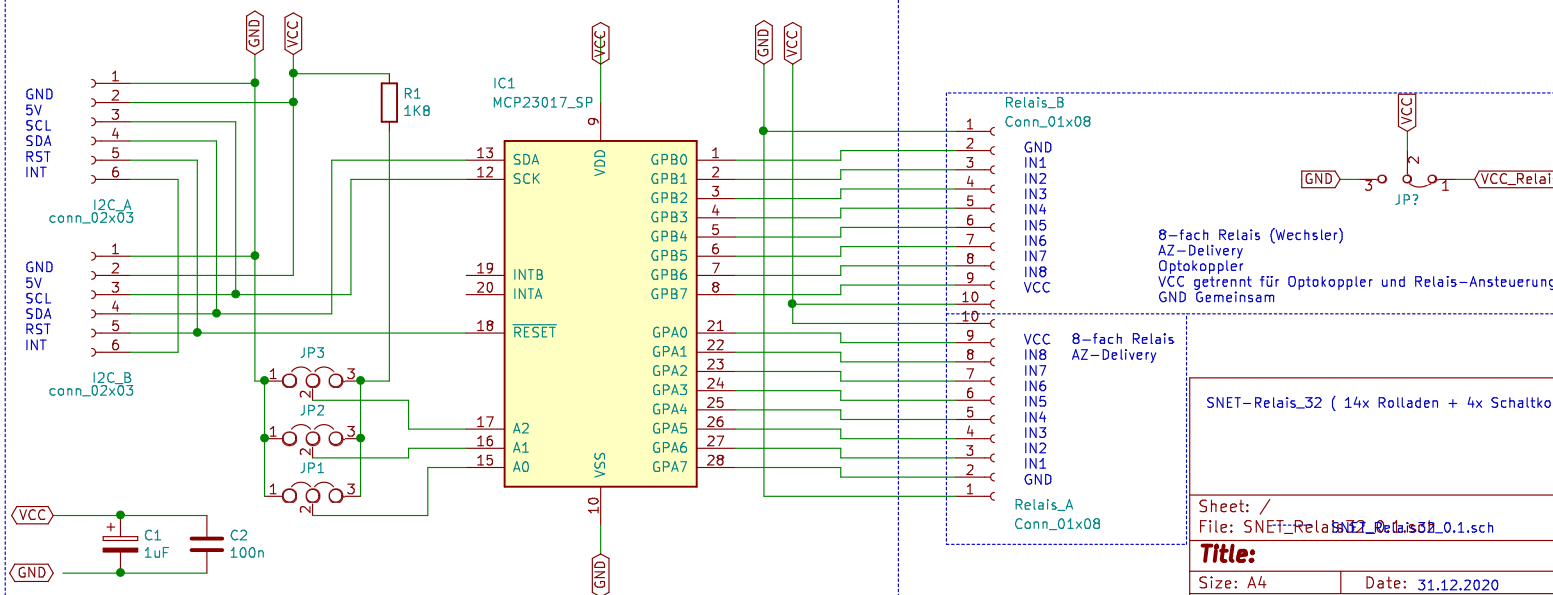


SNET Teilnehmer – CAN Sensor



Relais Expander (2x in Reihe)



SNET-Relais_32 (14x Rolladen + 4x Schaltkontakt)

Sheet: /
File: SNET-Relais_32_01.sch

Title:

Size: A4 Date: 31.12.2020

KiCad E.D.A. kicad 5.1.5+dfsg1-2build2

Rev: 0.1

Id: 1/1