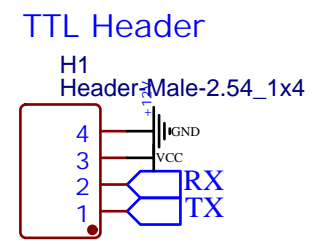
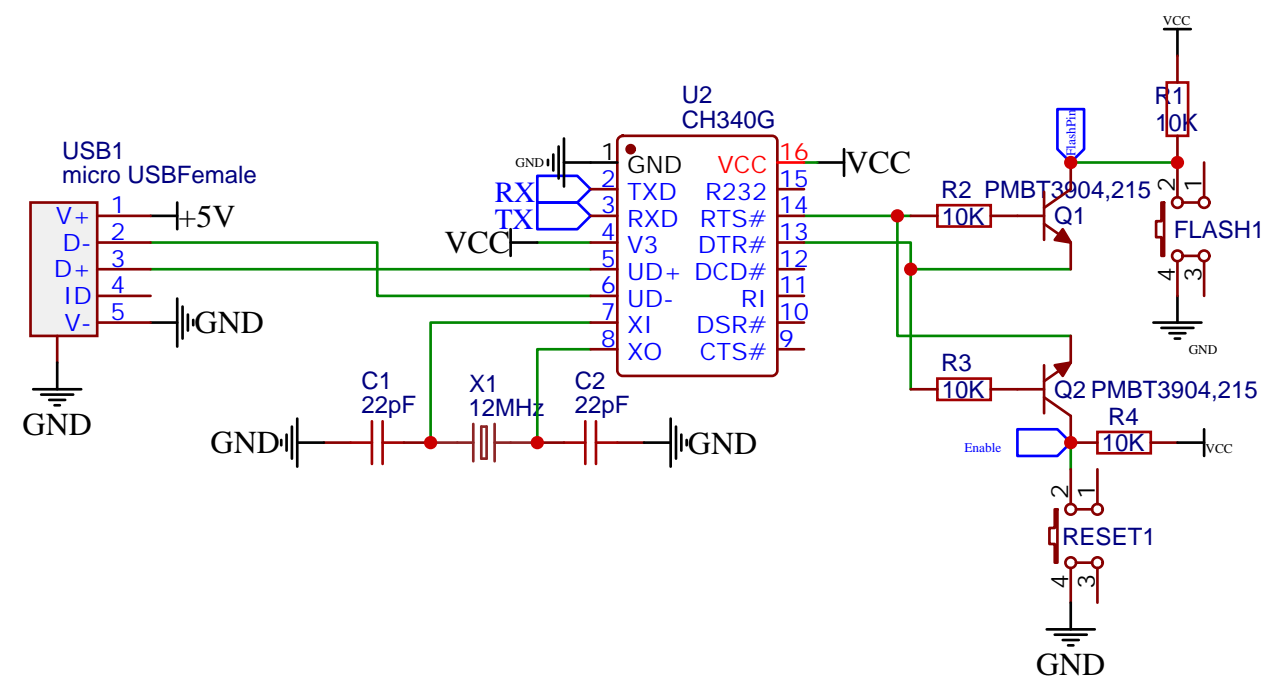


TITLE:	Version 3	REV:	1.0
EasyEDA	Company:	Your Company	Sheet:
	Date:	2020-07-28	Drawn By:
		hafenhuhn	



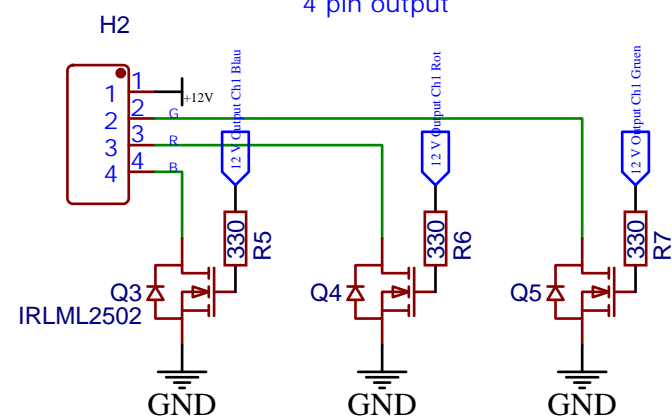
USB controller



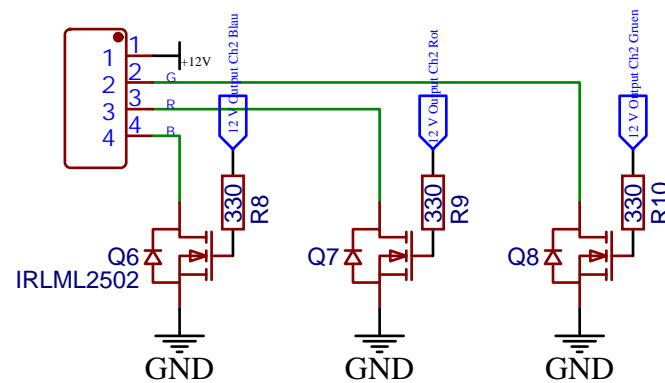
TITLE: Sheet_1		REV: 1.0
	Company: Your Company	Sheet: 1/1
	Date: 2020-11-15	Drawn By: hafenhuhn

Curved round mothers1*4P

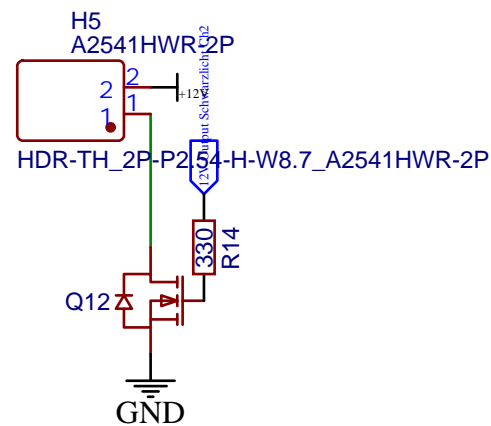
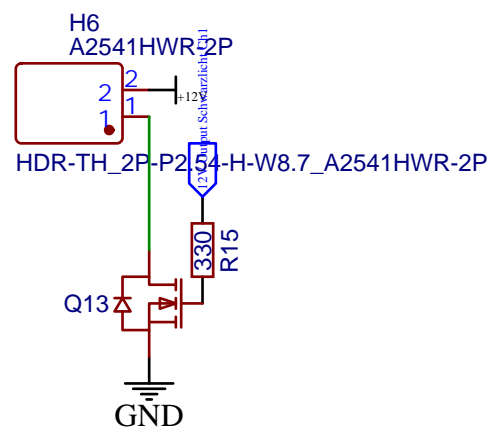
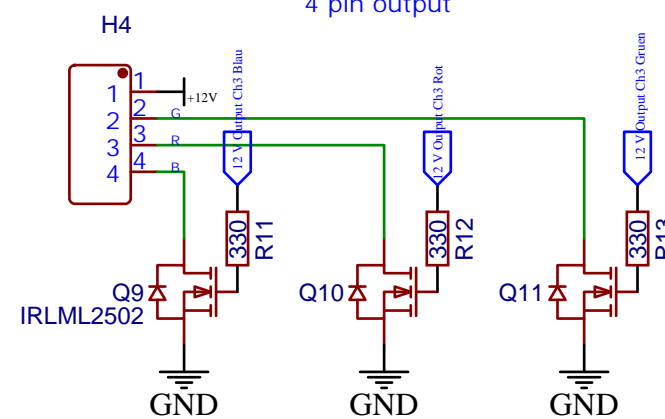
4 pin output



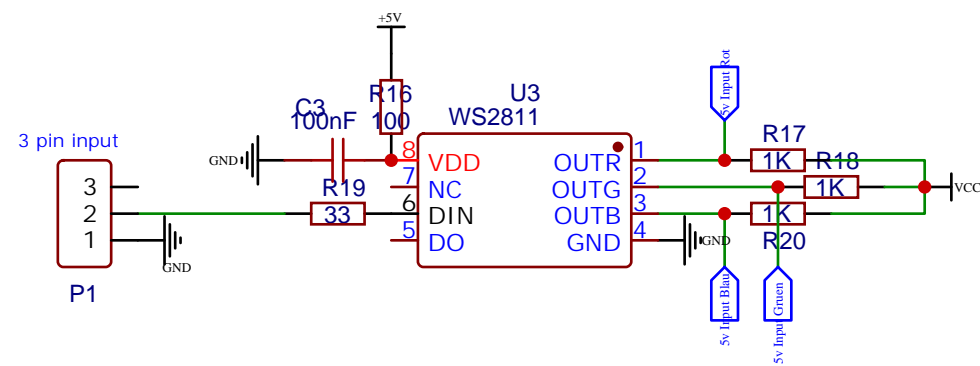
H3 4 pin output



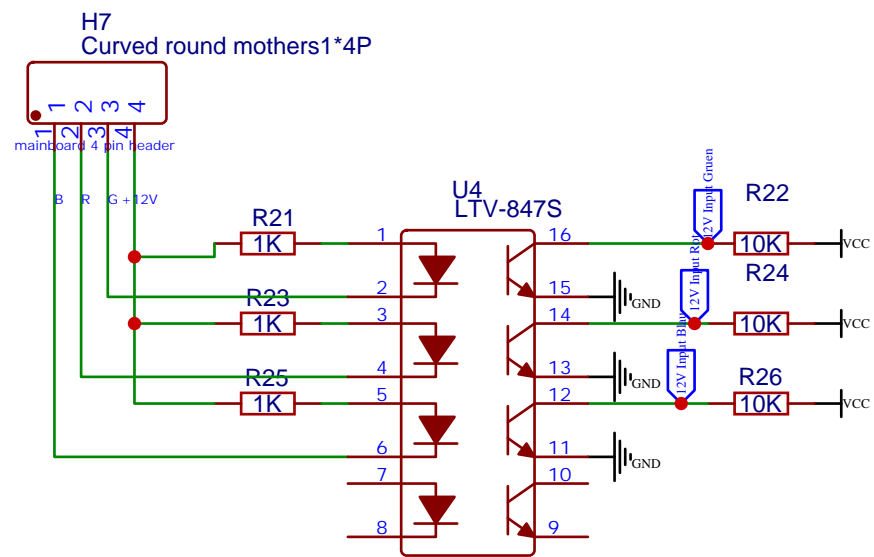
4 pin output




TITLE: Sheet_1	REV: 1.0
Company: Your Company	Sheet: 1/1
Date: 2020-11-15	Drawn By: hafenhuhn

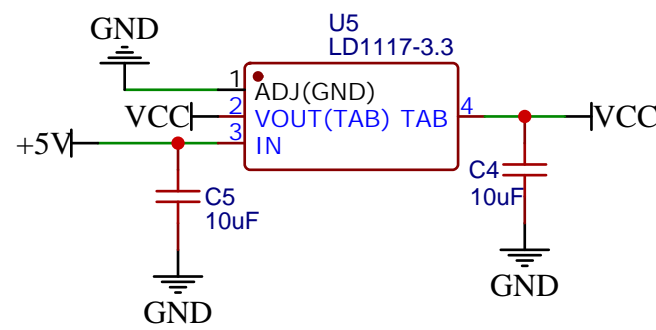
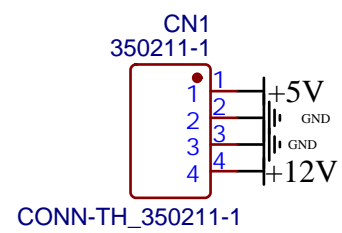


TITLE: Sheet_1		REV: 1.0
	Company: Your Company	Sheet: 1/1
	Date: 2020-11-15 Drawn By: hafenhuhn	

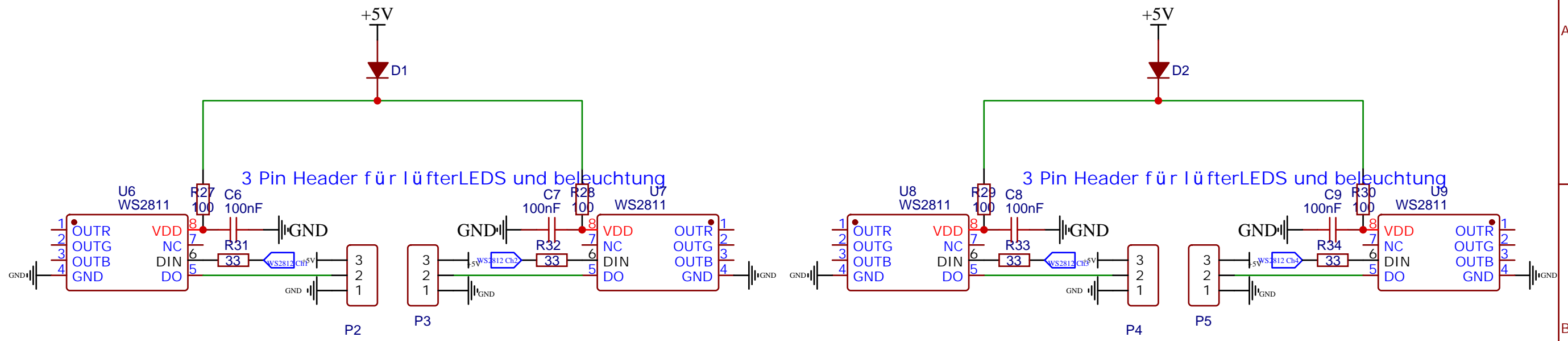



TITLE: Sheet_1		REV: 1.0
	Company: Your Company	Sheet: 1/1
	Date: 2020-11-15 Drawn By: hafenhuhn	

Molexstecker für Stromversorgung



TITLE: Sheet_1		REV: 1.0
	Company: Your Company	Sheet: 1/1
	Date: 2020-11-15 Drawn By: hafenhuhn	



TITLE: Sheet_1		REV: 1.0
	Company: Your Company	Sheet: 1/1
	Date: 2020-11-15 Drawn By: hafenhuhn	