

## 9. POWER SUPPLY UNIT (A6)

Basically, the power supply unit consists of:

- input circuit
- converter circuit
- secondary output rectifiers
- HT supply
- CAL oscillator
- CRT control circuit

### 9.1 INPUT CIRCUIT

The instrument may be powered from a nominal mains voltage of 90 V...264 V a.c.

The mains voltage is primary protected by a fuse of 1 AT, which is located on the rear of the instrument.

After rectification by the diode bridge V6001...V6004 a d.c. voltage is applied to the converter circuit.

This voltage is smoothed by capacitors C6007, C6008 and three chokes. Depending on the mains voltage, the rectified voltage is 120 V...370 V.

A fixed part of the mains voltage serves as a LINE-trigger signal. The amplitude of the LINE trigger signal is  $1/22 \times \text{MAINS}$ .

NOTE: The LINE trigger signal is not present when a d.c. voltage serves as MAINS.

### 9.2 CONVERTER CIRCUIT (see figure 9.1 and figure 9.2)

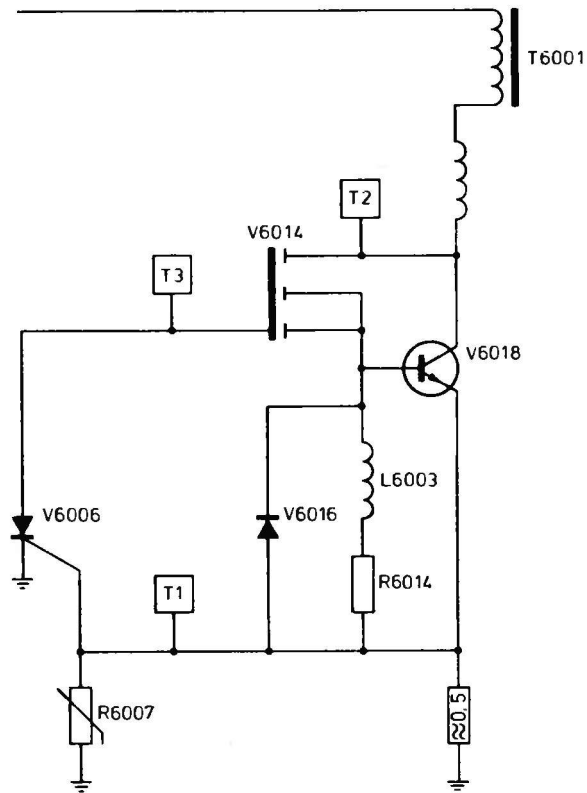
The flyback converters consists of transistor V6014 and V6018 and their associated components. The converter frequency depends on the LINE IN amplitude and is for 110 Vac: 30 kHz approx. For 220 Vac: 45 kHz approx.

Transistors V6014 and T6018 conduct on the forward stroke and charge transformer T6001. The thyristor V6013 fires when the voltage on the gate reaches the firing level (0,6 V approx). Consequently, V6018 blocks - V6014 blocks, for the duration of the flyback stroke, during which the secondary windings discharge via the diode rectifiers into the smoothing capacitors. The NTC resistor R6009 provides temperature compensation for the firing point of the thyristor.

During the flyback, capacitor C6009 charges again via the path T6001-1, V6012, V6009, R6004, C6009 and T6001-2.

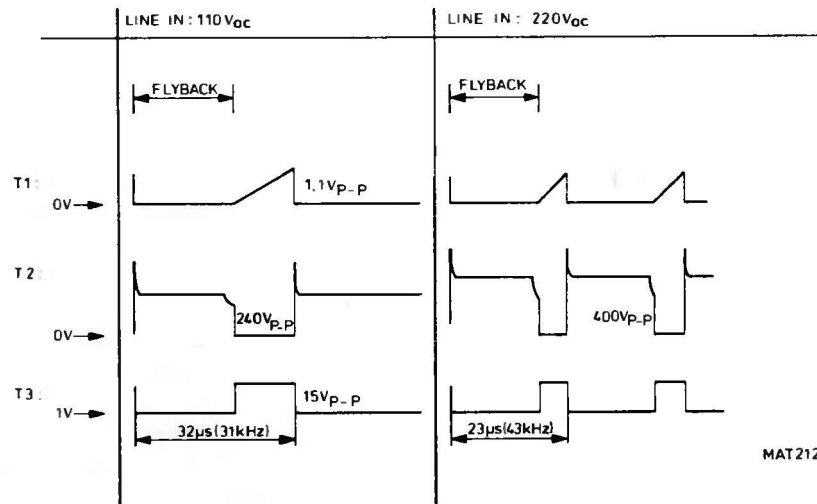
The voltage stabilizer with transistor V6009 gives a square-wave to the gate of transistor V6014 with a maximum amplitude of 15 V.

The dv/dt limiter with L6004, L6006, V6017 and V6019 serves to eliminate the switching spikes present on the collector of V6018 (measuring point X46).



MAT2119  
860214

Figure 9.1 Converter circuit



MAT2120

Figure 9.2 Timing diagram converter circuit

### 9.3 SECONDARY OUTPUT RECTIFIERS

The output voltages taken from the secondary windings of transformer T6001 are rectified by diodes and smoothed by capacitors in conventional circuits.

A "CROWBAR" circuit with transistor V6137 and V6112 protects the +5 V supply.

When the +5 V level is too high, transistor V6137 (and V6112) conduct and the power supply goes into short circuit mode.

A voltage protection circuit using V6134, V6136 and V6112 protects against overloads protection. When the power supply is overloaded, these components conduct and the power supply goes into in the short-circuit mode.

### 9.4 HT SUPPLY

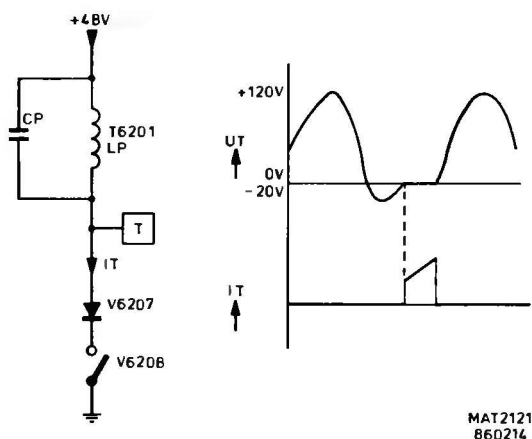


Figure 9.3 HT oscillator

The HT supply consists of an oscillator and a regulator circuit. Transformer T6201 determines the frequency (50 kHz approx.) of the oscillator. The output signal voltage on the secondary winding of T6201 is rectified by diode V6209 and smoothed by C6211. The -2,1 kV is also converted to +14,5 kV in the HT multiplier D6201 and routed via connector X6030 to the post-acceleration anode of the CRT.

To regulate this HT voltage the -2 kV is fed to the input of OP-AMP N6002.

The output level of N6002 determines the energy to T6201, and thus the amplitude of the HT-voltage.

### 9.5 CALIBRATOR

The calibrator circuit consists of two analogue switches D6501(8-9) and D6501(11-12) controlled by the active HIGH enable inputs 6 and 12 respectively, that are connected as an 2 kHz astable oscillator. Capacitor C6502 and resistor R6504 determine the 2 kHz frequency. The oscillator outputs, applied to enable inputs 5 and 13 of the second stage are in anti-phase with each other. Depending on the level of input 5 and 13, the CAL voltage will have a 1,2 V level or a 0 V level.



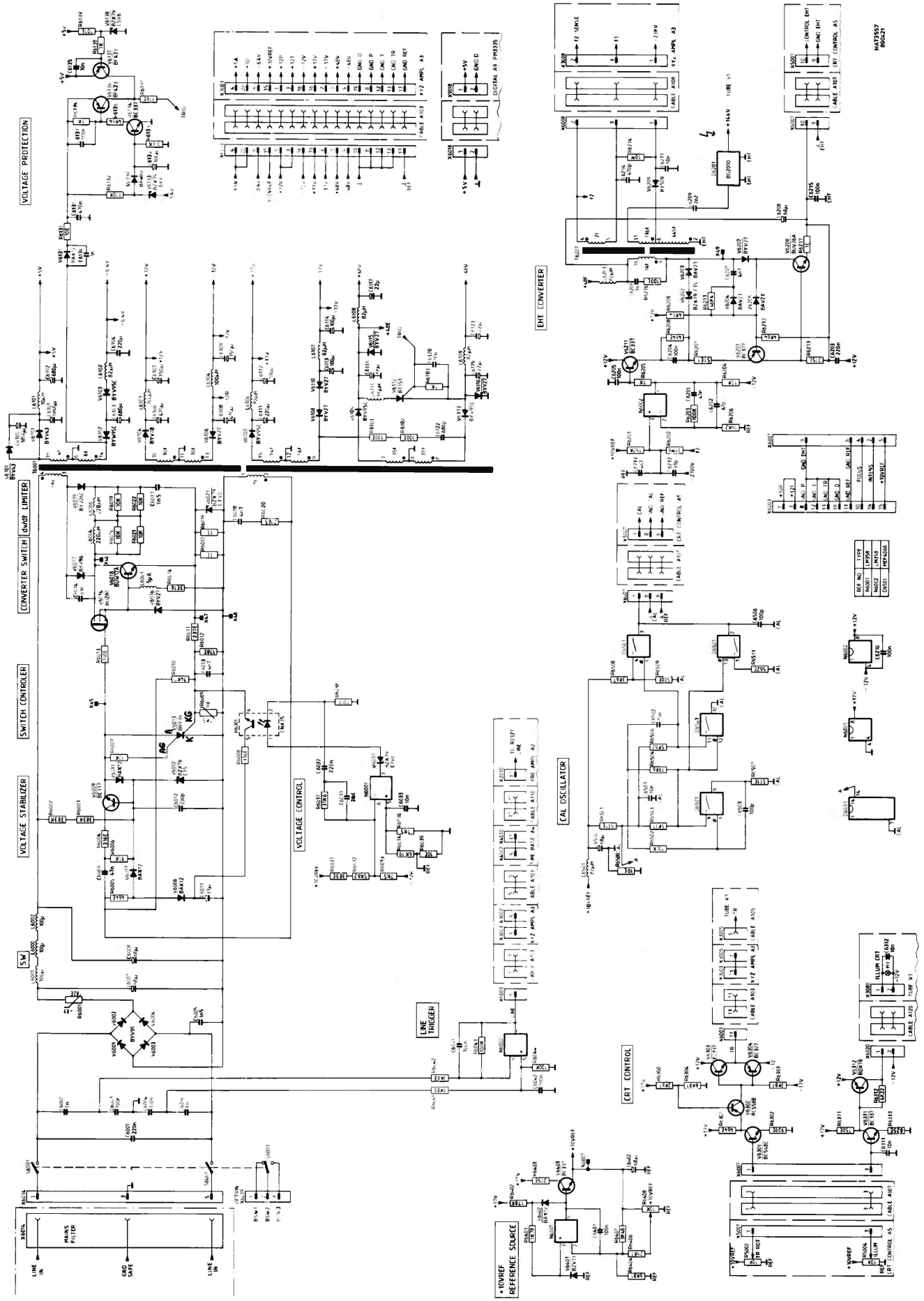


Figure 9.5 Circuit diagram of power supply