

Sheet: PIC32MZBOARD_01

200_MCU

File: PIC32MZBOARD_01.sch

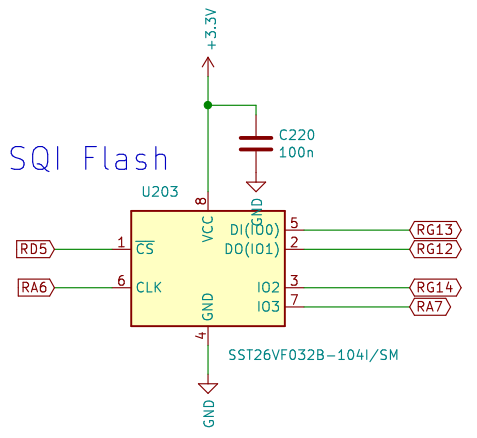
Sheet: 300_LAN

300_LAN

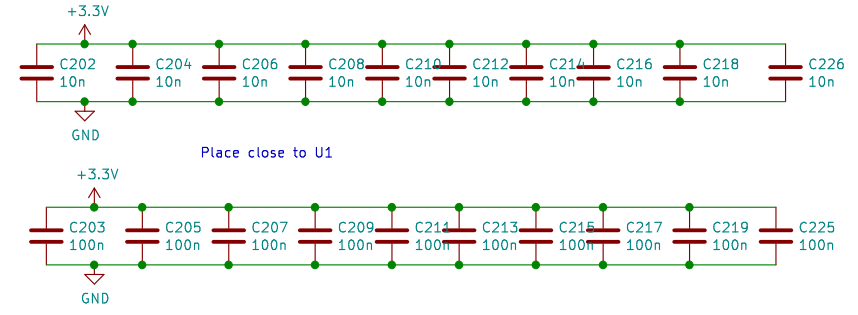
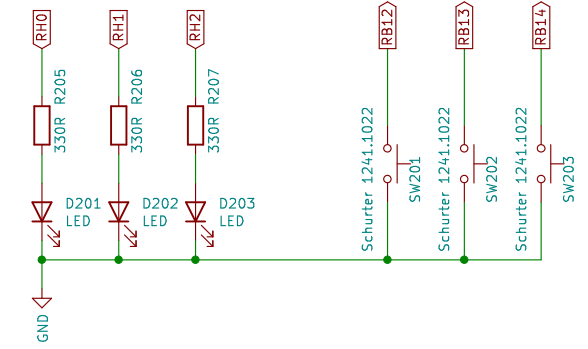
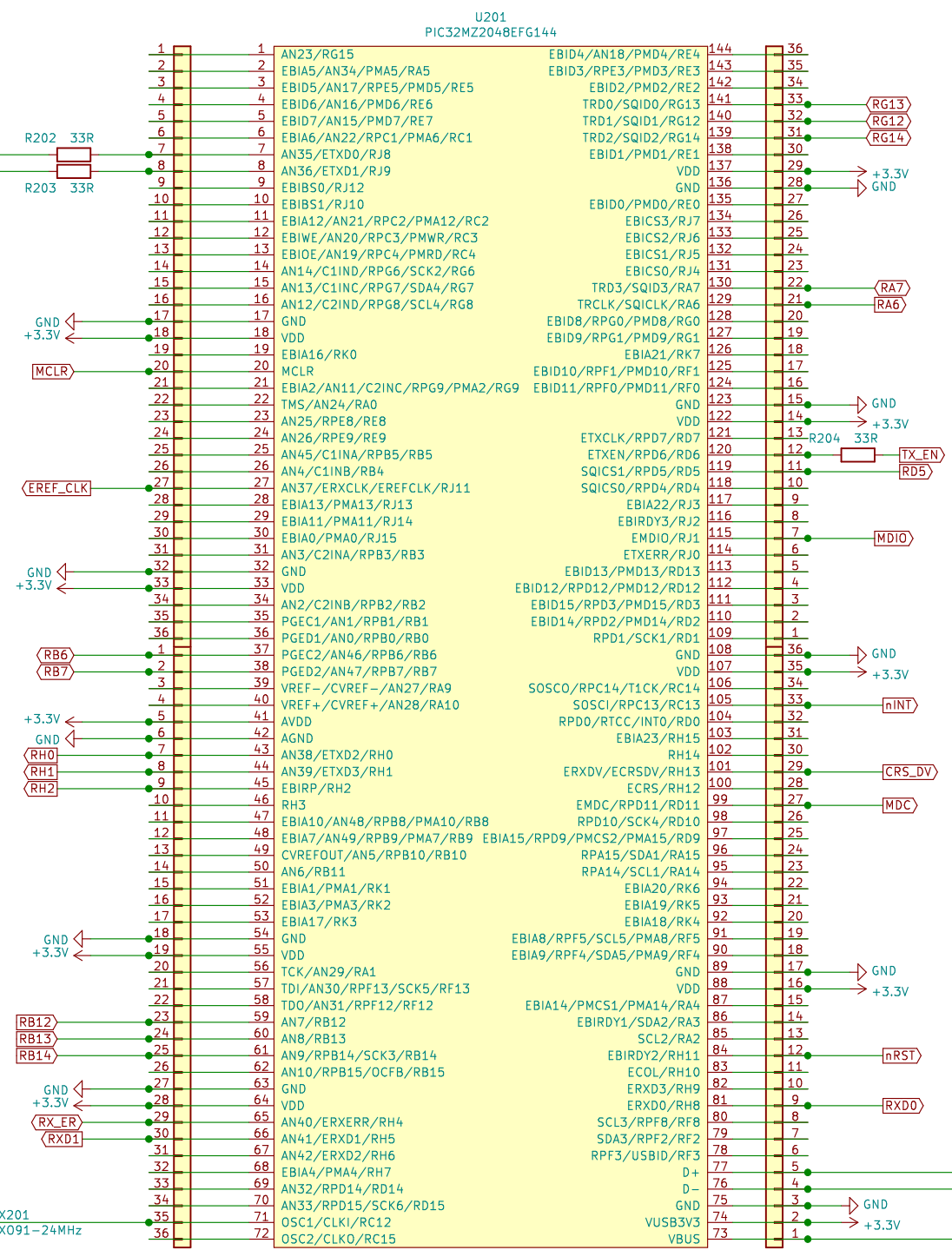
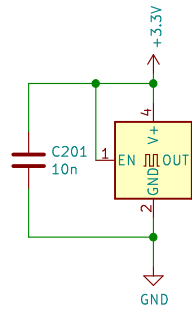
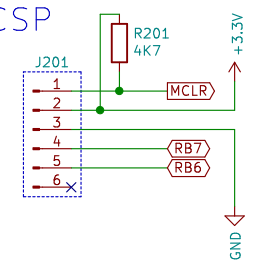
File: 300_LAN.sch

Sheet: /		
File: PIC32MZBOARD.sch		
Title:		
Size: A3	Date:	Rev:
KiCad E.D.A. kicad (5.1.9)-1		Id: 1/3

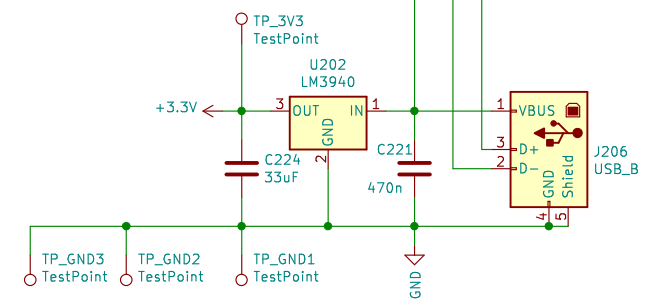
SQI Flash



ICSP



- H1 MountingHole
- H2 MountingHole
- H3 MountingHole
- H4 MountingHole



Sheet: /PIC32MZBOARD_01/ File: PIC32MZBOARD_01.sch		
Title:		
Size: A3	Date:	Rev:
KiCad E.D.A. kicad (5.1.9)-1	Id: 2/3	

