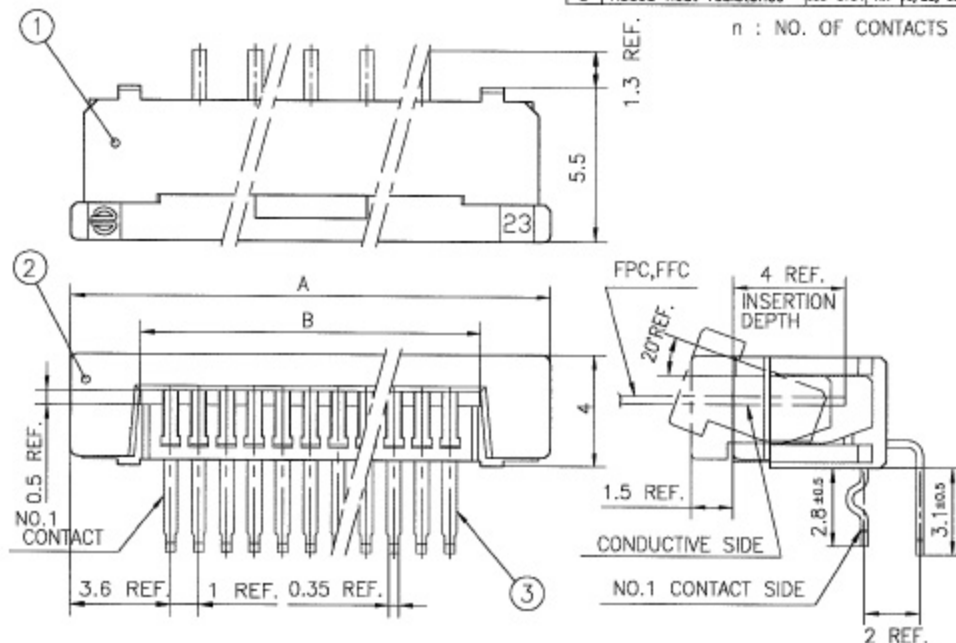


REVISIONS				
REV	DESCRIPTION	ECN	BY	DATE
A	Released	J05-0078	H.T	05/2/18
B	Added heat resistance	J05-0734	H.T	10/28/09

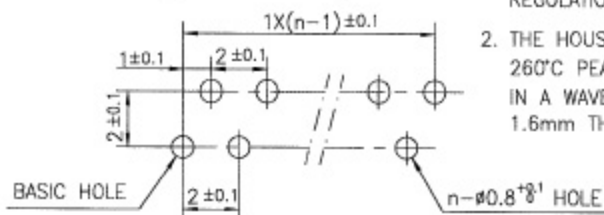


PT.NO.	PARTS NAME	MATERIAL	Q'TY	NOTE
1	HOUSING	NYLON RESIN GLASS REINFORCED (UL94V-0)	1	COLOR : BLACK
2	SLIDER		1	
3	CONTACT	PHOSPHOR BRONZE	n	PLATING : MATTE PURE TIN (LEAD FREE)

RECOMMENDED PC BOARD

THICKNESS : 0.8~1.6

HOLE PATTERN (COMPONENT SIDE)



1. THIS PRODUCT MEETS EUROPEAN UNION DIRECTIVES AND OTHER COUNTRY REGULATIONS AS DESCRIBED IN GS-22-008

2. THE HOUSING WILL WITHSTAND EXPOSURE TO 260°C PEAK TEMPERATURE FOR 10 SECONDS IN A WAVE SOLDER APPLICATION WITH A 1.6mm THICK CIRCUIT BOARD.

SHEET INDEX	ISSUE	B												TITLE					
	SH. NO.	1													1mm SPACING CONNECTOR (Cat. No. SLW__R-1C7LF)				
LINEAR	TOLERANCES UNLESS OTHERWISE SPECIFIED	DR	ENGR	DATE	CUSTOMER COPY	 THIRD ANGLE PROJ.	PRODUCT FAMILY	58JF	CODE JP										
	±0.3	CHK	APP'D	10/21/08	10/21/08					UNIT	MM	SCALE	SIZE	DWG. NO.	REV	SHEET			
				11/18/09	11/18/09					MM	3/8	-	A	JSA 96302	B	0F			