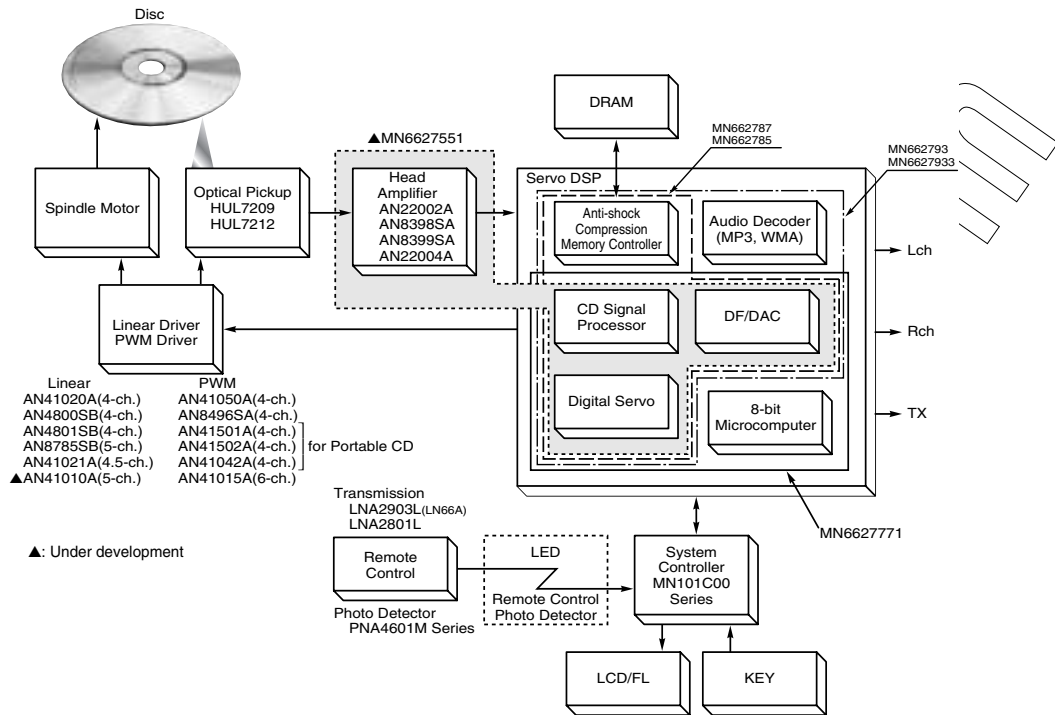


Application Block Diagrams

Audio Applications

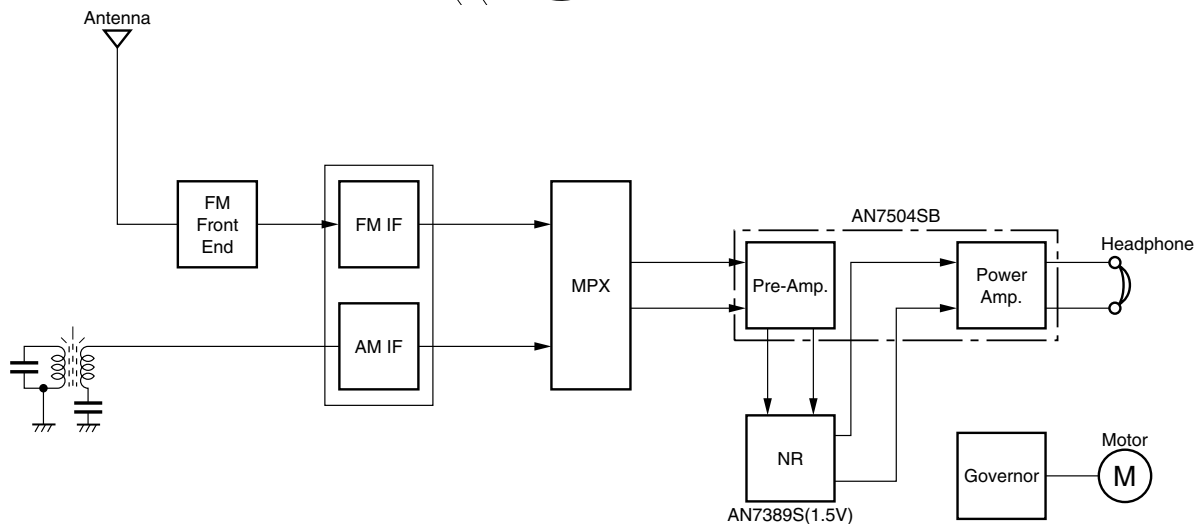
(1) CD Player



Note) The transistors and diodes listed below can be used for the peripheral circuits in this block diagram.

- Transistor: 2SB1218A, 2SD1819A, UNR5000 (UN5000) Series
- Diode: MA2J111 (MA111), MAZ8000 (MA8000) Series

(2) Headphone Stereo/Microcassette/Radio (Headphone Stereo)



Note) The transistors and diodes listed below can be used for the peripheral circuits in this block diagram.

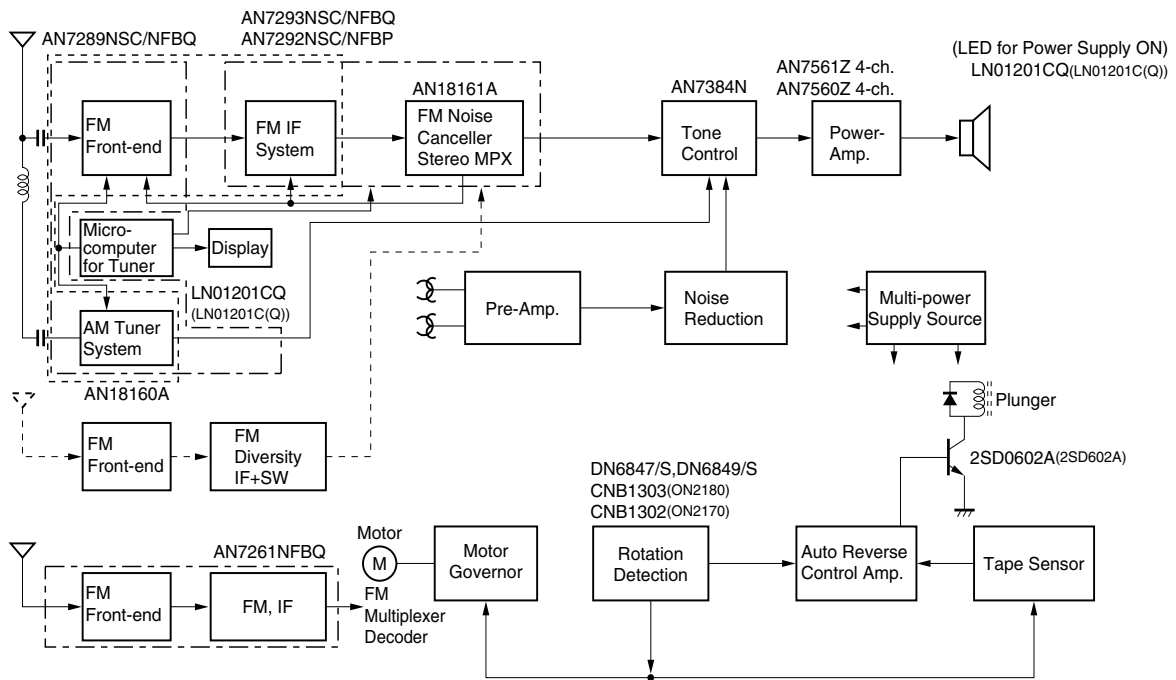
- Transistor: 2SB1462, 2SD2216, UNR9000 (UN9000) Series, etc.
- Diodes: MA2J111 (MA111), MA2J729 (MA729), MA3X720 (MA720), etc.

Note) In the figures, part numbers show the Matsushita unified part numbers. And the part numbers in parentheses show the conventional ones.

Application Block Diagrams

Audio Applications

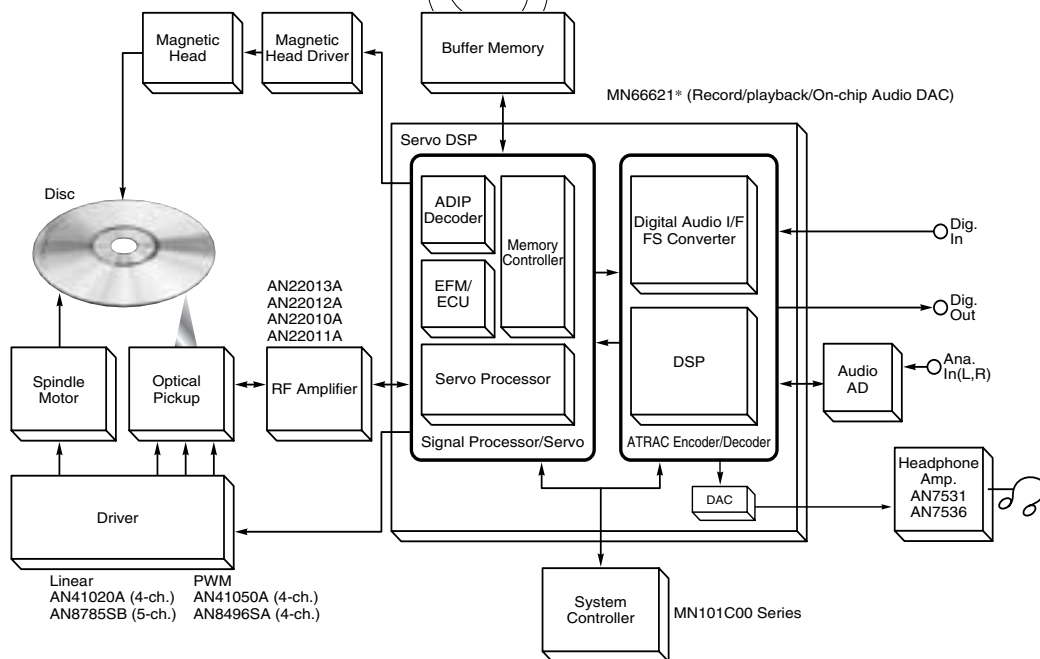
(3) Car Radio/Car Stereo/FM Multiplexer



Note) The transistors and diodes listed below can be used for the peripheral circuits in this block diagram.

- Transistor: 2SB1218A, 2SD1819A, UNR5000 (UN5000) Series
- Diode: MA2J729 (MA729), MA2YD15, MA3J142D (MA142WA), MA3J142E (MA142WK), MAZ8000 (MA8000) Series

(4) MD Recoder, Player (Recording/Playback)



*: MDLP

Note) The transistors and diodes listed below can be used for the peripheral circuits in this block diagram.

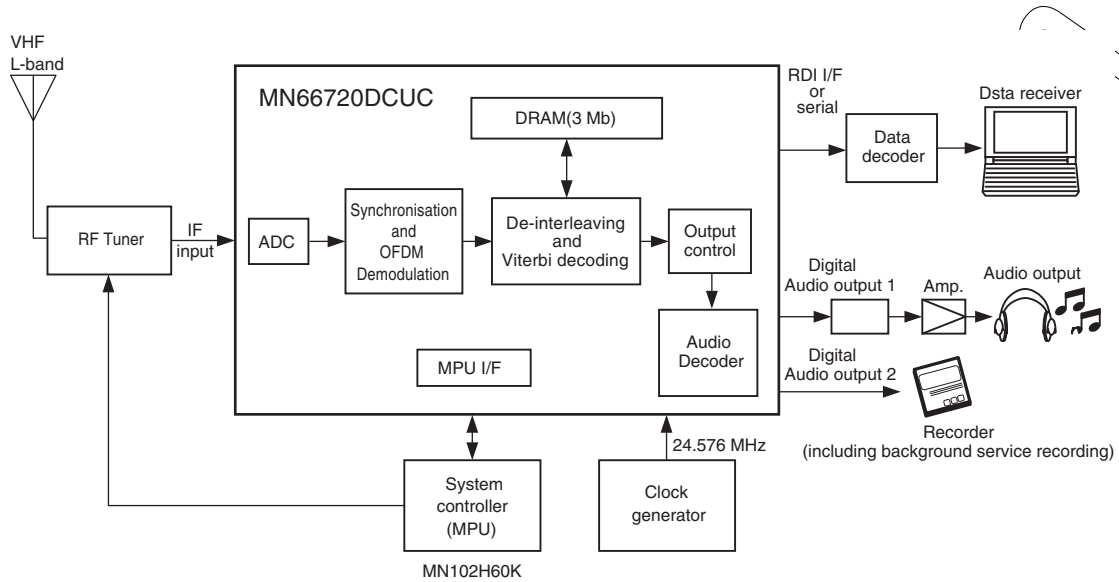
- Transistor: 2SB1462J, 2SD2216J, UNR9000 Series
- Diode: MA2S728, MA2YD15, MA3S132D (MA132WA), MA3S132E (MA132WK)

Note) In the figures, part numbers show the Matsushita unified part numbers. And the part numbers in parentheses show the conventional ones.

Application Block Diagrams

Audio Applications

(5) DAB Receiver



(6) SD Audio Recorder/Player (Recording/Playback)

